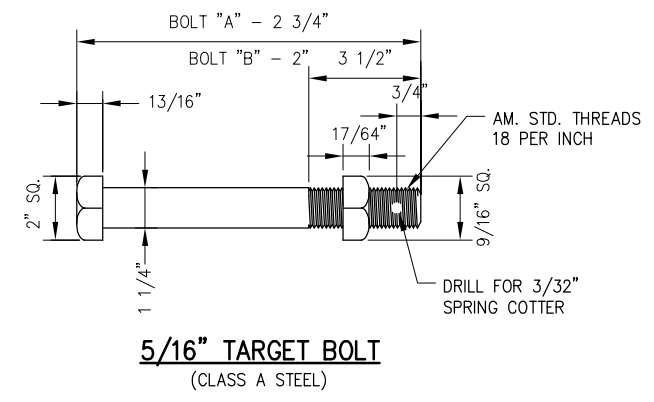
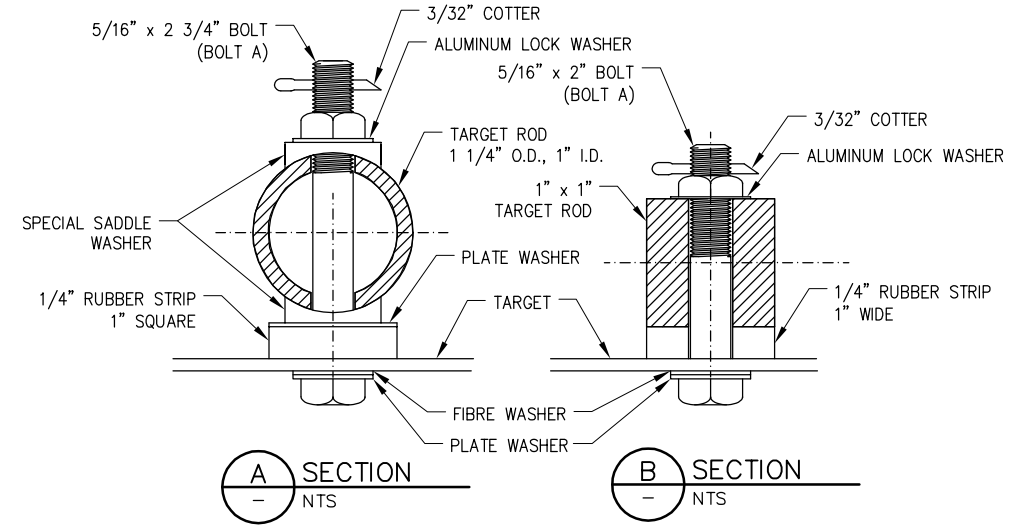


DERAILING SWITCH TARGET

TUBULAR TARGET ROD SQUARE TARGET ROD

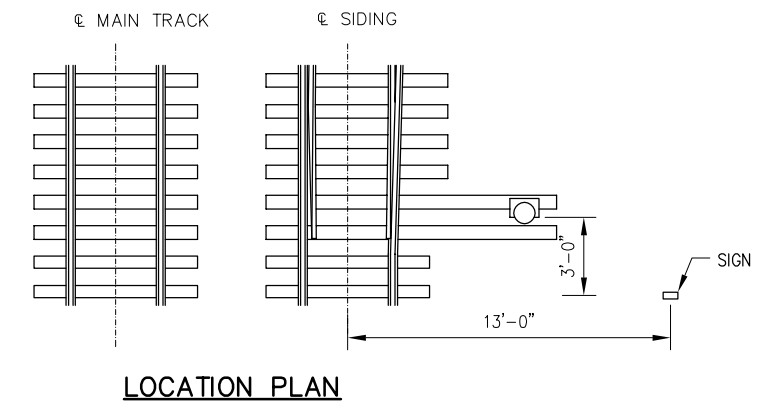


5/16" TARGET BOLT (CLASS A STEEL)

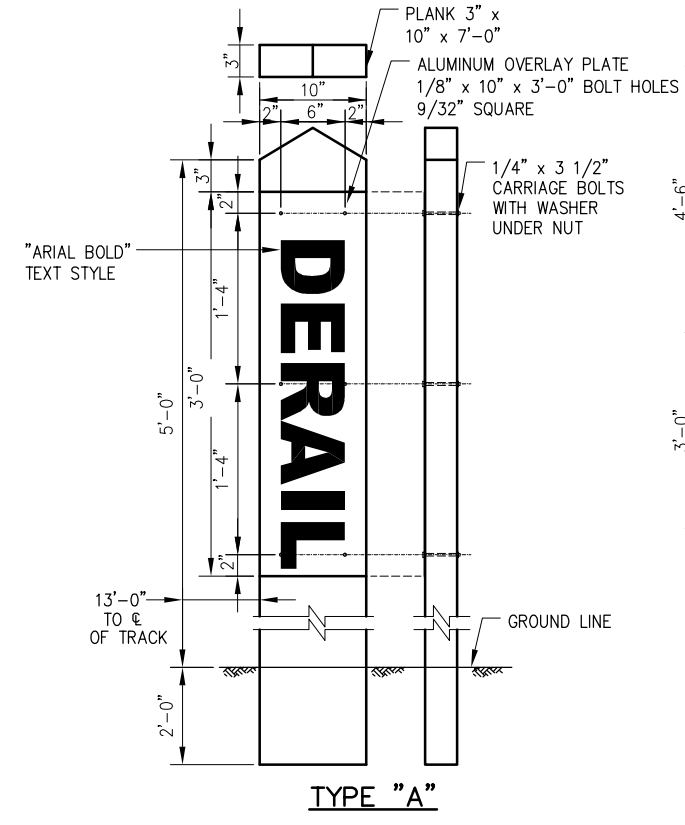


A SECTION NTS

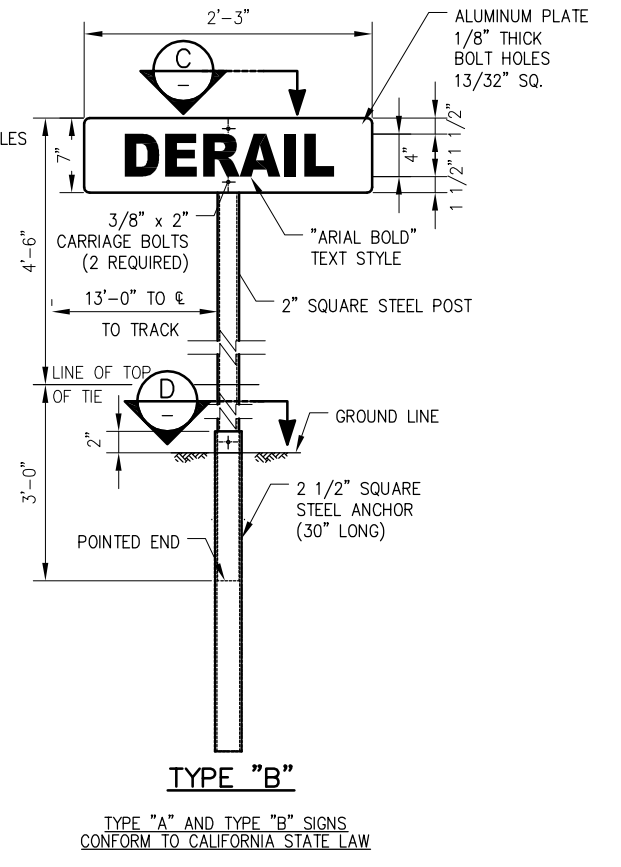
B SECTION NTS



LOCATION PLAN

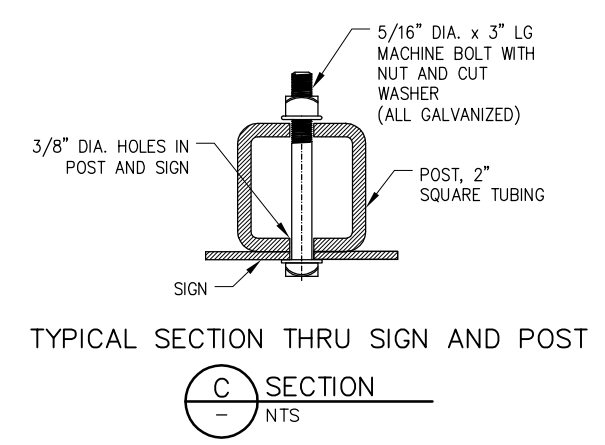


TYPE "A"



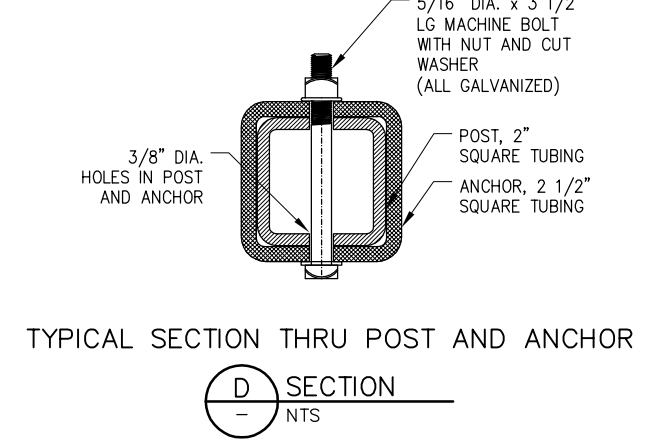
TYPE "B"

TYPE "A" AND TYPE "B" SIGNS CONFORM TO CALIFORNIA STATE LAW



TYPICAL SECTION THRU SIGN AND POST

C SECTION NTS





TYPICAL SECTION THRU POST AND ANCHOR


D SECTION NTS

REV	DATE	BY	CHK	APP	DESCRIPTION	REV	DATE	BY	CHK	APP	DESCRIPTION

PENINSULA CORRIDOR JOINT POWERS BOARD

APPROVED BY:



1250 San Carlos Avenue
San Carlos, CA 94070

STANDARD DRAWINGS

RIGHT-OF-WAY
SIGNAGE
ATTEND TO DERAILING
SWITCH AND DERAIL SIGNS

CADD FILE NO.: SD-9108

REV 0 DATE 093011

RIGHT-OF-WAY

STANDARD NO.: SD-9108