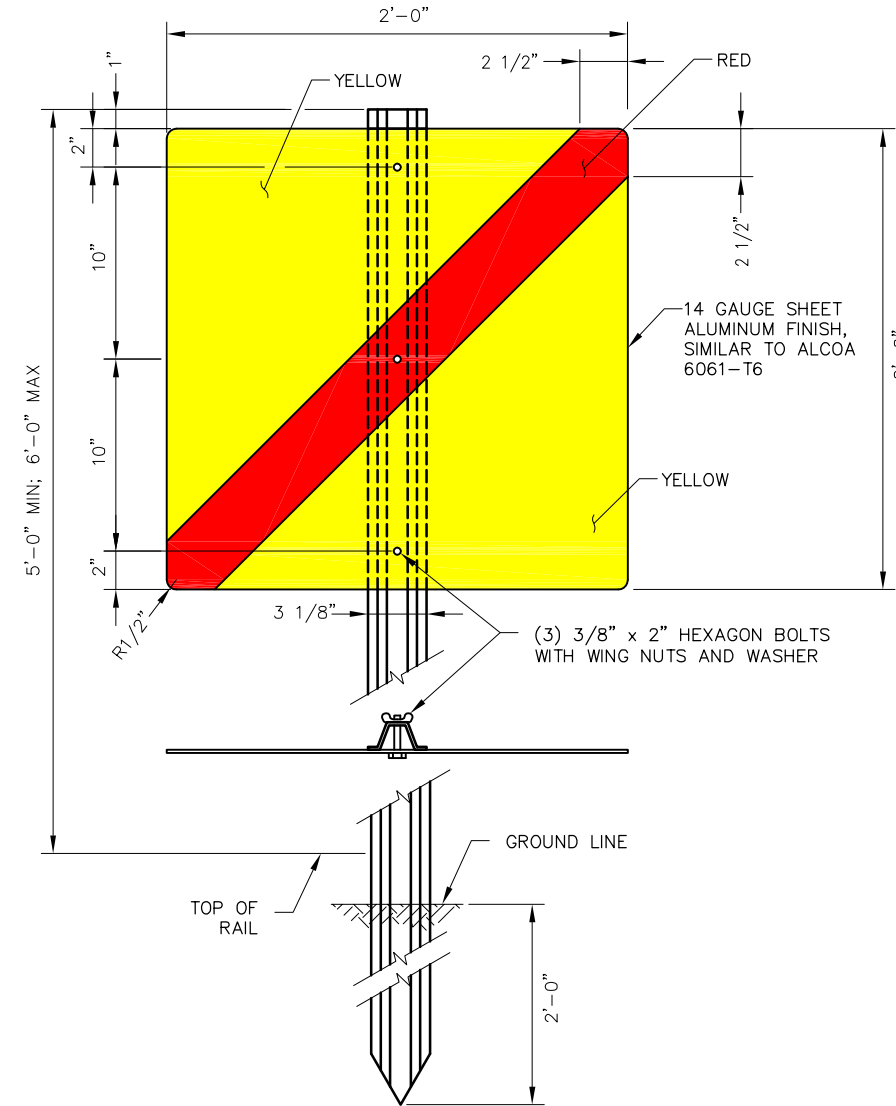


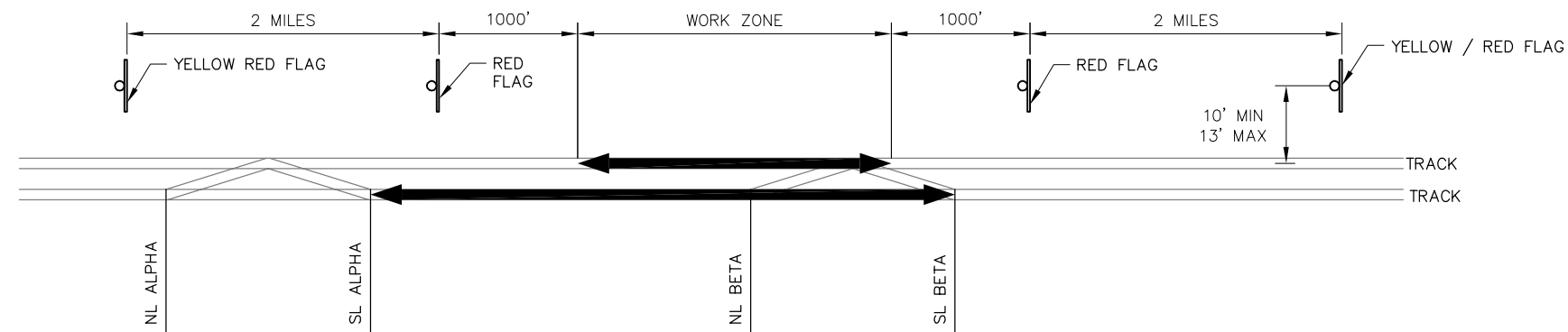
SOLID COLORED (RED, YELLOW, OR GREEN) FLAGS



YELLOW / RED FLAG

NOTES:

1. RED FLAGS SHALL BE DISPLAYED WHERE TRAINS MUST BE STOPPED IN ACCORDANCE WITH GENERAL CODE 5.4.7. FLAGS SHALL BE DISPLAYED TO THE RIGHT OF THE TRACK AS VIEWED FROM AN APPROACHING TRAIN, OR PLACED BETWEEN THE RAILS
2. YELLOW / RED FLAGS SHALL BE DISPLAYED 2 MILES BEFORE THE RESTRICTED AREA IN ACCORDANCE WITH GENERAL CODE 5.4.3. FLAGS SHALL BE DISPLAYED TO THE RIGHT OF THE TRACK AS VIEWED FROM AN APPROACHING TRAIN
3. YELLOW FLAGS SHALL BE DISPLAYED 2 MILES BEFORE THE RESTRICTED AREA IN ACCORDANCE WITH GENERAL CODE 5.4.3. FLAGS SHALL BE DISPLAYED TO THE RIGHT OF THE TRACK AS VIEWED FROM AN APPROACHING TRAIN
4. GREEN FLAGS SHALL BE DISPLAYED AT THE END OF THE LAST SPEED RESTRICTION IN ACCORDANCE WITH GENERAL CODE 5.4.5. FLAGS SHALL BE DISPLAYED TO THE RIGHT OF THE TRACK AS VIEWED FROM AN APPROACHING TRAIN
5. DISTANCE FROM CENTERLINE OF TRACK TO FLAG MUST NOT BE LESS THAN 10 FEET NOR MORE THAN 13 FEET
6. FLAGS SHALL BE MANUFACTURED FROM 14 GAUGE SHEET ALUMINUM MILL FINISH SIMILAR TO ALCOA 6061-T6. MOUNT WITH 3 3/8" X 2" HEXAGON BOLTS WITH WASHER AND WING NUT
7. FACE OF FLAGS SHALL BE COATED WITH WIDE ANGLE SCOTHLITE REFLECTIVE SHEETING
8. POST SHALL BE HOT DIPPED GALVANIZED STEEL (ASTM 526-690) "U" CHANNEL. POSTS FURNISHED WITH 3/8" HOLES ON 1" CENTERS FOR THE ENTIRE LENGTH OF THE POST AND A POINTED END. DIMENSIONS - DEPTH 1 7/16", WIDTH 3 1/16", THICKNESS 11 GAUGE






FORM B SIGN PLACEMENT & TRACK AND TIME LIMITS

REV	DATE	BY	CHK	APP	DESCRIPTION

PENINSULA CORRIDOR JOINT POWERS BOARD

APPROVED BY:



1250 San Carlos Avenue
San Carlos, CA 94070

STANDARD DRAWINGS

RIGHT-OF-WAY SIGNAGE

TEMPORARY TRACK CONDITIONS SIGNS

CADD FILE NO.: SD-9105

REV 0 DATE 093011

RIGHT-OF-WAY

STANDARD NO.: SD-9105