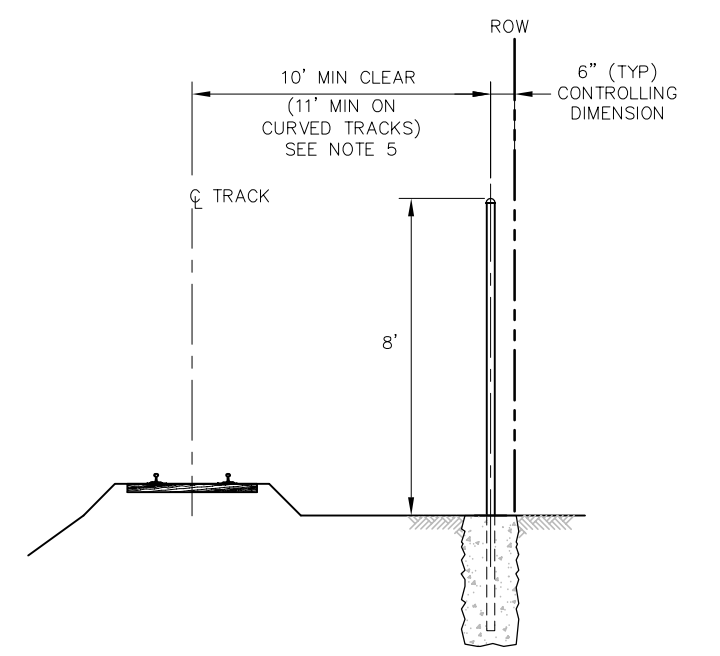


**EXPANDED METAL MESH FENCE WITH DOUBLE SWING GATE**

**EXPANDED METAL MESH FENCE WITH SINGLE SWING GATE**

**NOTES**

1. FENCE MESH SHALL BE SECURA 13 GAGE (REGULAR) WITH MESH DIAMOND SIZE 0.500" X 1.200" WITH MINIMUM 24 DIAMONDS PER LINEAR FOOT OR ENGINEER APPROVED EQUAL
2. EXPANDED METAL MESH FENCE AND FITTING SHALL BE HOT DIPPED GALVANIZED
3. QUANTITY/SIZE AND TYPE OF FASTENERS AND FITTINGS SHALL BE AS PER THE MANUFACTURER'S RECOMMENDATION
4. ALL NUT TYPE FASTENERS SHALL BE TACK-WELDED TO BOLTS AFTER TIGHTENING
5. USE OF MINIMUM DIMENSION REQUIRES PRIOR APPROVAL OF DEPUTY CHIEF OF ENGINEERING



**FENCE LOCATION (TYP ALL ROW FENCES)**

REV	DATE	BY	CHK	APP	DESCRIPTION

**PENINSULA CORRIDOR JOINT POWERS BOARD**

APPROVED BY:

  
 ENGINEERING MANAGER

  
 DEPUTY DIRECTOR OF ENGINEERING

  
 1250 San Carlos Avenue  
 San Carlos, CA 94070

STANDARD DRAWINGS		CADD FILE NO.:
RIGHT-OF-WAY FENCE HIGH SECURITY AREA EXPANDED METAL MESH FENCE		SD-9003
REV	DATE	
0	093011	
STANDARD NO.:		SD-9003