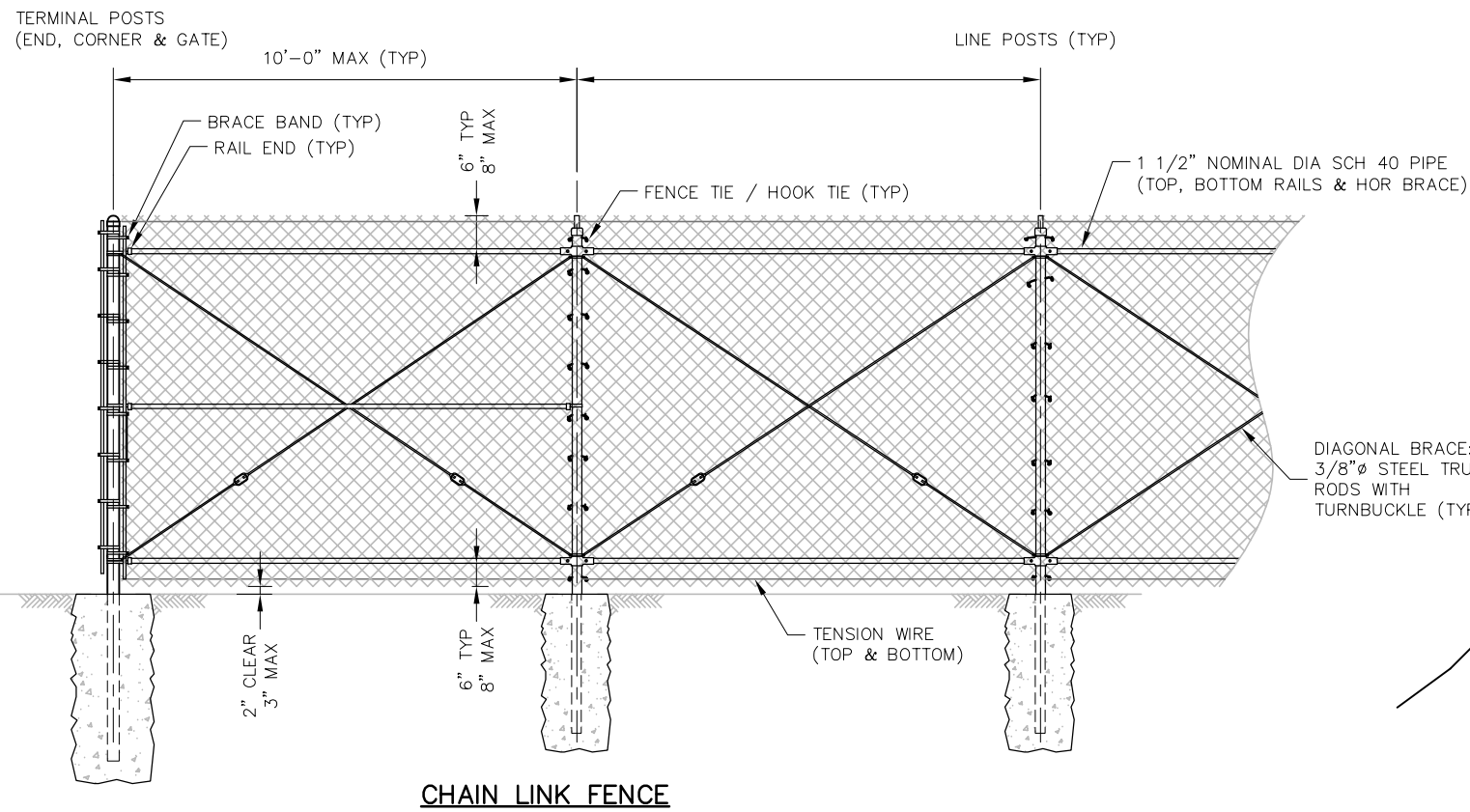
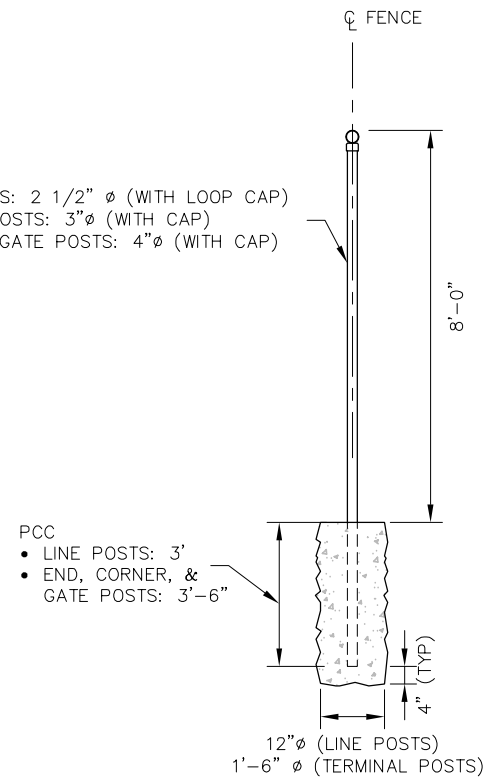


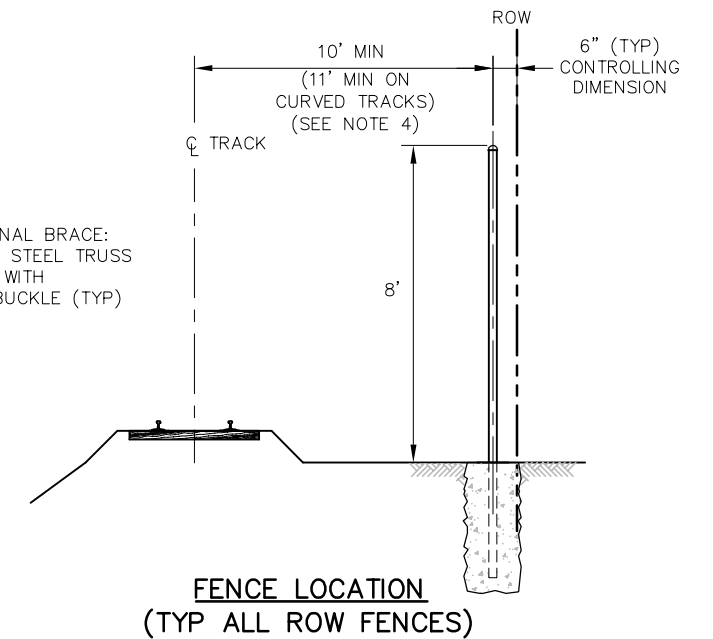
- LINE POSTS: 2 1/2" ϕ (WITH LOOP CAP)
- CORNER POSTS: 3" ϕ (WITH CAP)
- END AND GATE POSTS: 4" ϕ (WITH CAP)

- PCC
- LINE POSTS: 3'
 - END, CORNER, & GATE POSTS: 3'-6"

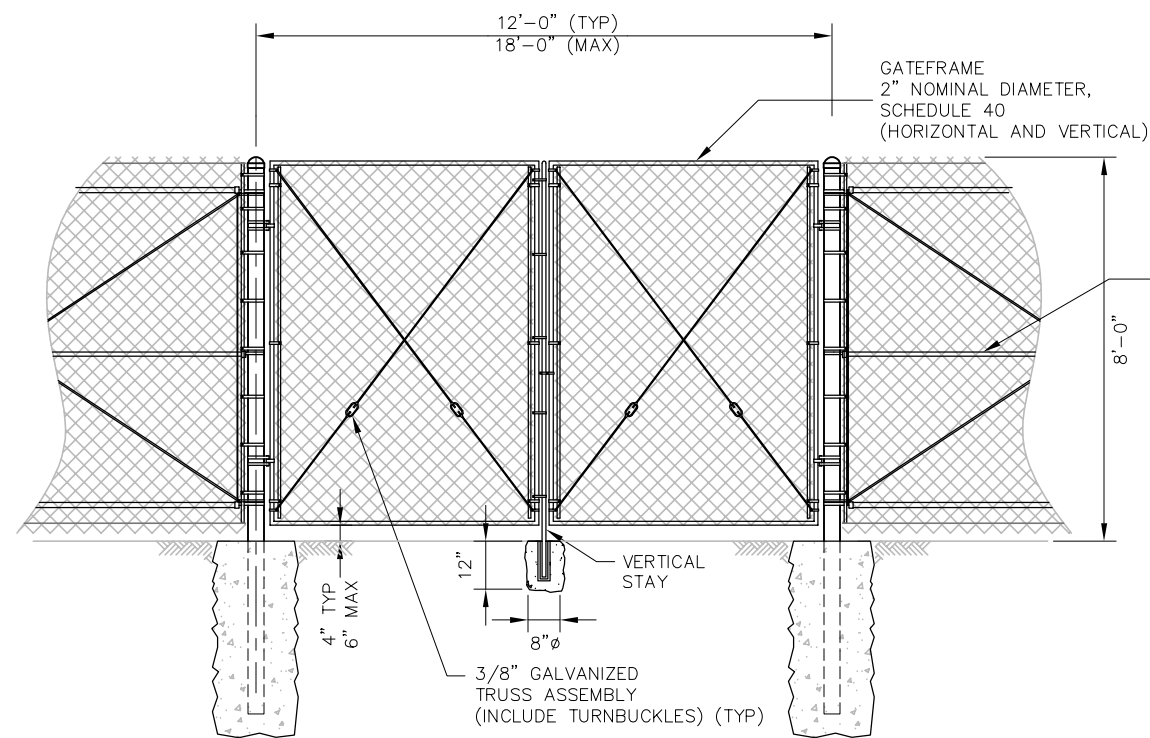


CHAIN LINK FENCE

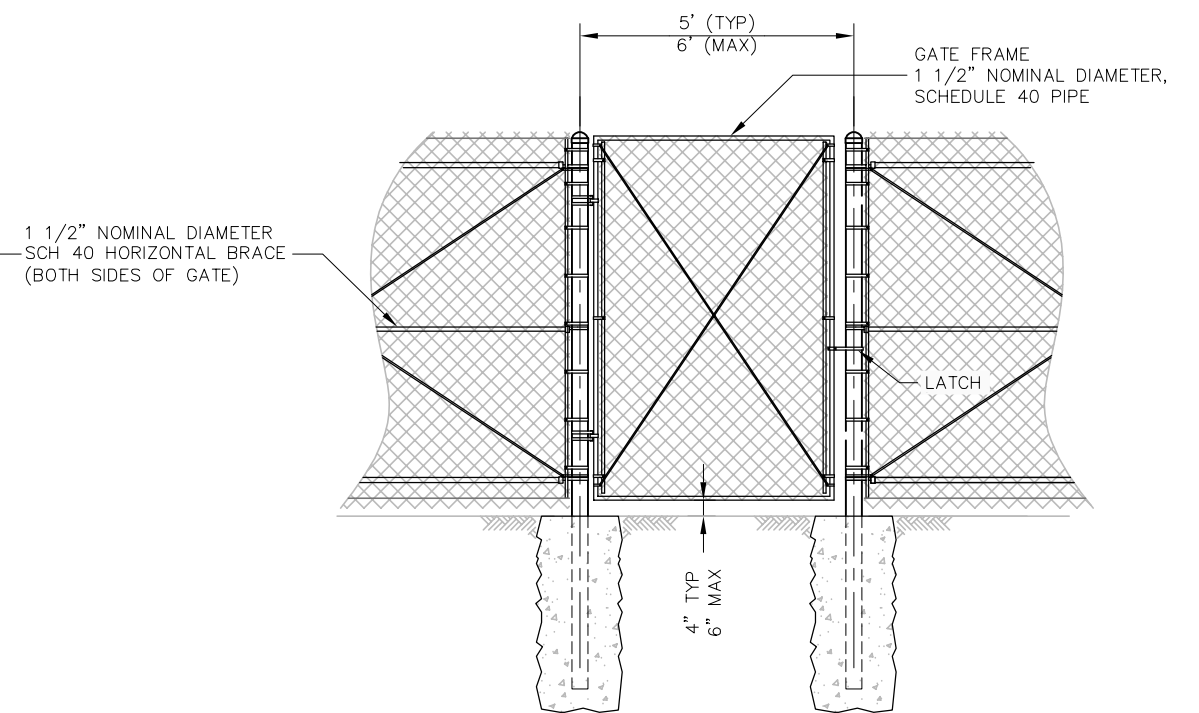
- NOTES:**
1. WIRE SHALL BE 9 GA. MIN
 2. ALL METAL SHALL BE HOT-DIPPED GALVANIZED
 3. ALL PIPES NOMINAL DIAMETER ARE SCHEDULE 40
 4. USE OF MINIMUM DIMENSION REQUIRES PRIOR APPROVAL OF DEPUTY DIRECTOR OF ENGINEERING



**FENCE LOCATION
(TYP ALL ROW FENCES)**



CHAIN LINK FENCE DOUBLE SWING GATE

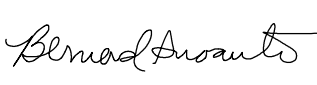




CHAINLINK SINGLE SWING GATE

REV	DATE	BY	CHK	APP	DESCRIPTION

PENINSULA CORRIDOR JOINT POWERS BOARD

APPROVED BY:



1250 San Carlos Avenue
San Carlos, CA 94070

STANDARD DRAWINGS		CADD FILE NO.:
RIGHT-OF-WAY FENCE INDUSTRIAL AREA CHAIN LINK FENCE		SD-9002
REV	DATE	
0	093011	
STANDARD NO.:		SD-9002