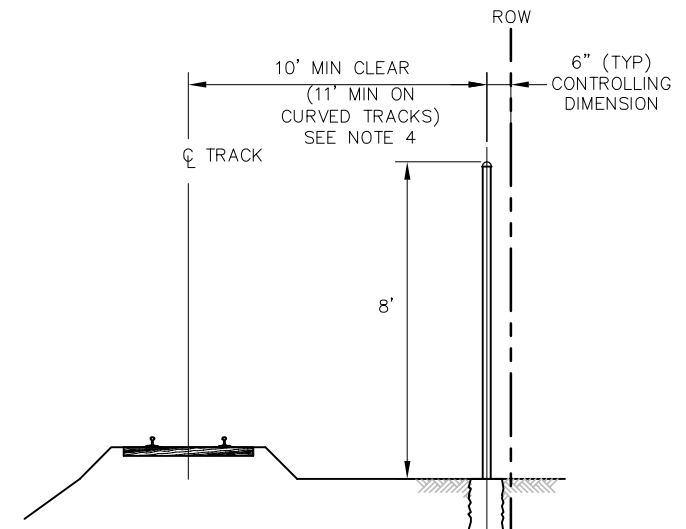
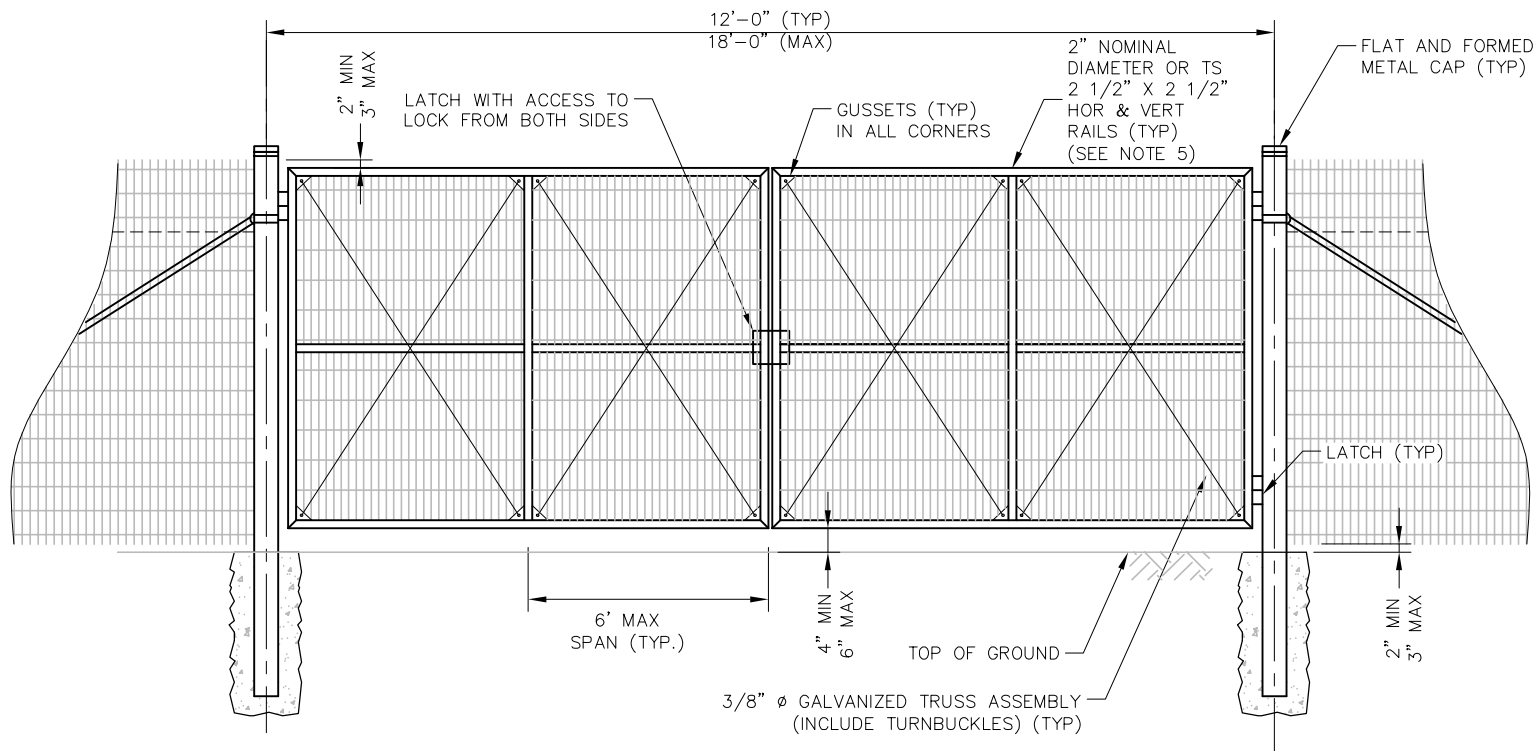


**WELDED WIRE MESH FENCE PANELS**

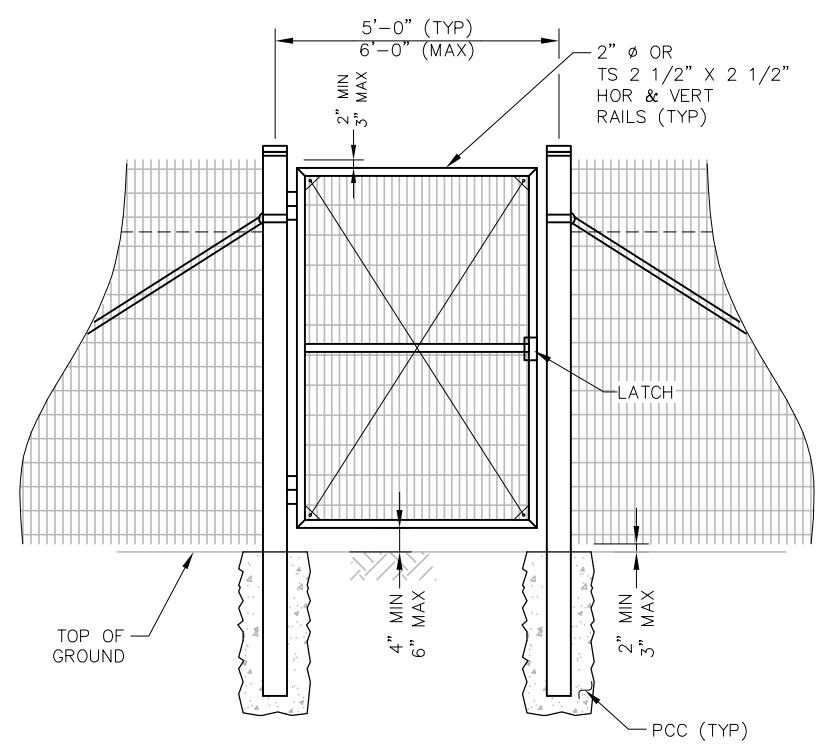
- NOTES:**
1. WELDED WIRE MESH SHALL BE TYPHOON, HOT DIPPED GALVANIZED, BY SECURE TECHNOLOGY, INC. OR TRANSAFE BY CE SHEPPARD
  2. QUANTITY/SIZE AND TYPE OF FASTENERS, HAT BRACKETS AND GAUGE TIES SHALL BE AS PER THE MANUFACTURERS RECOMMENDATIONS.
  3. FOUNDATION PCC SHALL BE 4,000 PSI MIN @ 28 DAYS
  4. USE OF MINIMUM DIMENSION REQUIRE PRIOR APPROVAL OF DEPUTY DIRECTOR OF ENGINEERING
  5. TUBULAR MEMBERS ARE ACCEPTABLE ONLY IF COMPATIBLE TO WIRE MESH INSTALLATION AND APPROVED BY MANUFACTURER



**FENCE LOCATION  
(TYP ALL ROW FENCES)**



**WELDED WIRE MESH DOUBLE SWING GATE**





**WELDED WIRE MESH SINGLE SWING GATE**

REV	DATE	BY	CHK	APP	DESCRIPTION

**PENINSULA CORRIDOR JOINT POWERS BOARD**

APPROVED BY:

ENGINEERING MANAGER      DEPUTY DIRECTOR OF ENGINEERING



STANDARD DRAWINGS		CADD FILE NO.:
RIGHT-OF-WAY FENCE RESIDENTIAL AREA WELDED WIRE MESH FENCE		SD-9001
REV	DATE	
0	093011	
STANDARD NO.:		SD-9001