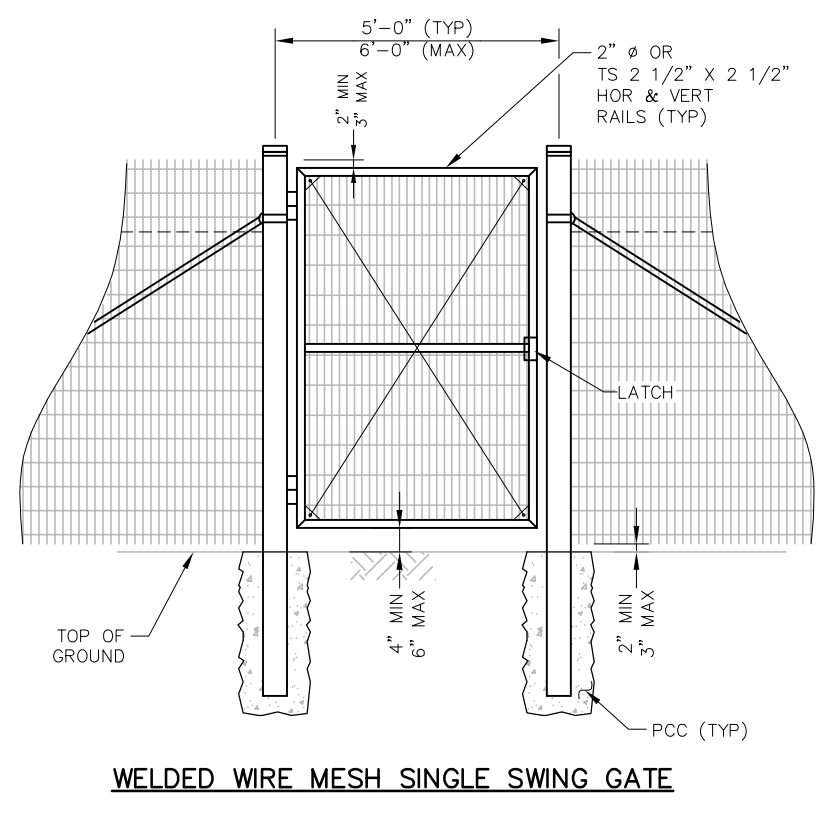
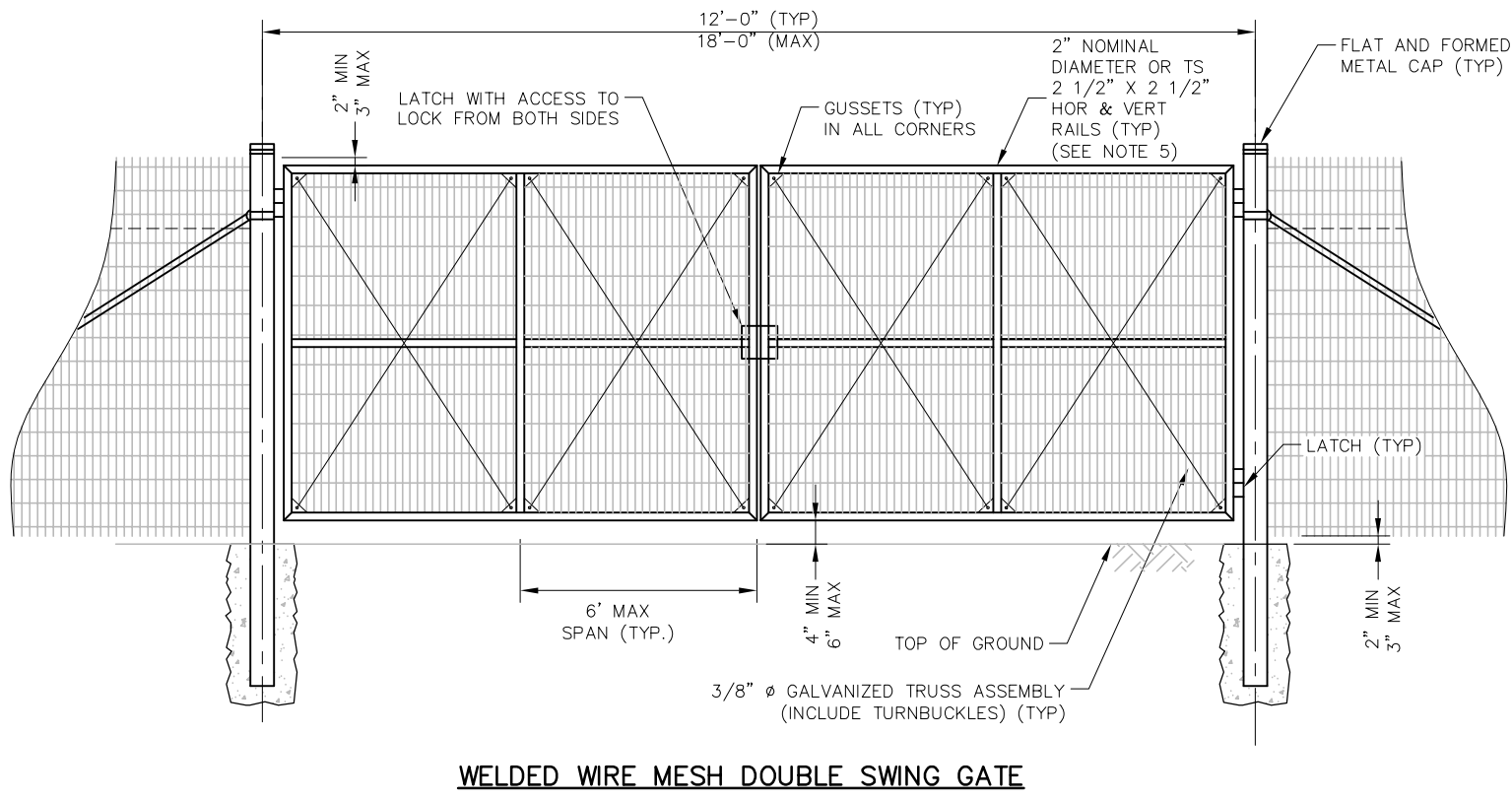
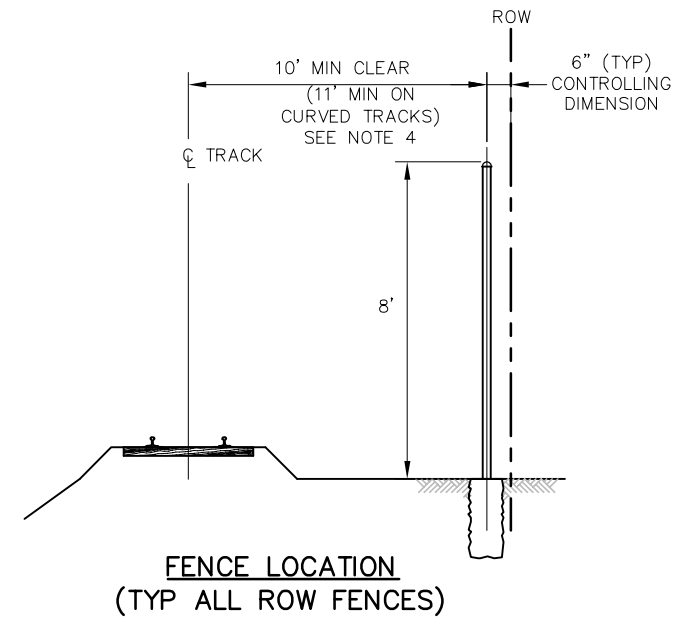


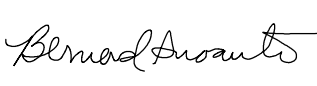

- NOTES:**
1. WELDED WIRE MESH SHALL BE TYPHOON, HOT DIPPED GALVANIZED, BY SECURE TECHNOLOGY, INC. OR TRANSAFE BY CE SHEPPARD
 2. QUANTITY/SIZE AND TYPE OF FASTENERS, HAT BRACKETS AND GAUGE TIES SHALL BE AS PER THE MANUFACTURERS RECOMMENDATIONS.
 3. FOUNDATION PCC SHALL BE 4,000 PSI MIN @ 28 DAYS
 4. USE OF MINIMUM DIMENSION REQUIRE PRIOR APPROVAL OF DEPUTY DIRECTOR OF ENGINEERING
 5. TUBULAR MEMBERS ARE ACCEPTABLE ONLY IF COMPATIBLE TO WIRE MESH INSTALLATION AND APPROVED BY MANUFACTURER




REV	DATE	BY	CHK	APP	DESCRIPTION

PENINSULA CORRIDOR JOINT POWERS BOARD

APPROVED BY:

ENGINEERING MANAGER DEPUTY DIRECTOR OF ENGINEERING

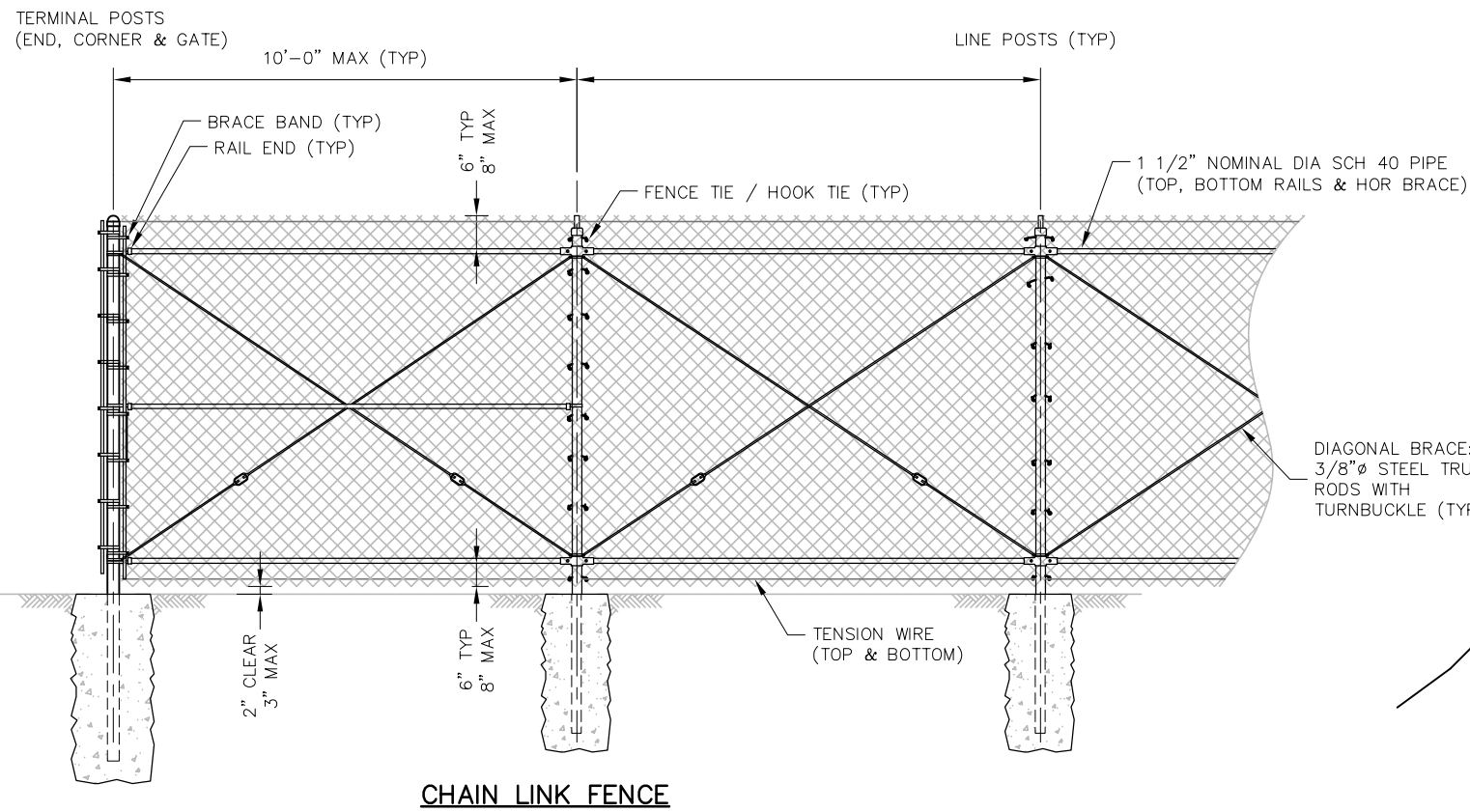
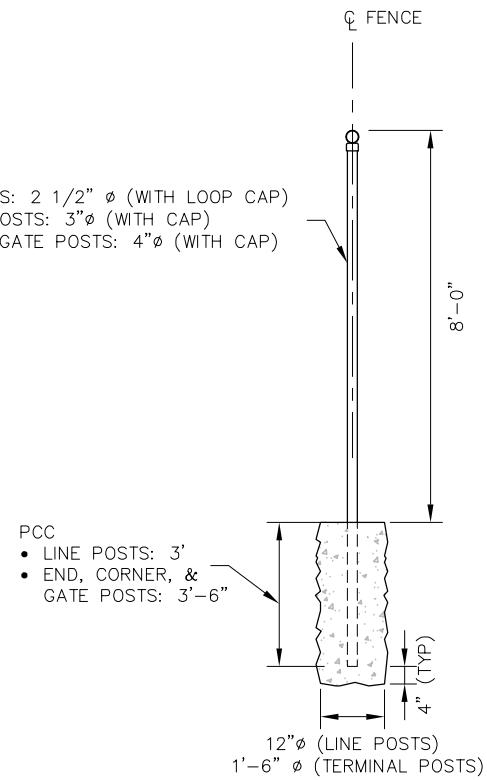


1250 San Carlos Avenue
 San Carlos, CA 94070

STANDARD DRAWINGS		CADD FILE NO.:
RIGHT-OF-WAY FENCE RESIDENTIAL AREA WELDED WIRE MESH FENCE		SD-9001
REV	DATE	
0	093011	
STANDARD NO.:		SD-9001

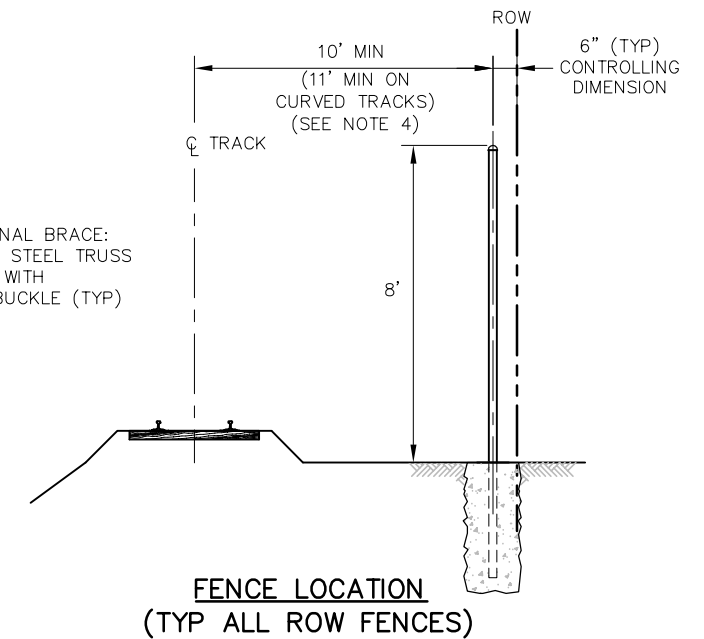
- LINE POSTS: 2 1/2" ϕ (WITH LOOP CAP)
- CORNER POSTS: 3" ϕ (WITH CAP)
- END AND GATE POSTS: 4" ϕ (WITH CAP)

- PCC
- LINE POSTS: 3'
 - END, CORNER, & GATE POSTS: 3'-6"

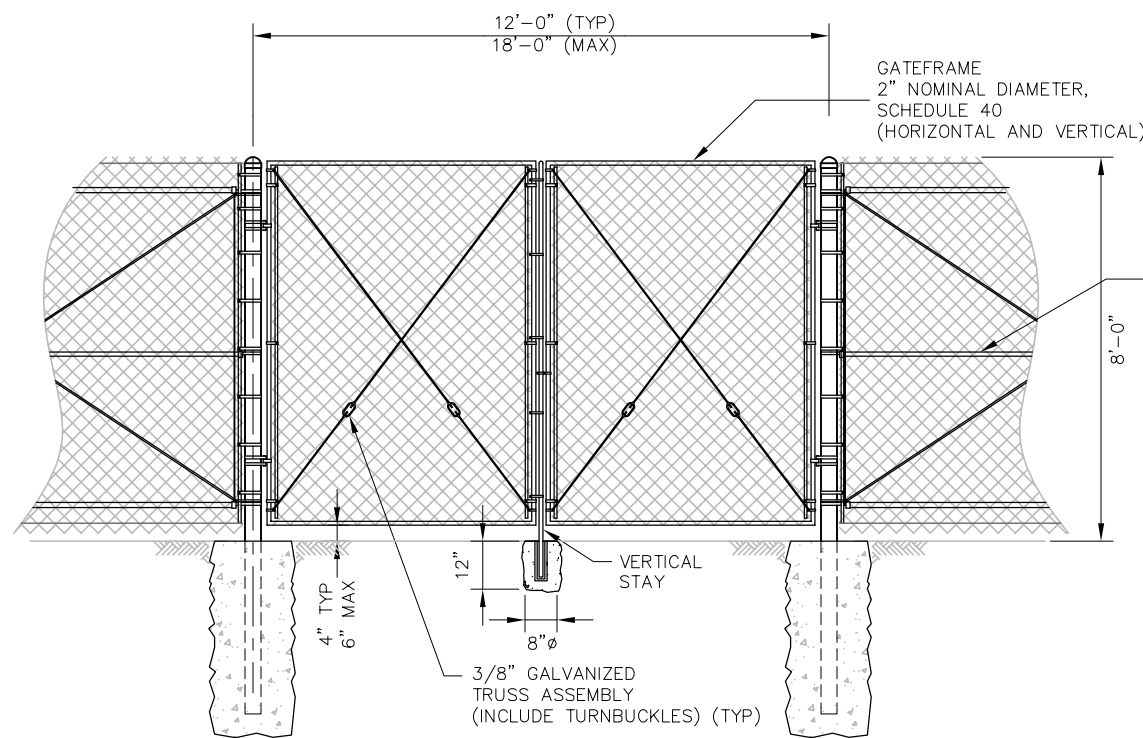


CHAIN LINK FENCE

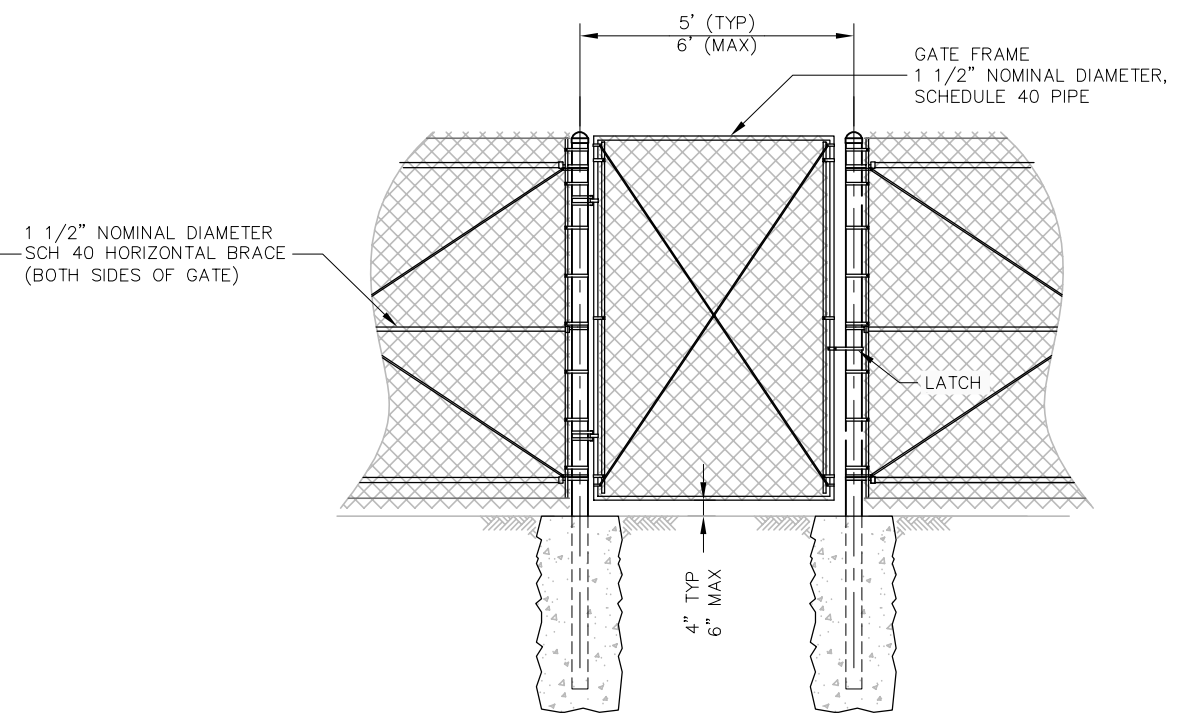
- NOTES:**
1. WIRE SHALL BE 9 GA. MIN
 2. ALL METAL SHALL BE HOT-DIPPED GALVANIZED
 3. ALL PIPES NOMINAL DIAMETER ARE SCHEDULE 40
 4. USE OF MINIMUM DIMENSION REQUIRES PRIOR APPROVAL OF DEPUTY DIRECTOR OF ENGINEERING



**FENCE LOCATION
(TYP ALL ROW FENCES)**



CHAIN LINK FENCE DOUBLE SWING GATE

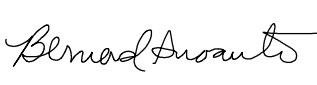



CHAINLINK SINGLE SWING GATE


REV	DATE	BY	CHK	APP	DESCRIPTION

PENINSULA CORRIDOR JOINT POWERS BOARD

APPROVED BY:

ENGINEERING MANAGER DEPUTY DIRECTOR OF ENGINEERING



1250 San Carlos Avenue
 San Carlos, CA 94070

STANDARD DRAWINGS		CADD FILE NO.:
RIGHT-OF-WAY FENCE INDUSTRIAL AREA CHAIN LINK FENCE		SD-9002
REV	DATE	
0	093011	
STANDARD NO.:		SD-9002

