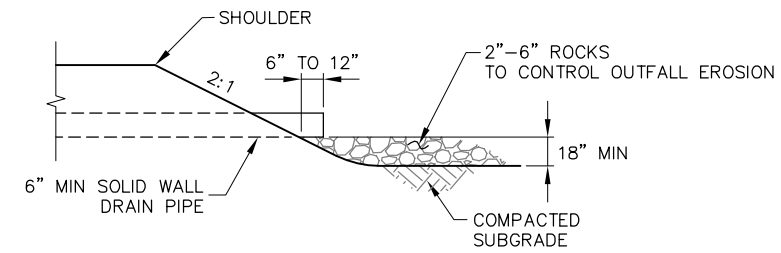
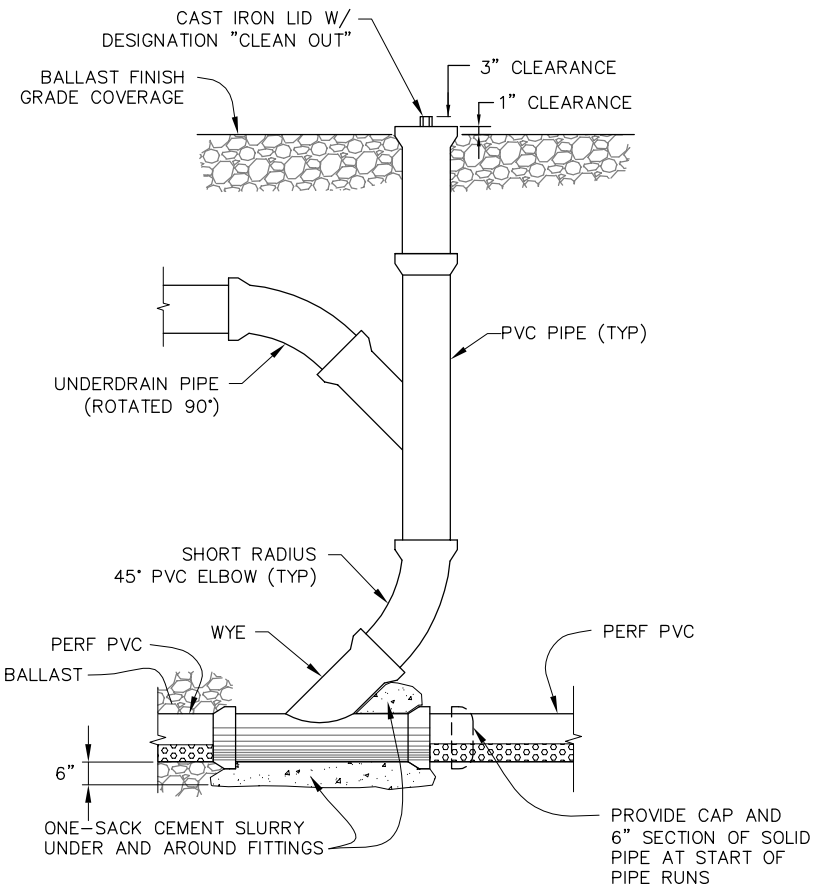


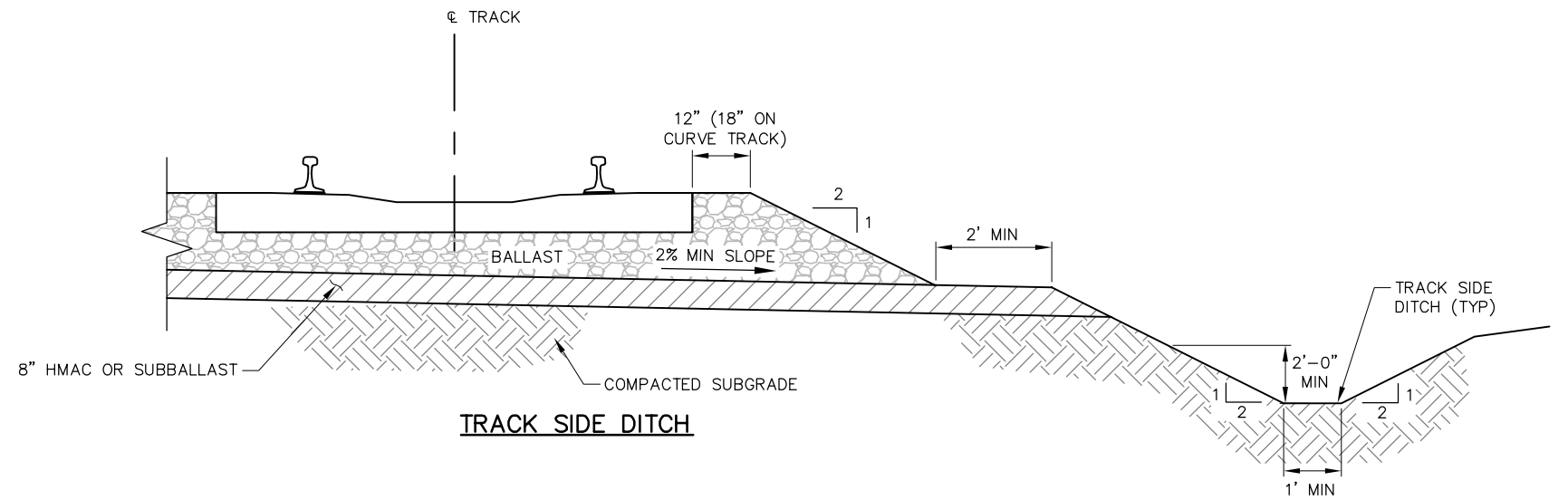
**TRACK UNDERDRAIN
(STATIONS & AT-GRADE CROSSINGS)**



UNDERDRAIN OUTFALL



TYPICAL PERFORATED DRAIN CLEANOUT

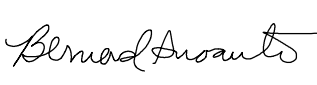




TRACK SIDE DITCH

REV	DATE	BY	CHK	APP	DESCRIPTION

PENINSULA CORRIDOR JOINT POWERS BOARD

APPROVED BY:



1250 San Carlos Avenue
San Carlos, CA 94070

STANDARD DRAWINGS

CIVIL ENGINEERING
DRAINAGE
TRACK UNDERDRAIN AND
TRACK SIDE DITCH DETAILS

CADD FILE NO.: SD-8101	
REV 0	DATE 093011
CIVIL	
STANDARD NO.: SD-8101	