

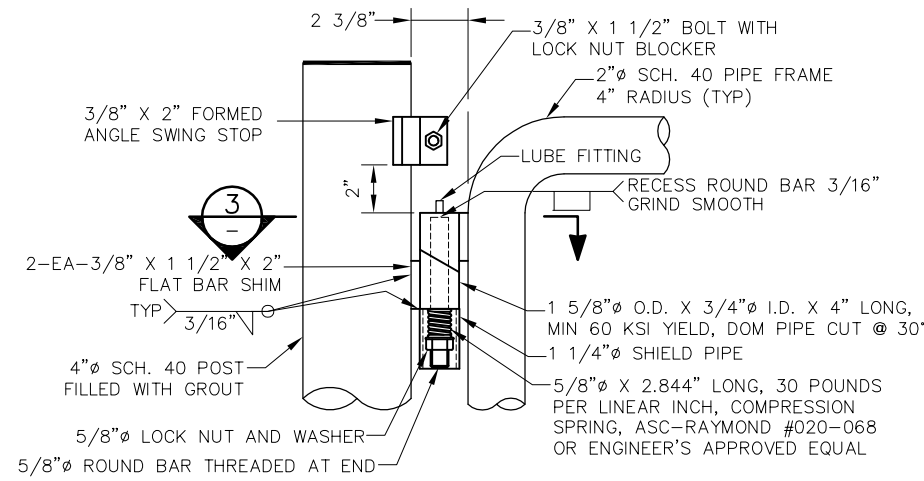
**FRONT VIEW  
SWING GATE**

**NOTES:**

1. ALL MATERIAL (EXCEPT SIGN PANELS) SHALL BE HOT GALVANIZED AFTER FABRICATION AND PAINTED FEDERAL SAFETY YELLOW (FS 33538)
2. TAMPER PROOF BOLTS ON SIGN PANELS.

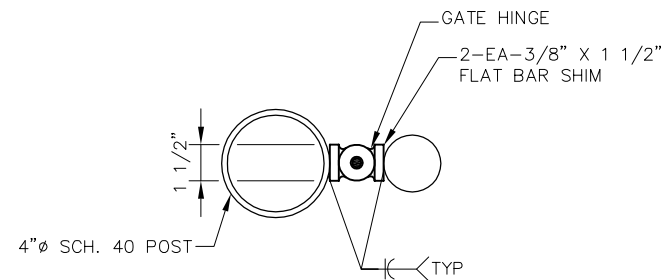
**WORKMANSHIP:**

1. POSTS, GATE, HINGES ACCURATELY IN POSITION, PLUMBED, LEVELED, SQUARED, AND ALIGNED. PROPER FUNCTIONING OF GATE REQUIRES HIGH LEVEL OF WORKMANSHIP.
2. FABRICATE A COMPLETE MOCK-UP SET FOR ENGINEER'S APPROVAL. APPROVED SET SERVES AS THE STANDARDS OF QUALITY FOR OTHER SETS.



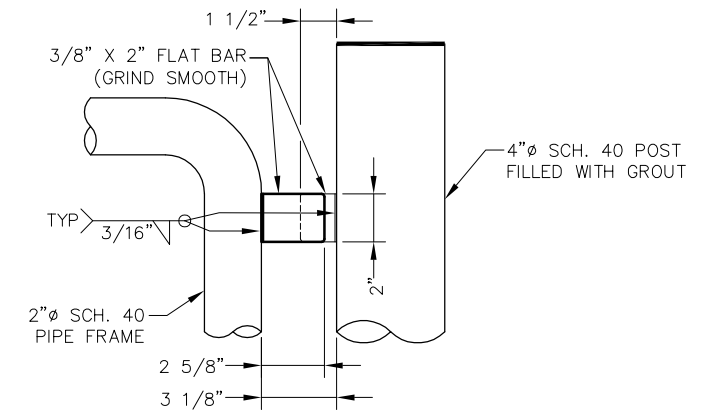
**HINGE FRONT VIEW**

**1 DETAIL  
NTS**



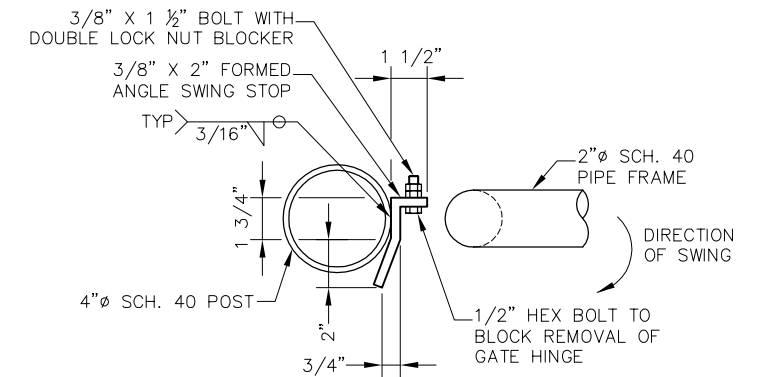
**HINGE TOP VIEW**

**3 DETAIL  
NTS**



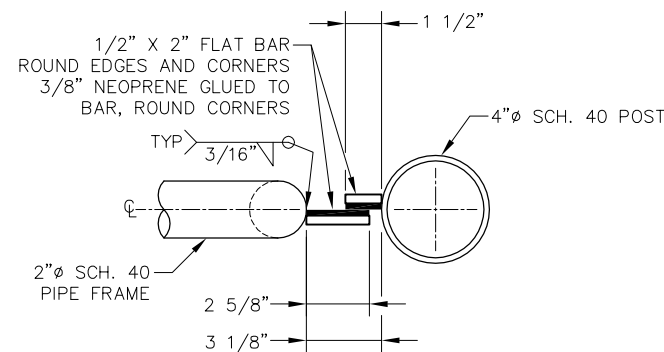
**GATE STOP FRONT VIEW**

**2 DETAIL  
NTS**



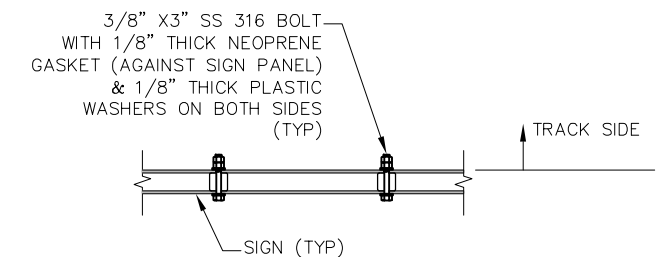
**SWING STOP TOP VIEW**

**4 DETAIL  
NTS**



**GATE STOP TOP VIEW**

**5 DETAIL  
NTS**



**SIGN MOUNTING**

**6 DETAIL  
NTS**

**PENINSULA CORRIDOR JOINT POWERS BOARD**

APPROVED BY:

*Bernard Anzures* *Steph Chen*  
ENGINEERING MANAGER DEPUTY DIRECTOR OF ENGINEERING



**STANDARD DRAWINGS**

GRADE CROSSINGS  
PEDESTRIAN CROSSING  
GATE, RAILING, AND SIGNAGE  
SHEET 1 OF 2

|                        |             |
|------------------------|-------------|
| CADD FILE NO.: SD-7005 |             |
| REV 0                  | DATE 093011 |
| GRADE CROSSINGS        |             |
| STANDARD NO.: SD-7005  |             |

| REV | DATE | BY | CHK | APP | DESCRIPTION |
|-----|------|----|-----|-----|-------------|
|     |      |    |     |     |             |
|     |      |    |     |     |             |
|     |      |    |     |     |             |
|     |      |    |     |     |             |