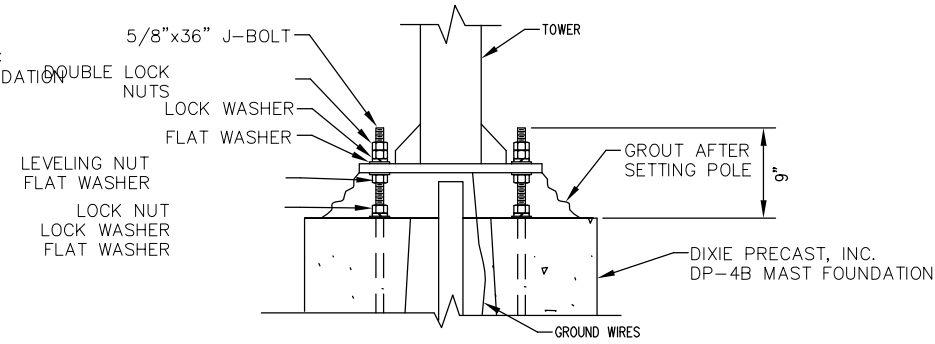
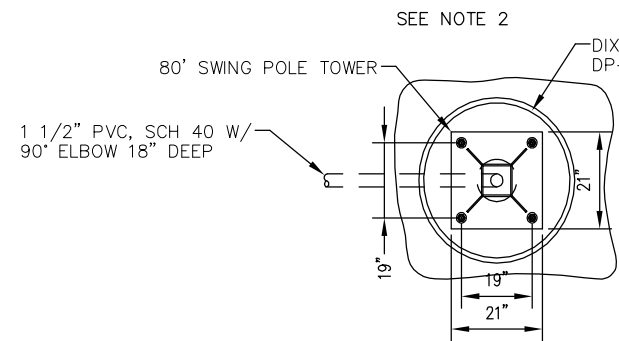


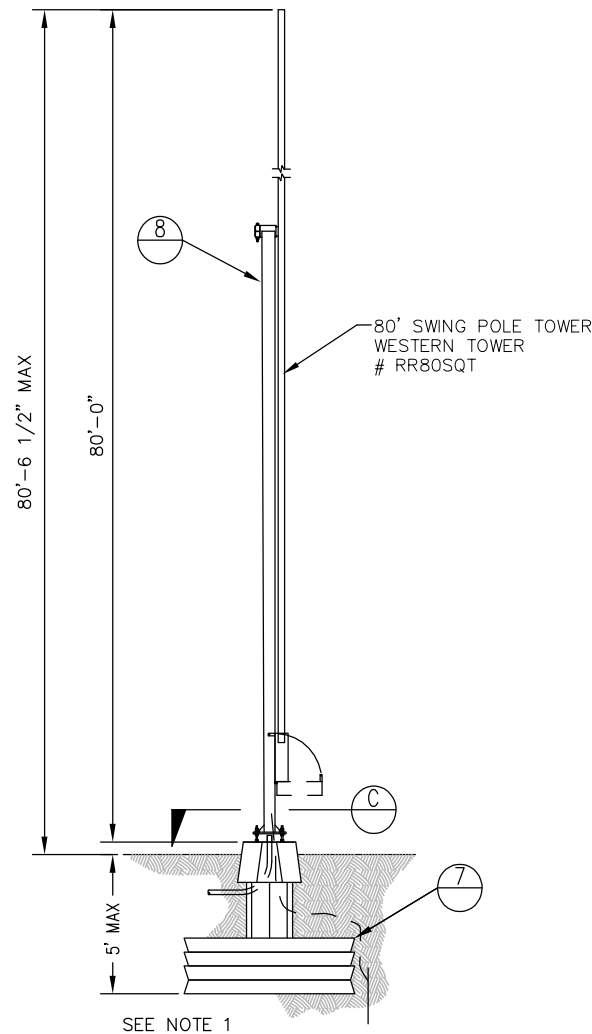
NOTES:

- FOOTING PER WESTERN TOWERS PLAN. DIXIE PRECAST, INC. DP-4B 4 BOLT SINGLE MAST CANTILEVER FOUNDATION
- CONCRETE PER CALTRANS STANDARDS
 $f'_c = 3,250$ PSI
 $f_y = 40,000$ PSI
- WESTERN TOWERS FOUNDATION CAGE
 #4 SPIRAL WITH 6" PITCH
 6 #5 VERTICAL
- ELECTRICAL ENGINEER'S SIGNATURE CERTIFIES ONLY THE ELECTRICAL SHOWN ON THIS SHEET. CIVIL STRUCTURE IS CERTIFIED SEPARATELY
- THIS TOWER AND FOUNDATION USED AT CP COMMON STREET AND CP TUNNEL

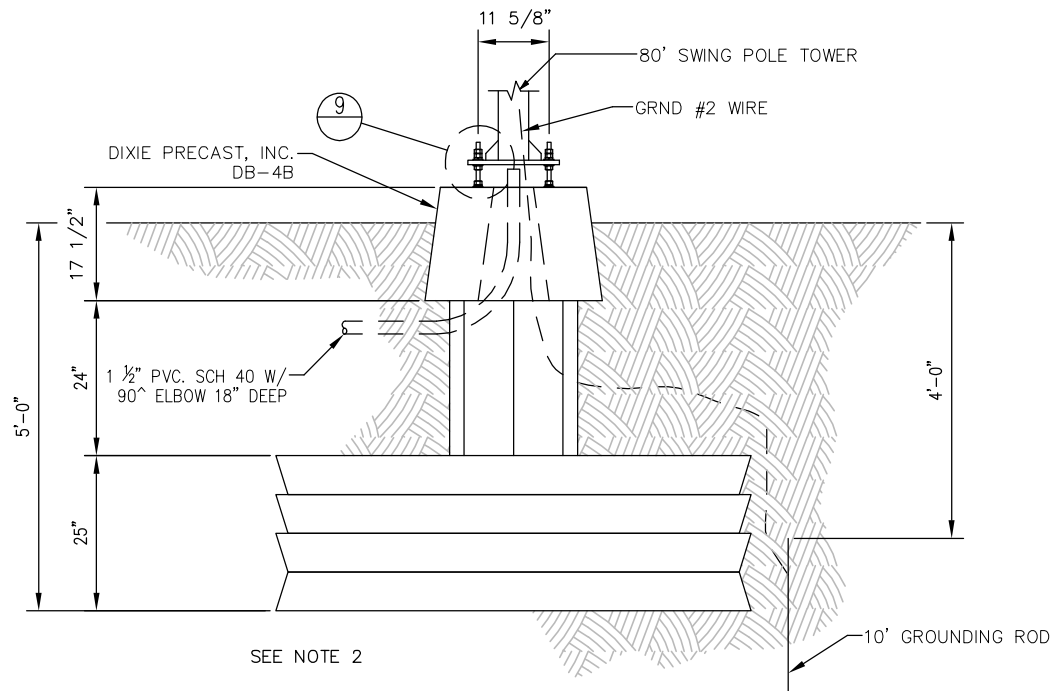


SECTION C
NTS

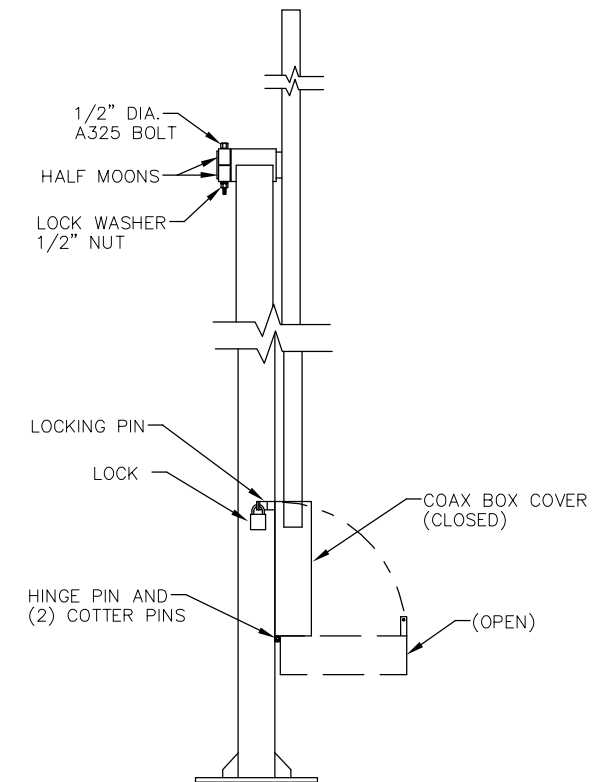
DETAIL 9
NTS



TOWER ELEVATION AND FOUNDATION
NTS



FOUNDATION DETAIL 7
NTS

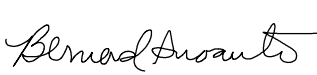



TOWER DETAIL 8
NTS


REV	DATE	BY	CHK	APP	DESCRIPTION	REV	DATE	BY	CHK	APP	DESCRIPTION

PENINSULA CORRIDOR JOINT POWERS BOARD

APPROVED BY:

ENGINEERING MANAGER DEPUTY DIRECTOR OF ENGINEERING



1250 San Carlos Avenue
 San Carlos, CA 94070

STANDARD DRAWINGS

TRAIN CONTROL COMMUNICATION
 ATCS (DATA) RADIO SYSTEM
 80 FOOT TILT-DOWN TOWER
 FOUNDATION DETAILS

CADD FILE NO.:	SD-6702
REV	DATE
0	093011
TRAIN CONTROL	
STANDARD NO.:	SD-6702