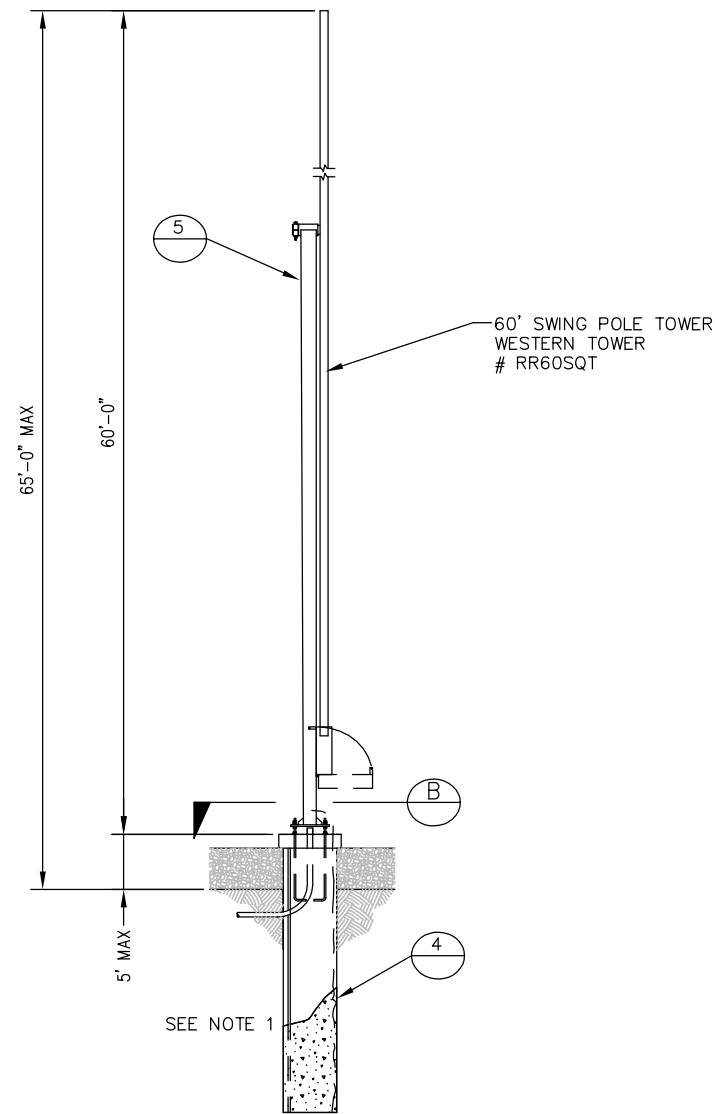
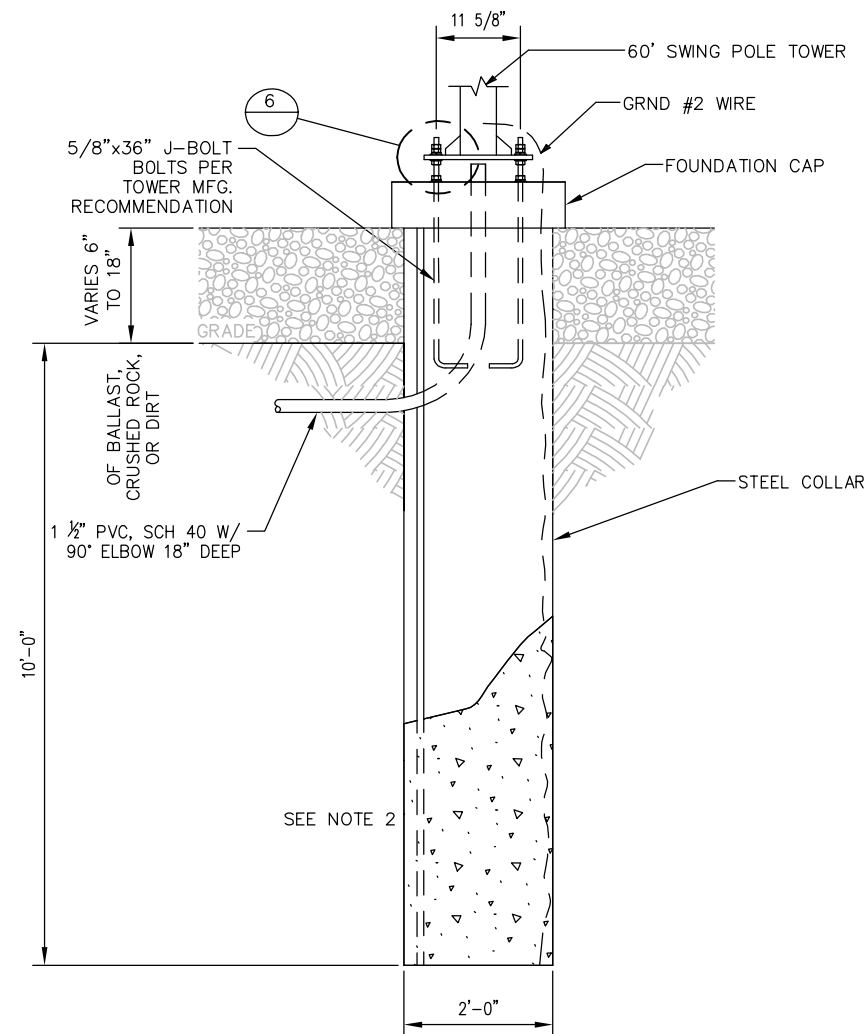


NOTES:

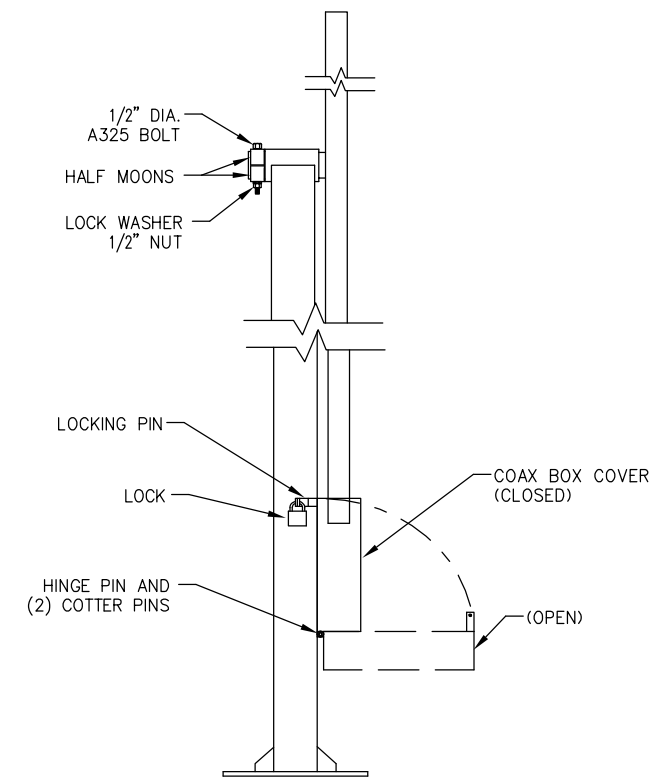
1. FOOTING PER WESTERN TOWERS PLAN
2. CONCRETE PER CALTRANS STANDARDS
 $f'_c = 3,250 \text{ PSI}$
 $f_y = 40,000 \text{ PSI}$
3. WESTERN TOWERS FOUNDATION CAGE
 #4 SPIRAL WITH 6" PITCH
 6 #5 VERTICAL
4. ELECTRICAL ENGINEER'S SIGNATURE CERTIFIES ONLY THE ELECTRICAL SHOWN ON THIS SHEET. CIVIL STRUCTURE ENGINEER CERTIFIES THE FOUNDATION
5. THIS TOWER AND FOUNDATION USED AT CP BRISBANE, CP SIERRA, CP MAYFIELD, CP MARY AND CP HENDY



TOWER ELEVATION AND FOUNDATION
NTS



FOUNDATION DETAIL
NTS



TOWER DETAIL
NTS

REV	DATE	BY	CHK	APP	DESCRIPTION	REV	DATE	BY	CHK	APP	DESCRIPTION

PENINSULA CORRIDOR JOINT POWERS BOARD

APPROVED BY:

ENGINEERING MANAGER

DEPUTY DIRECTOR OF ENGINEERING

1250 San Carlos Avenue
 San Carlos, CA 94070

STANDARD DRAWINGS

TRAIN CONTROL COMMUNICATION
 ATCS (DATA) RADIO SYSTEM
 60 FOOT TILT-DOWN TOWER
 FOUNDATION DETAILS

CADD FILE NO.: SD-6701	
REV 0	DATE 093011
TRAIN CONTROL	
STANDARD NO.: SD-6701	