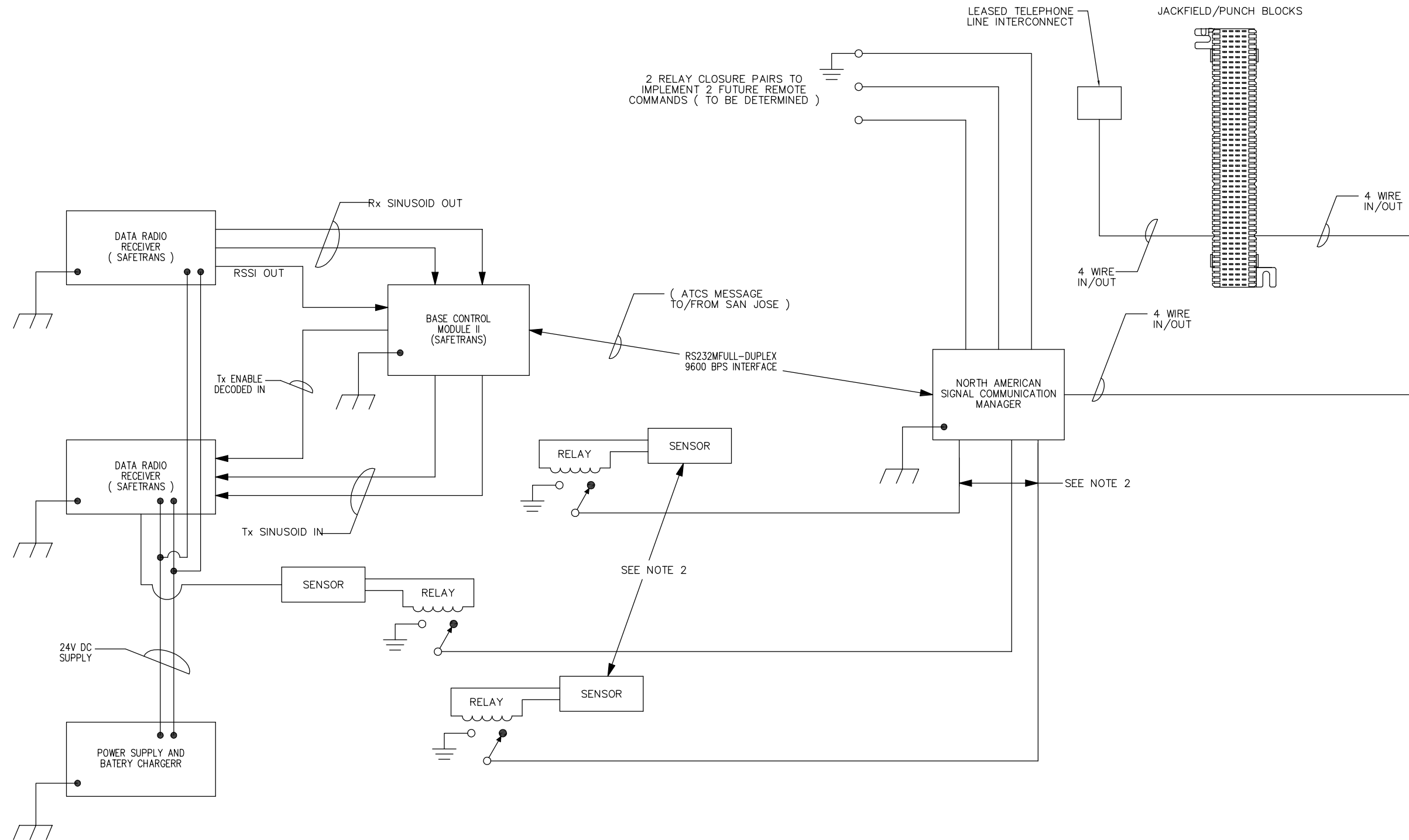


NOTES:

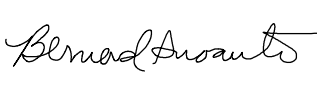

1. MATCH CORRESPONDING 4 WIRE MODEM AT CCF
2. TYPICAL OF 8. A TOTAL OF FOUR (4) MIN. UP TO EIGHT (MAX.) EQUIPMENT STATUS CONDITIONS SHALL BE MONITORED BY THE SENSOR TO GENERATE ALARMS WHICH SHALL BE ENCODED BY THE WCM AND INCORPORATED INTO THE ATCS MESSAGE FOR TRANSMISSION BACK TO THE RAIL OPERATIONS CONTROL AT CCF



REV	DATE	BY	CHK	APP	DESCRIPTION

PENINSULA CORRIDOR JOINT POWERS BOARD

APPROVED BY:

ENGINEERING MANAGER DEPUTY DIRECTOR OF ENGINEERING



STANDARD DRAWINGS

TRAIN CONTROL COMMUNICATION ATCS (DATA) RADIO SYSTEM INTERFACE TO LEASED TELEPHONE CIRCUITS CIRCUIT DIAGRAM

CADD FILE NO.:	SD-6618
REV	DATE
0	093011
TRAIN CONTROL	
STANDARD NO.:	SD-6618