

ABSOLYTE MODEL 1-50A15
AMP HOUR RATING 370
DATE NEW

ATTENTION

THIS IS A SEALED MAINTENANCE-FREE BATTERY, AND AS SUCH, NO WATER ADDITIONS WILL EVER BE REQUIRED. ANY ATTEMPT TO DO SO WILL IMPEDE THE BATTERY'S PERFORMANCE

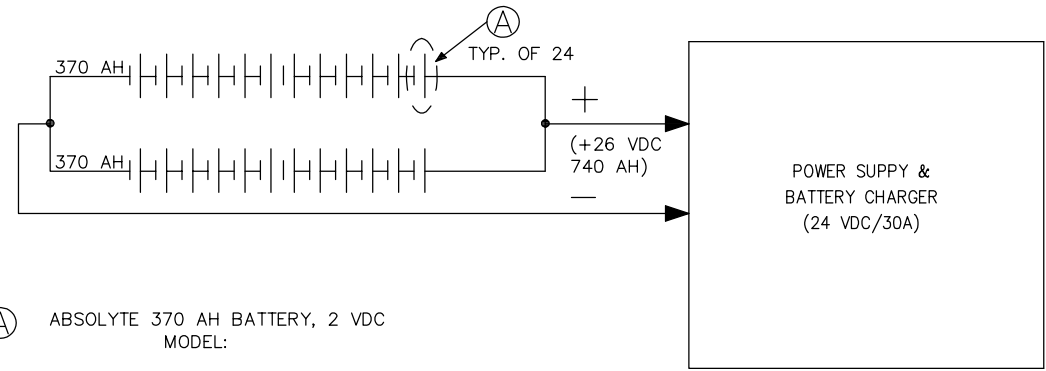
IN ORDER TO ACHIEVE ITS MAXIMUM LIFE THE FOLLOWING FLOAT VOLTAGE RANGE IS

RECOMMENDED FLOAT RANGE
2.23 TO 2.27 VOLTS PER CELL

VOLTAGE SETTINGS BEYOND THIS RANGE MAY CAUSE REDUCED CAPACITY OR SHORTEN BATTERY LIFE. EXCESSIVE OVERCHARGING MAY CAUSE THIS BATTERY TO EMIT EXPLOSIVE GASES OCCASIONALLY. THEREFORE, DO NOT SMOKE, USE AN OPEN FLAME OR CREATE AN ARC OR SPARKS NEAR THE BATTERY.

CONTACT WITH THE BATTERY'S SULFURIC ACID SHOULD ONLY OCCUR IF THE BATTERY CONTAINER IS DAMAGED. IF CONTACT OCCURS, FLUSH THOROUGHLY WITH CLEAN WATER AND DRAIN IMMEDIATE MEDICAL ATTENTION.

GNB BATTERY TECHNOLOGIES
INDUSTRIAL BATTERY COMPANY



A ABSOLYTE 370 AH BATTERY, 2 VDC MODEL:

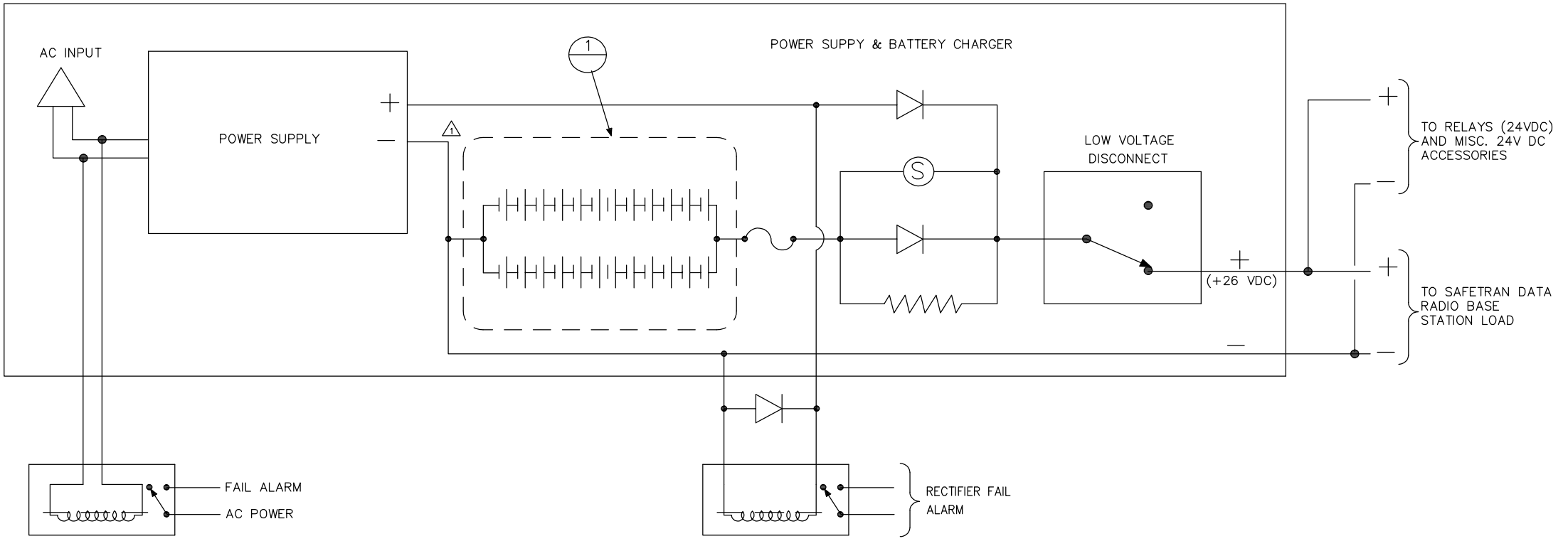
BATTERY DETAIL
NOT TO SCALE

NOTE:

1. ALL EQUIPMENT WILL BE POWERED FROM 24VDC BATTERY PLANT WHICH WILL BE CONFIGURED TO FLOAT CHANGE.

DATA RADIO BASE STATION BATTERY CAPACITY CALCULATION

WORST CASE SCENARIO: DUTY CYCLE: 50% ASSUME 40/40/20 FOR TX/RX/STANDBY.
BCP DC POWER CONSUMPTION: 11A Tx, 1A Rx, 1A STANDBY
CAPACITY REQUIRED (FOR 48 HOUR CONTINUOUS BACKUP)
= 11 X 19.2 + 1 X 19.2 + 1 X 9.6 = 211.2 + 19.2 + 9.6
CAPACITY REQUIRED = 240 AH
CORRECTED FOR TEMP, AGING & MARGIN = 240 X 1.1 X 1.2 X 1.25 = 396 AH
ADD RELAYS, BASE CONTROL MODULE & DC ACCESSORIES = 200 AH
FOR A TOTAL FOR ONE BASE STATION OF = 596 AH
ADD 20% CONVENIENCE MARGIN = 715 AH
TOTAL BATTERY SUPPLIED = 740 AH



REV	DATE	BY	CHK	APP	DESCRIPTION

PENINSULA CORRIDOR JOINT POWERS BOARD

APPROVED BY:

Bernard Anzures *Steph Chen*

ENGINEERING MANAGER DEPUTY DIRECTOR OF ENGINEERING



1250 San Carlos Avenue
San Carlos, CA 94070

STANDARD DRAWINGS

TRAIN CONTROL COMMUNICATION
ATCS (DATA) RADIO SYSTEM
BASE STATION
BATTERY BACKUP SYSTEM

CADD FILE NO.: SD-6613
REV 0 DATE 093011
TRAIN CONTROL
STANDARD NO.: SD-6613