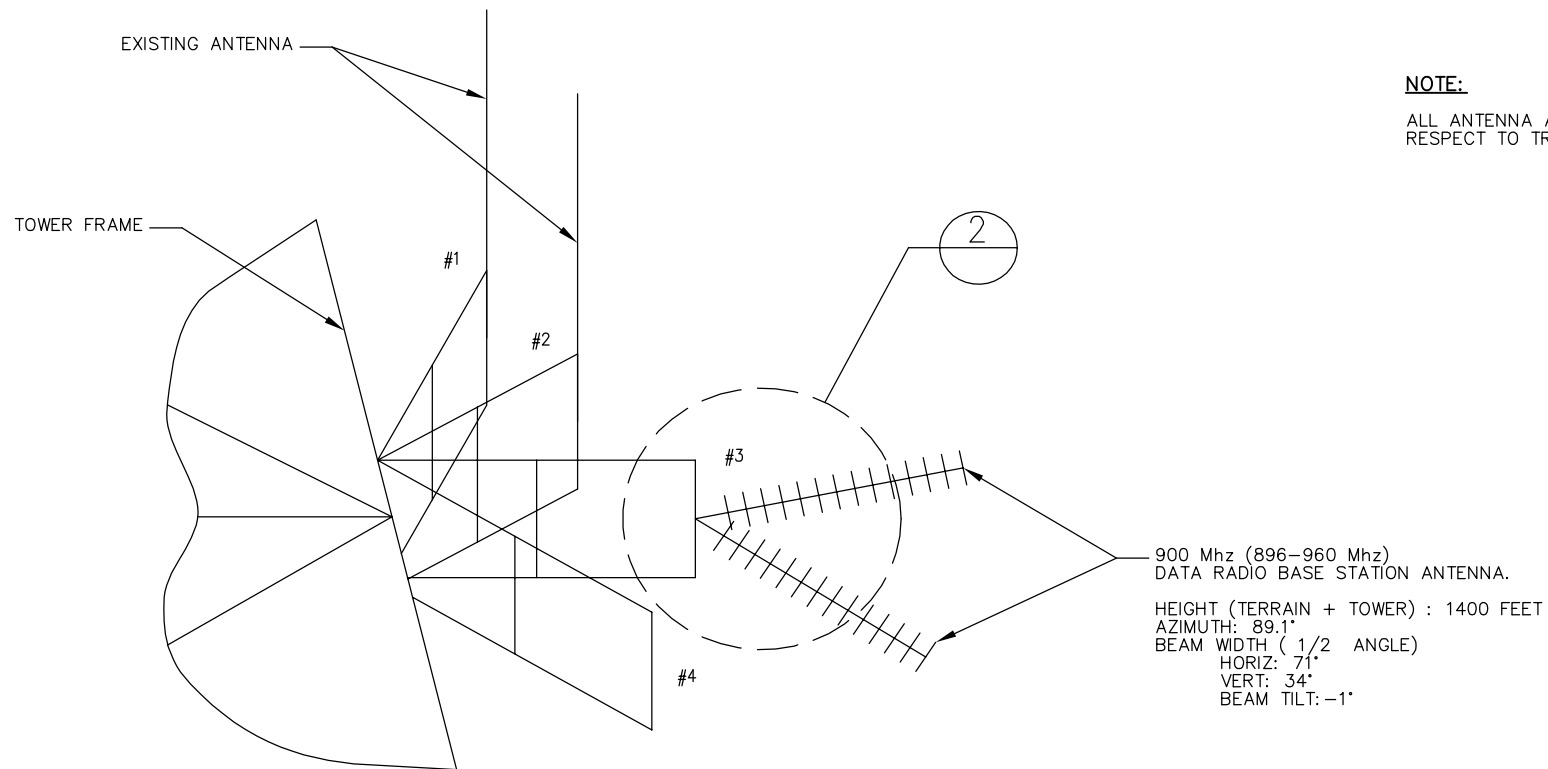
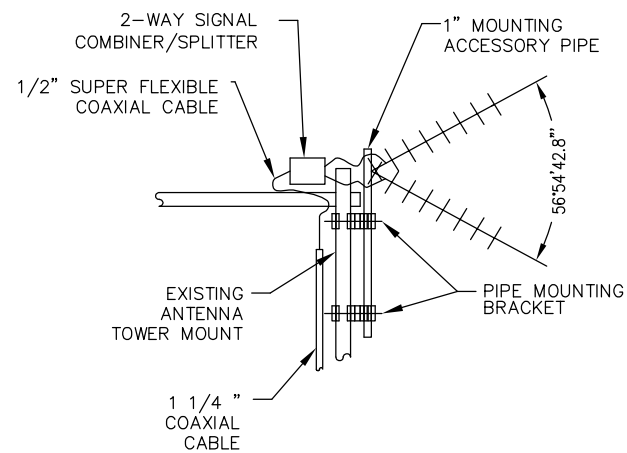


SAN BRUNO MOUNTAIN BASE STATION
ANTENNA TOWER
NOT TO SCALE



RADIO ANTENNA DETAIL

NOT TO SCALE



RADIO ANTENNA
INSTALLATION DETAIL

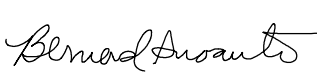

NOT TO SCALE

NOTE:
ALL ANTENNA AZIMUTH ORIENTATIONS SHOWN ARE WITH RESPECT TO TRUE NORTH.


REV	DATE	BY	CHK	APP	DESCRIPTION	REV	DATE	BY	CHK	APP	DESCRIPTION

PENINSULA CORRIDOR JOINT POWERS BOARD

APPROVED BY:

ENGINEERING MANAGER DEPUTY DIRECTOR OF ENGINEERING


 1250 San Carlos Avenue
 San Carlos, CA 94070

STANDARD DRAWINGS

TRAIN CONTROL COMMUNICATION
 ATCS (DATA) RADIO SYSTEM
 SAN BRUNO MTN BASE STN SITE
 ANTENNA TOWER DETAILS

CADD FILE NO.:	SD-6609
REV	DATE
0	093011
TRAIN CONTROL	
STANDARD NO.:	SD-6609