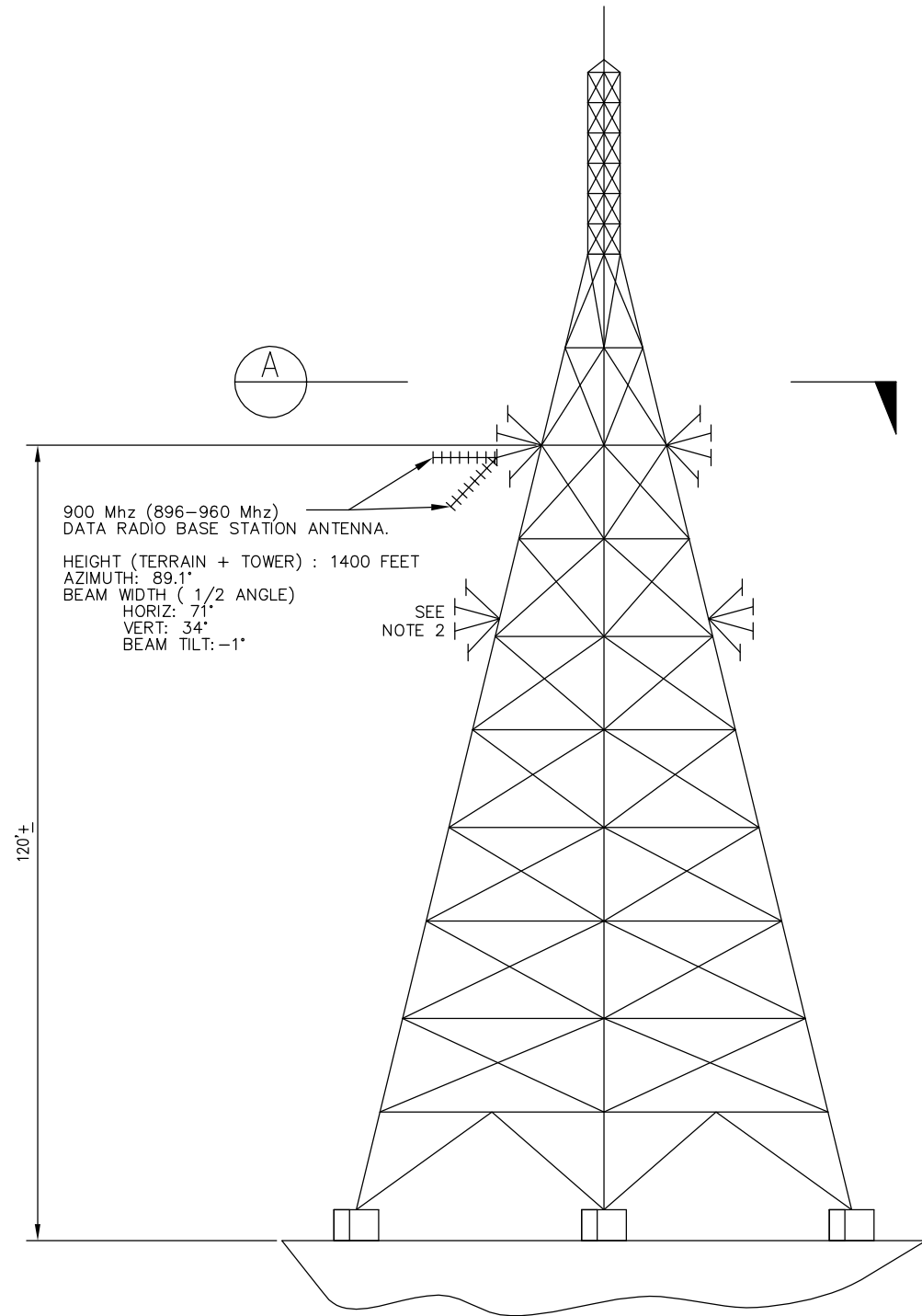
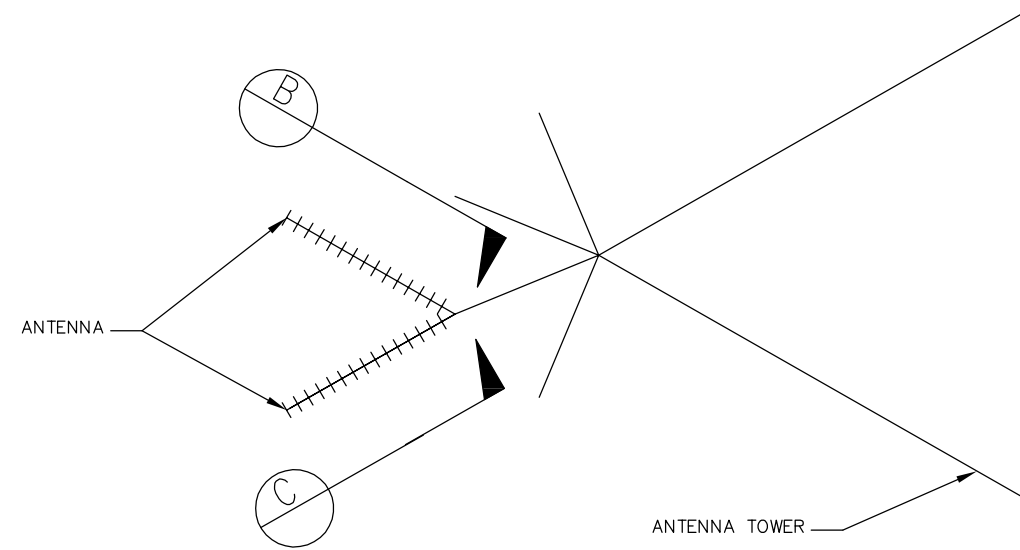


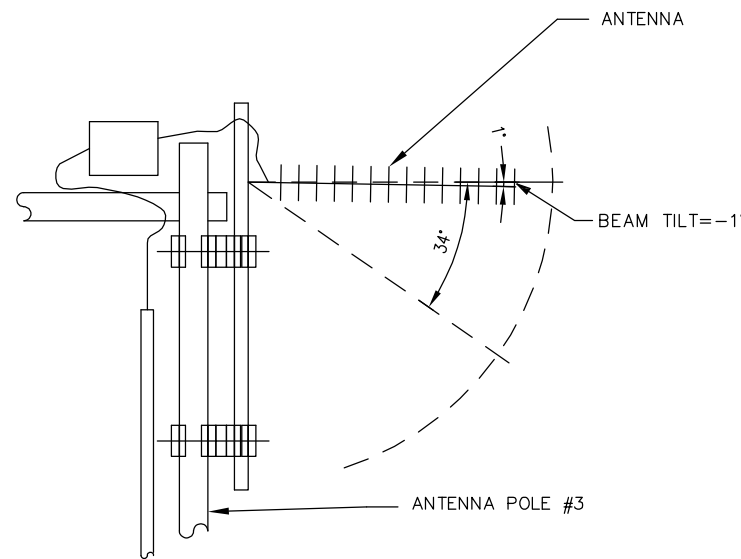
**NOTE:**  
ALL ANTENNA AZIMUTH ORIENTATIONS SHOWN ARE WITH RESPECT TO TRUE NORTH.



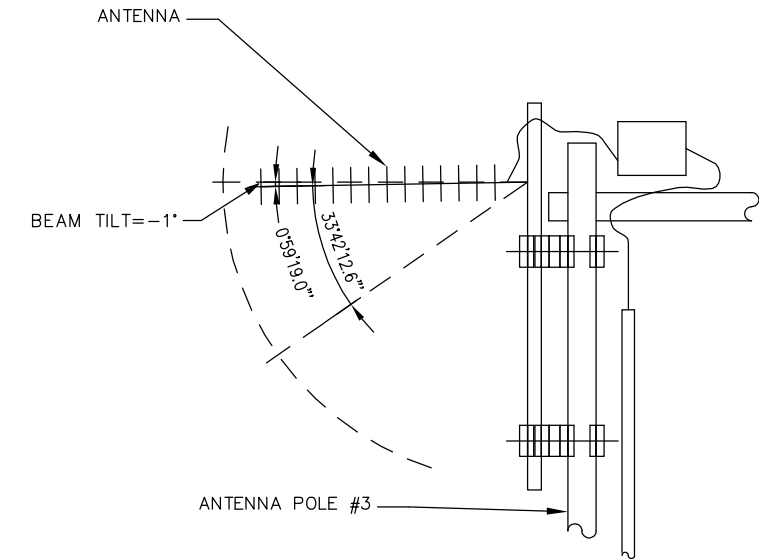
**SAN BRUNO MOUNTAIN BASE STATION ANTENNA TOWER**  
NOT TO SCALE



**ANTENNA PLAN VIEW**  
NOT TO SCALE



**ANTENNA #1 ELEVATION VIEW**  
NOT TO SCALE

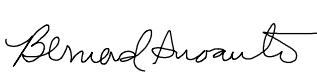



**ANTENNA #2 ELEVATION VIEW**  
NOT TO SCALE


REV	DATE	BY	CHK	APP	DESCRIPTION

**PENINSULA CORRIDOR JOINT POWERS BOARD**

APPROVED BY:

ENGINEERING MANAGER      DEPUTY DIRECTOR OF ENGINEERING

  
 1250 San Carlos Avenue  
 San Carlos, CA 94070

**STANDARD DRAWINGS**

**TRAIN CONTROL COMMUNICATION  
 ATCS (DATA) RADIO SYSTEM  
 SAN BRUNO MTN BASE STN SITE  
 ANTENNA DETAILS**

CADD FILE NO.:	SD-6608
REV	DATE
0	093011
TRAIN CONTROL	
STANDARD NO.:	SD-6608