

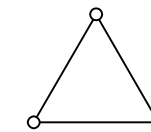
ACCORDING TO ANSI/EIA-222-F 1996

90 mph/78 + 1/2" RADIAL ICE W/ (3 second gust) PER OBC AND IBC				
	CaAa	FLAT PLATE AREA	WEIGHT	ELEVATION
NO ICE	40.0 SQ.FT	22.22 SQ.FT	1200 LBS	60.0 FT
1/2 ICE	49.5 SQ.FT	27.50 SQ.FT	1600 LBS	60.0 FT
NO ICE	71.5 SQ.FT	39.72 SQ.FT	900 LBS	60 FT TO 30 FT
1/2 ICE	87.0 SQ.FT	48.33 SQ.FT	1700 LBS	60 FT TO 30 FT
(1) - 7/8 COAX ELEVATION 0 FT TO 60 FT				
CLIMBING LADDER ELEVATION 0 FT TO 40 FT				

70 mph/51 mph + 1/2" RADIAL ICE (FASTEST MPH) PER EIA-222-F				
	CaAa	FLAT PLATE AREA	WEIGHT	ELEVATION
NO ICE	42.0 SQ.FT	23.33 SQ.FT	1200 LBS	60.0 FT
1/2 ICE	52.0 SQ.FT	28.89 SQ.FT	1600 LBS	60.0 FT
NO ICE	76.5 SQ.FT	42.50 SQ.FT	900 LBS	60 FT TO 30 FT
1/2 ICE	93.0 SQ.FT	51.67 SQ.FT	1700 LBS	60 FT TO 30 FT
(1) - 7/8 COAX ELEVATION 0 FT TO 60 FT				
CLIMBING LADDER ELEVATION 0 FT TO 40 FT				

LEGS	2.375" X 0.154"	1.9" X 0.145"	2.0 X 10 GA	*	ASTM
DIAGONALS	L1 3/4 X 1 3/4 X 1/8	L1 1/2 X 1 1/2 X 1/8	L1 3/4 X 1 3/4 X 1/8	A36	
GIRTS	L1 3/4 X 1 3/4 X 1/8	L1 1/2 X 1 1/2 X 1/8	L1 1/4 X 1 1/4 X 1/8	A307 GRADE B	
BRACE BOLTS	(1) - 5/8" DIA		- SHOP WELDED -		
SPLICE BOLTS		(4) - 1/2" DIA	(92) - 1/2" DIA		
ANCHOR BOLTS		(4) - 3/4" DIA (C1018 THREADED ROD)			

* PIPE LEGS 42 KSI MIN YIELD
10GA TUBE LEGS 30KSI MIN YIELD

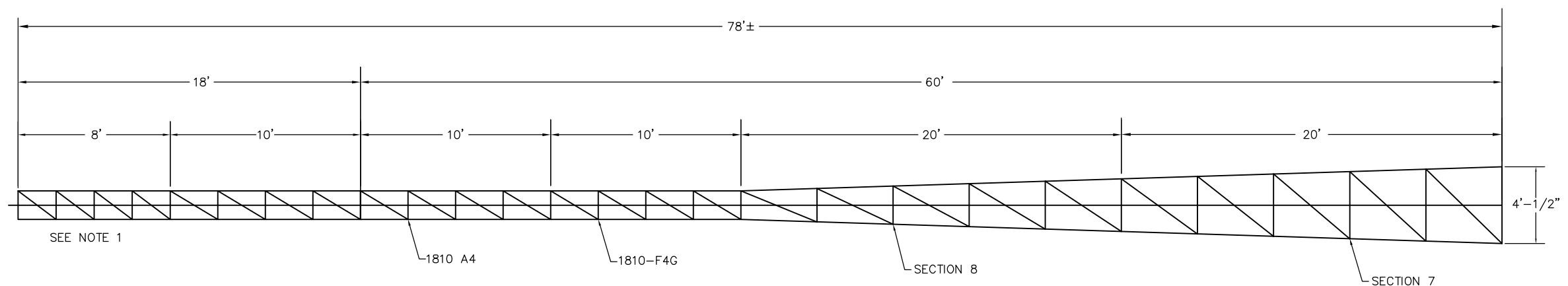


INTERIOR BRACING
(NOT REQUIRED)

FOUNDATION REACTIONS:

TOTAL MOMENT: 90.7 FT-KIPS
TOTAL SHEAR: 4 KIPS
TOTAL DOWNLOAD: 3 KIPS

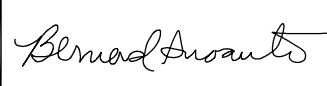

NEW TOWER SHALL BE ENGINEER
APPROVED EQUAL OR BETTER
THAN TOWER SHOWN HERE




REV	DATE	BY	CHK	APP	DESCRIPTION

PENINSULA CORRIDOR JOINT POWERS BOARD

APPROVED BY:

ENGINEERING MANAGER DEPUTY DIRECTOR OF ENGINEERING



1250 San Carlos Avenue
San Carlos, CA 94070

STANDARD DRAWINGS

TRAIN CONTROL COMMUNICATION
 ATCS (DATA) RADIO SYSTEM
 CEMOF BASE STATION
 TOWER EXTENSION DETAILS

CADD FILE NO.: SD-6606	
REV 0	DATE 093011
TRAIN CONTROL	
STANDARD NO.: SD-6606	