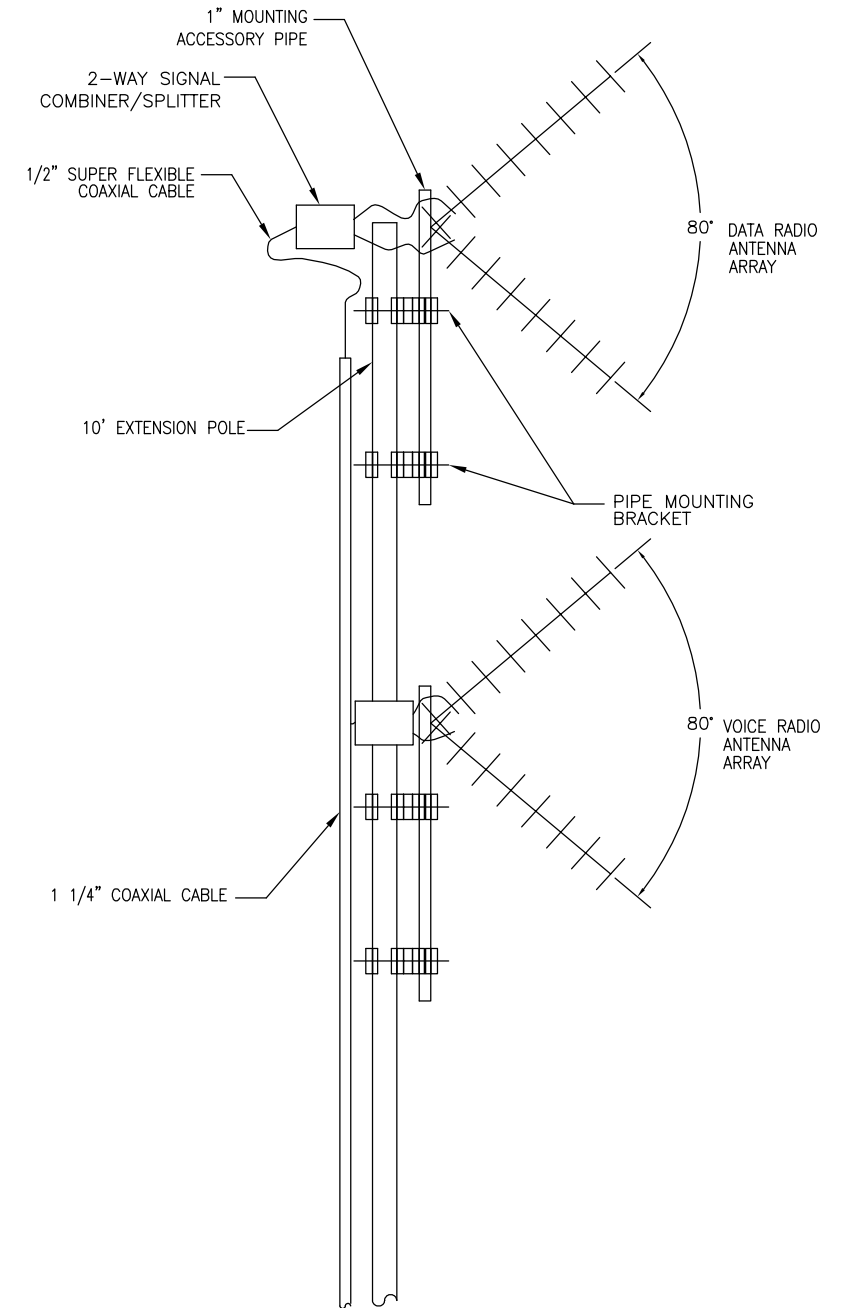


**MOUNMENT PEAK  
 BASE STATION SITE PLAN**  
 NOT TO SCALE



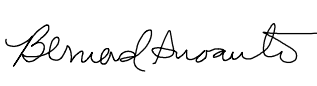

**RADIO ANTENNA  
 INSTALLATION DETAIL**

**2** DETAIL  
 - SCALE: NTS


REV	DATE	BY	CHK	APP	DESCRIPTION

**PENINSULA CORRIDOR JOINT POWERS BOARD**

APPROVED BY:

ENGINEERING MANAGER      DEPUTY DIRECTOR OF ENGINEERING

  
 1250 San Carlos Avenue  
 San Carlos, CA 94070

STANDARD DRAWINGS		CADD FILE NO.:
TRAIN CONTROL COMMUNICATION ATCS (DATA) RADIO SYSTEM		SD-6602
REV	DATE	
0	093011	
TRAIN CONTROL		
STANDARD NO.:		SD-6602