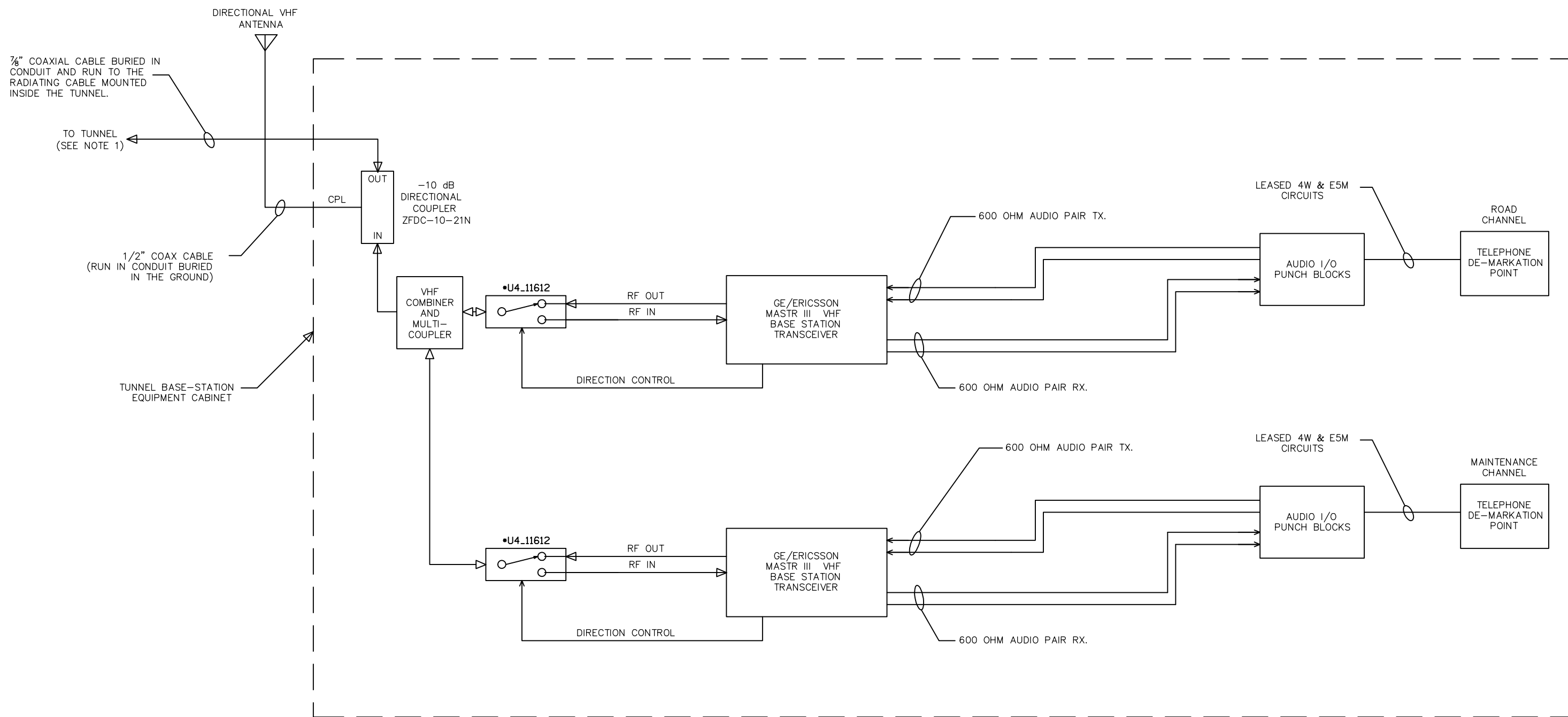


NOTES:

1. A SINGLE 7/8" RADIATING CABLE IS INSTALLED ON THE ROOF OF EACH TUNNEL



REV	DATE	BY	CHK	APP	DESCRIPTION

PENINSULA CORRIDOR JOINT POWERS BOARD

APPROVED BY:

Bernard Anzures *Steph Chen*

ENGINEERING MANAGER DEPUTY DIRECTOR OF ENGINEERING



1250 San Carlos Avenue
San Carlos, CA 94070

STANDARD DRAWINGS

TRAIN CONTROL COMMUNICATION
VOICE RADIO - TUNNEL RADIO SITES
TUNNEL VOICE RADIO
BASE STATIONS CONFIGURATION

CADD FILE NO.:	SD-6302
REV	DATE
0	093011
TRAIN CONTROL	
STANDARD NO.:	SD-6302