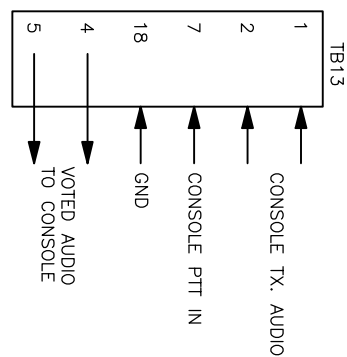
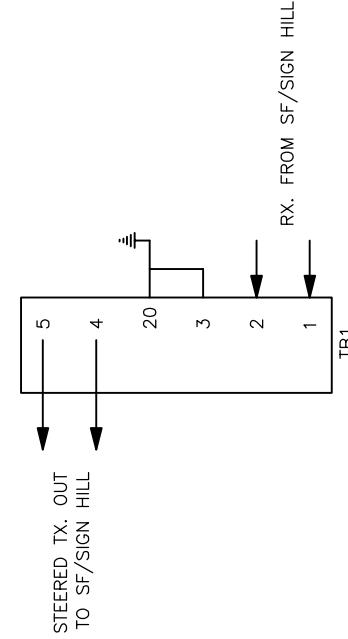
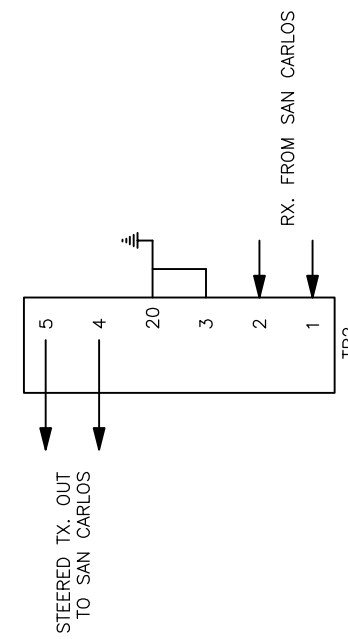
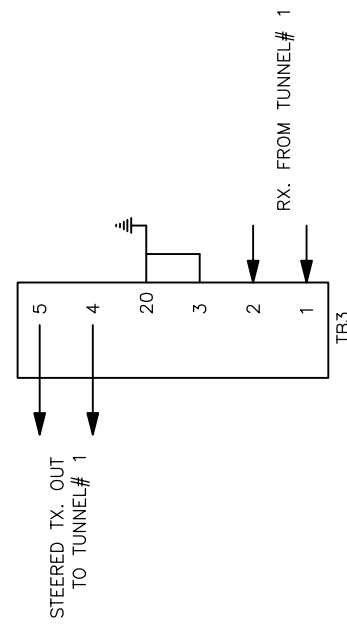
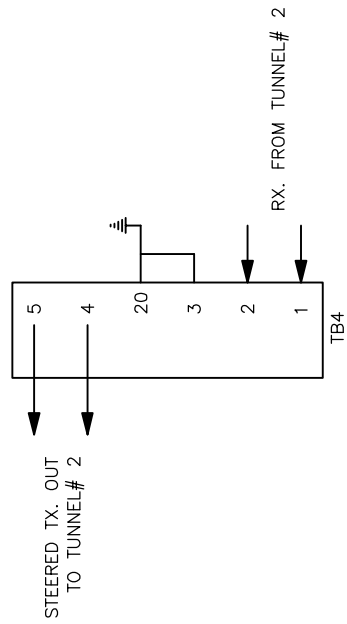
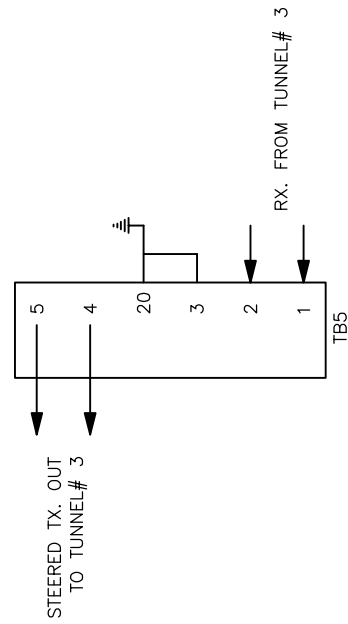
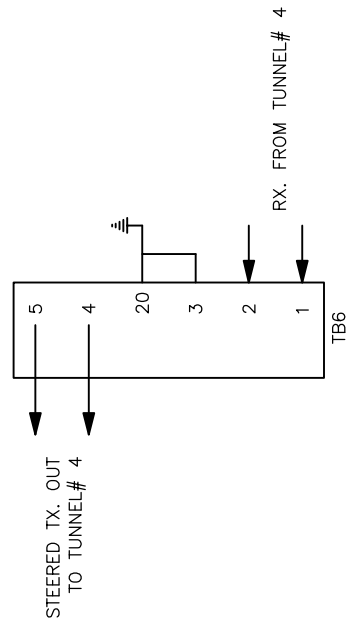
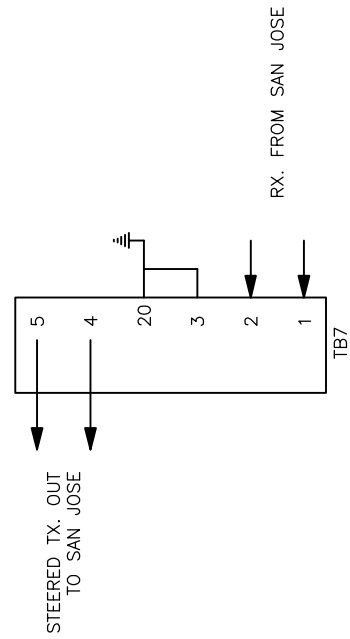


ROAD RADIO WEEKEND VOTER CONFIGURATION



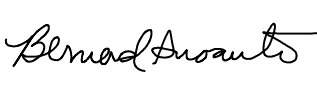

NOTES:

1. THIS CONFIGURATION IS USED FOR OPERATIONS ON WEEKENDS ONLY


REV	DATE	BY	CHK	APP	DESCRIPTION	REV	DATE	BY	CHK	APP	DESCRIPTION

PENINSULA CORRIDOR JOINT POWERS BOARD

APPROVED BY:

ENGINEERING MANAGER DEPUTY DIRECTOR OF ENGINEERING



1250 San Carlos Avenue
San Carlos, CA 94070

STANDARD DRAWINGS

TRAIN CONTROL COMMUNICATION
 VOICE RADIO – CCF INTERFACE
 ROAD CHANNEL VOTING & STEERING INTERFACE AT CCF
 SHEET 3 OF 3

CADD FILE NO.:		SD-6105
REV	DATE	
0	093011	
STANDARD NO.:		SD-6105
TRAIN CONTROL		