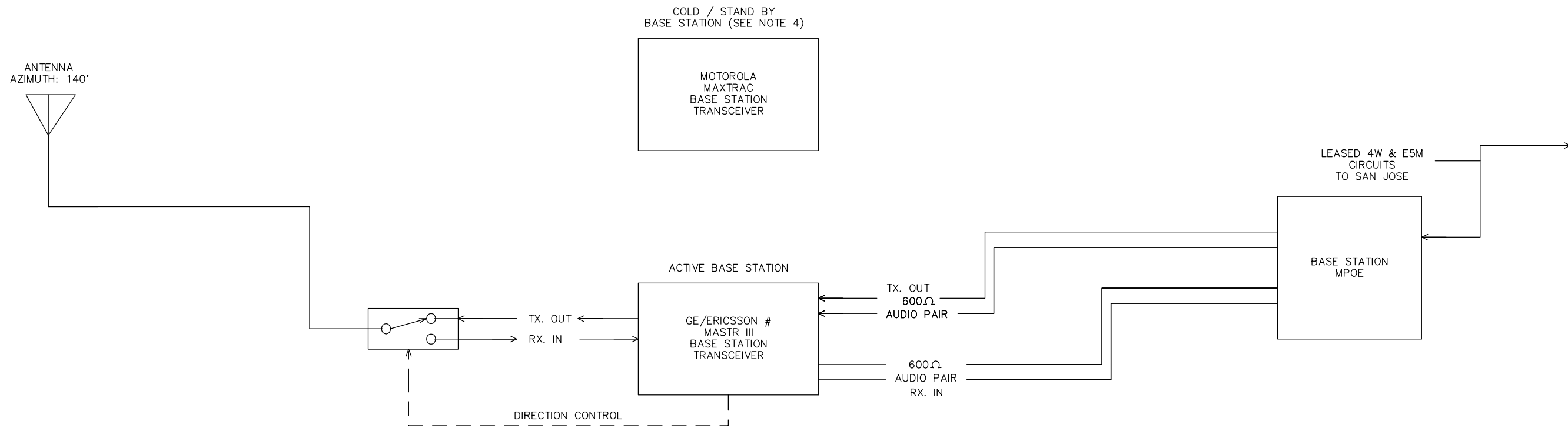


NOTES:

1. LOCATION: N37°30'23.4"/W122°15'43.1", ELEVATION (TERRAIN & TOWER): 99'
2. ANTENNA AZIMUTH: 140° (DIRECTIONAL: YAGI)
3. DRAWING DEPICTS THE COAXIAL RELAYS CONFIGURED TO SUPPORT BASE STATION TRANSMIT OPERATIONS
4. THE COLD / STANDBY BASE STATION IS PROGRAMMED TO THE SAME OPERATING FREQUENCIES & CONFIGURED IDENTICAL TO THE ACTIVE BASE STATION, HOWEVER ITS POWER SWITCH IS SET TO OFF



REV	DATE	BY	CHK	APP	DESCRIPTION	REV	DATE	BY	CHK	APP	DESCRIPTION

PENINSULA CORRIDOR JOINT POWERS BOARD

APPROVED BY:

ENGINEERING MANAGER

DEPUTY DIRECTOR OF ENGINEERING

1250 San Carlos Avenue
San Carlos, CA 94070

STANDARD DRAWINGS

TRAIN CONTROL COMMUNICATION
VOICE RADIO – EXISTING SYSTEM
EXISTING SYSTEM
SAN CARLOS BASE STATION

CADD FILE NO.: SD-6052	
REV 0	DATE 093011
TRAIN CONTROL	
STANDARD NO.: SD-6052	