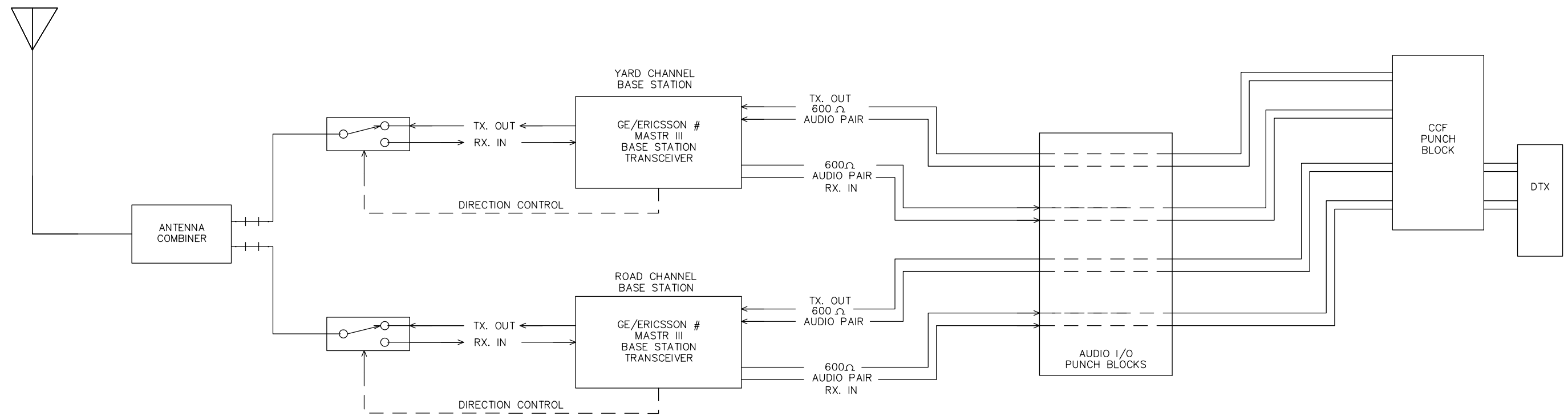


NOTES:

1. LOCATION : N37 19' 44.6" / W 122 54' 1.5", ELEVATION (TERRAIN & TOWER): 130'
2. ANTENNA AZIMUTH: 334' / 154' (DUAL YAGI ANTENNAS ORIENTED 180° WRT EACH OTHER)
3. DRAWING DEPICTS THE COAXIAL RELAYS CONFIGURED TO SUPPORT BASE STATION TRANSMIT OPERATIONS



REV	DATE	BY	CHK	APP	DESCRIPTION

PENINSULA CORRIDOR JOINT POWERS BOARD

APPROVED BY:

ENGINEERING MANAGER

DEPUTY DIRECTOR OF ENGINEERING

1250 San Carlos Avenue
San Carlos, CA 94070

STANDARD DRAWINGS

TRAIN CONTROL COMMUNICATION
VOICE RADIO – EXISTING SYSTEM
EXISTING SYSTEM
SAN JOSE BASE STATION

CADD FILE NO.: SD-6051	
REV 0	DATE 093011
TRAIN CONTROL	
STANDARD NO.: SD-6051	