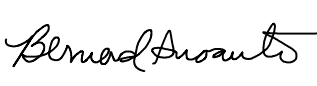




REV	DATE	BY	CHK	APP	DESCRIPTION	REV	DATE	BY	CHK	APP	DESCRIPTION

**PENINSULA CORRIDOR JOINT POWERS BOARD**

APPROVED BY:

ENGINEERING MANAGER      DEPUTY DIRECTOR OF ENGINEERING

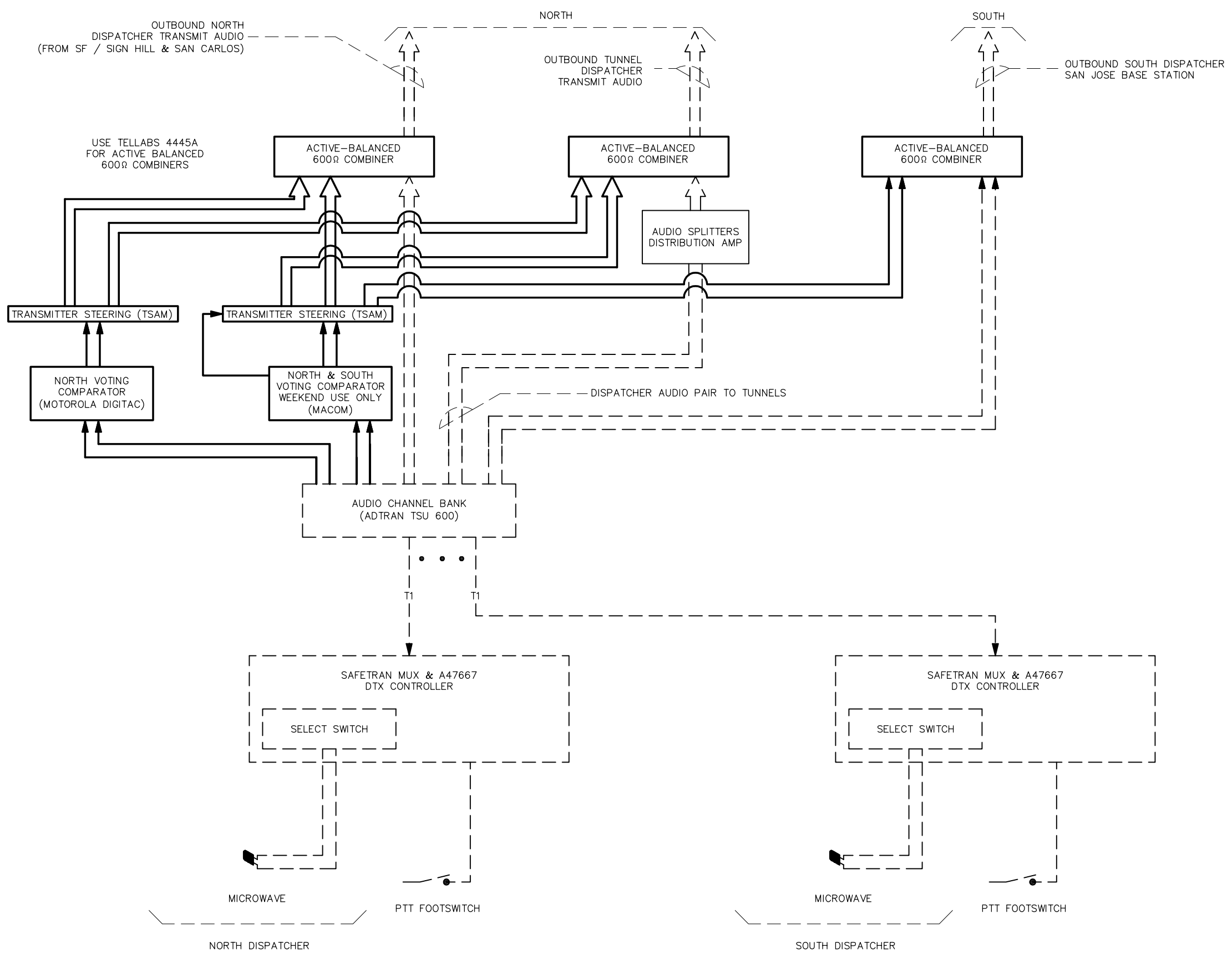


1250 San Carlos Avenue  
 San Carlos, CA 94070

**STANDARD DRAWINGS**

TRAIN CONTROL COMMUNICATION  
 VOICE RADIO - CCF INTERFACE  
 ROAD CHANNEL INTERFACE  
 AT CCF RECEIVING PATH

CADD FILE NO.:		SD-6101
REV	DATE	093011
0		
TRAIN CONTROL		
STANDARD NO.:		SD-6101



REV	DATE	BY	CHK	APP	DESCRIPTION

**PENINSULA CORRIDOR JOINT POWERS BOARD**

APPROVED BY:

*Bernard Anzures*      *Stefan Chen*

ENGINEERING MANAGER      DEPUTY DIRECTOR OF ENGINEERING

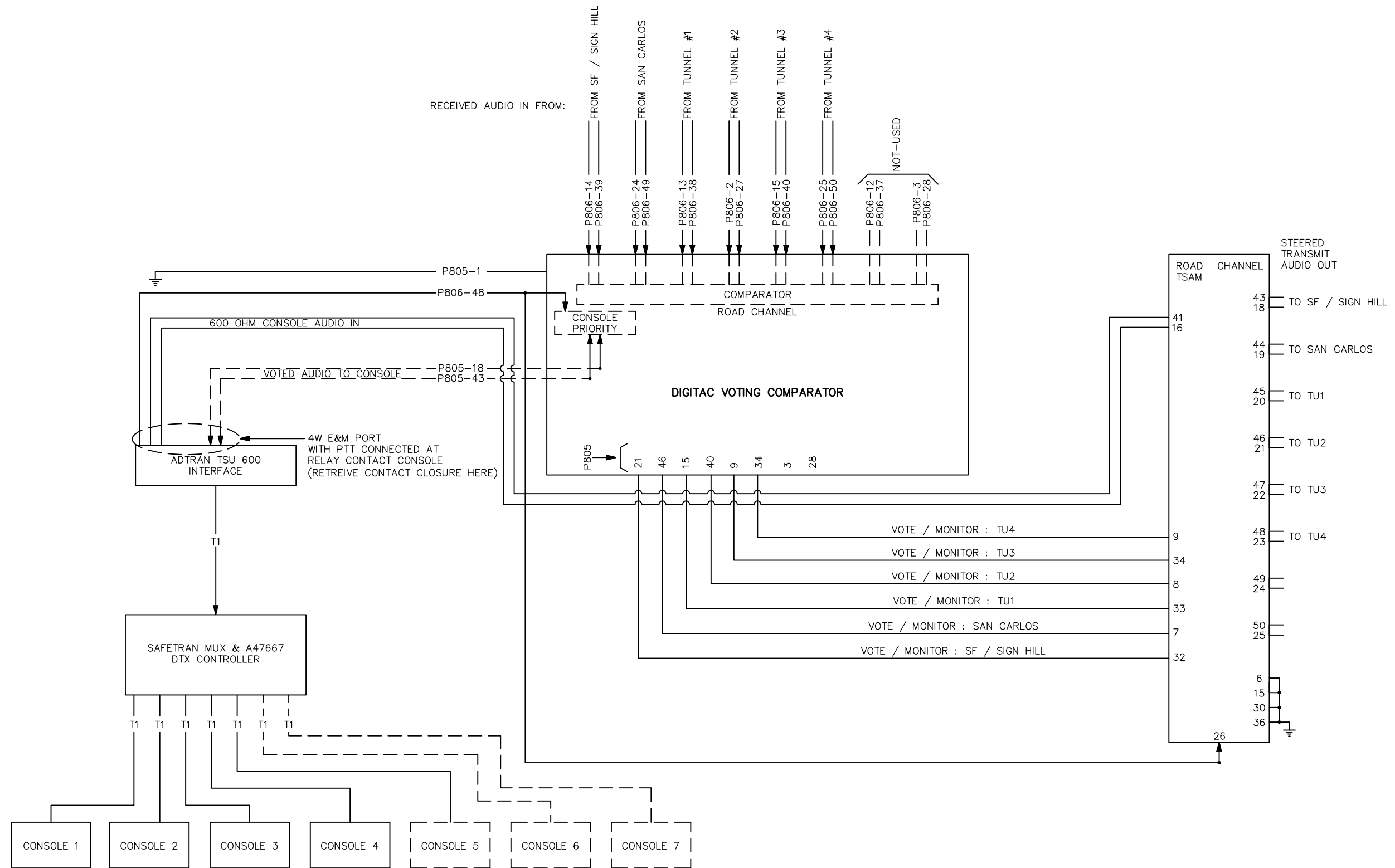


1250 San Carlos Avenue  
San Carlos, CA 94070

**STANDARD DRAWINGS**

TRAIN CONTROL COMMUNICATION  
VOICE RADIO – CCF INTERFACE  
ROAD CHANNEL INTERFACE  
AT CCF TRANSMITTING PATH

CADD FILE NO.:		SD-6102
REV	DATE	
0	093011	
TRAIN CONTROL		
STANDARD NO.:		SD-6102



REV	DATE	BY	CHK	APP	DESCRIPTION

**PENINSULA CORRIDOR JOINT POWERS BOARD**

APPROVED BY:




ENGINEERING MANAGER      DEPUTY DIRECTOR OF ENGINEERING

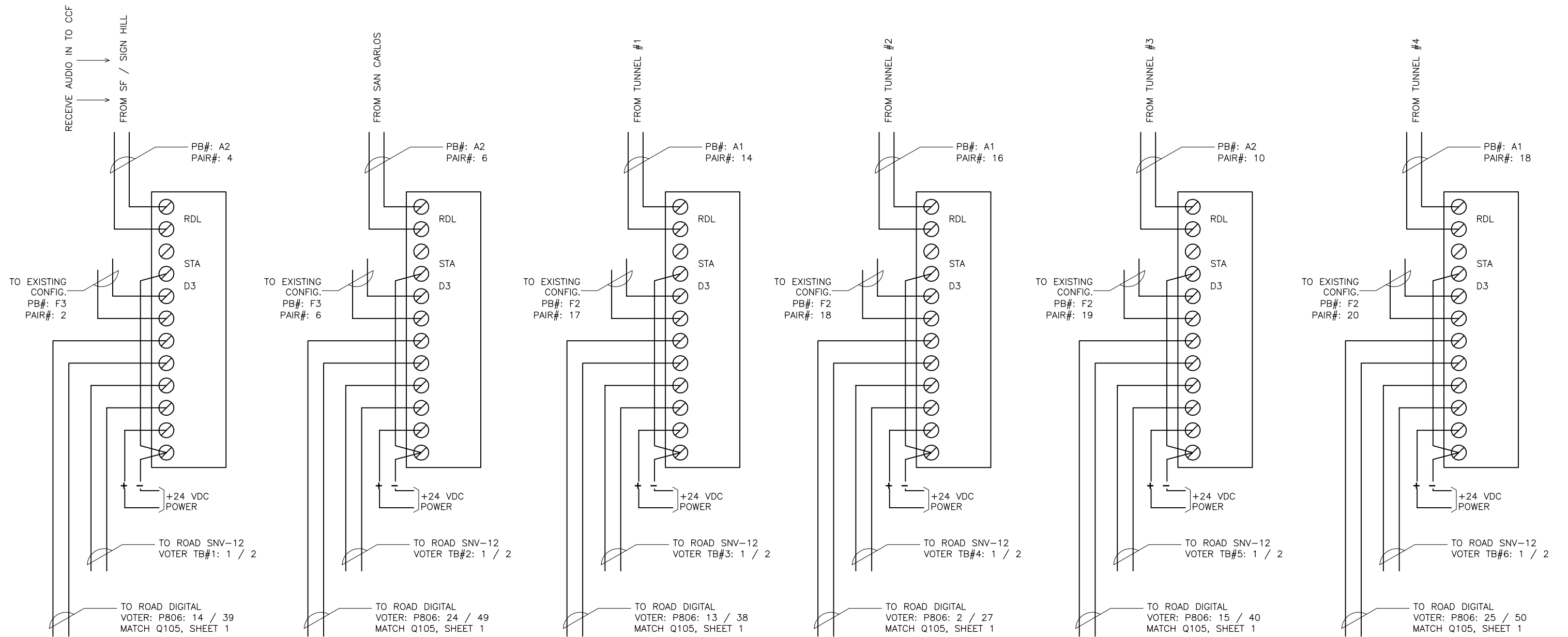


1250 San Carlos Avenue  
 San Carlos, CA 94070

**STANDARD DRAWINGS**

TRAIN CONTROL COMMUNICATION  
 VOICE RADIO - CCF INTERFACE  
 ROAD CHANNEL VOTING & STEERING INTERFACE AT CCF  
 SHEET 1 OF 3

CADD FILE NO.: SD-6103	
REV 0	DATE 093011
TRAIN CONTROL	
STANDARD NO.: SD-6103	



**PENINSULA CORRIDOR JOINT POWERS BOARD**

**STANDARD DRAWINGS**

CADD FILE NO.: SD-6104

APPROVED BY:

*Bernard Anzures* *Steph Chen*



1250 San Carlos Avenue  
San Carlos, CA 94070

TRAIN CONTROL COMMUNICATION  
VOICE RADIO - CCF INTERFACE  
ROAD CHANNEL VOTING & STEERING INTERFACE AT CCF  
SHEET 2 OF 3

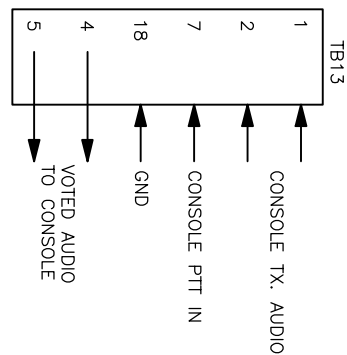
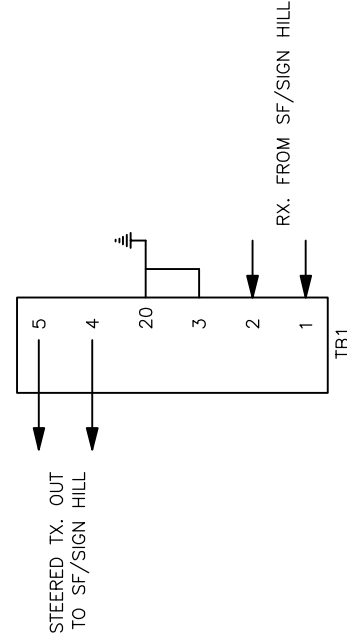
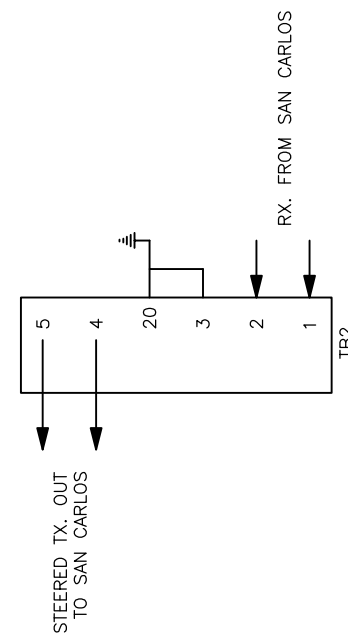
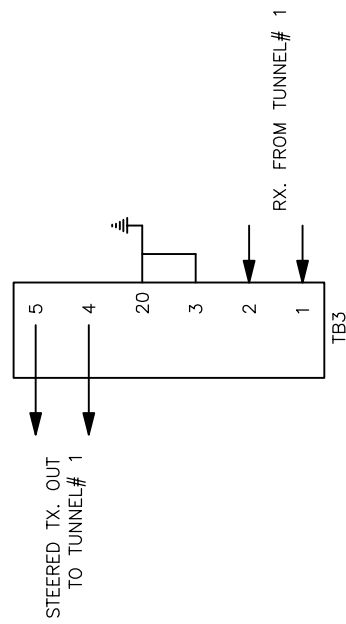
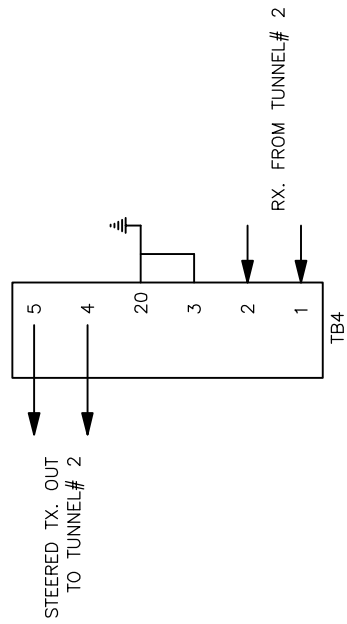
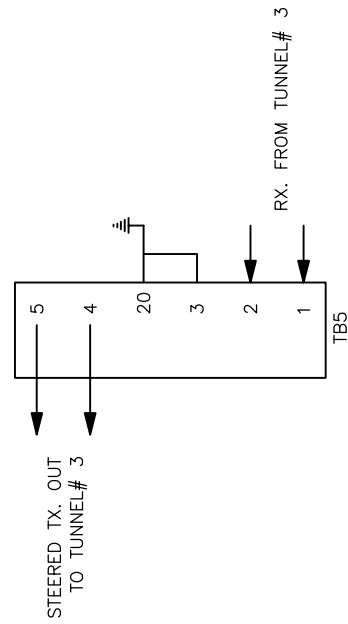
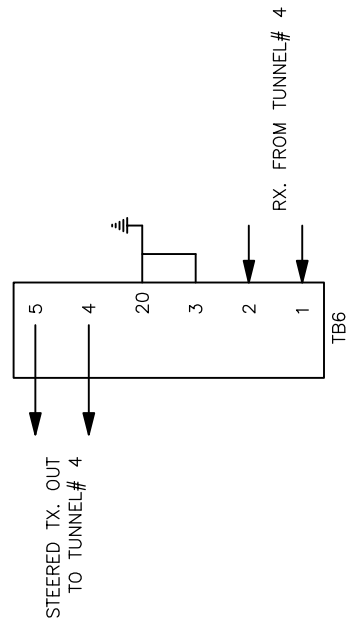
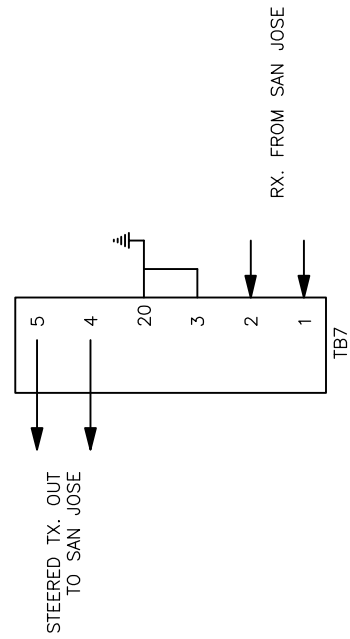
REV 0 DATE 093011

TRAIN CONTROL

STANDARD NO.: SD-6104

REV	DATE	BY	CHK	APP	DESCRIPTION

ROAD RADIO WEEKEND VOTER CONFIGURATION



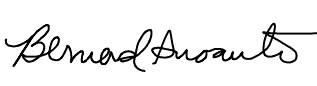

NOTES:

1. THIS CONFIGURATION IS USED FOR OPERATIONS ON WEEKENDS ONLY


REV	DATE	BY	CHK	APP	DESCRIPTION	REV	DATE	BY	CHK	APP	DESCRIPTION

**PENINSULA CORRIDOR JOINT POWERS BOARD**

APPROVED BY:

ENGINEERING MANAGER      DEPUTY DIRECTOR OF ENGINEERING



1250 San Carlos Avenue  
San Carlos, CA 94070

**STANDARD DRAWINGS**

TRAIN CONTROL COMMUNICATION  
 VOICE RADIO – CCF INTERFACE  
 ROAD CHANNEL VOTING & STEERING INTERFACE AT CCF  
 SHEET 3 OF 3

CADD FILE NO.:		SD-6105
REV	DATE	
0	093011	
STANDARD NO.:		SD-6105
TRAIN CONTROL		