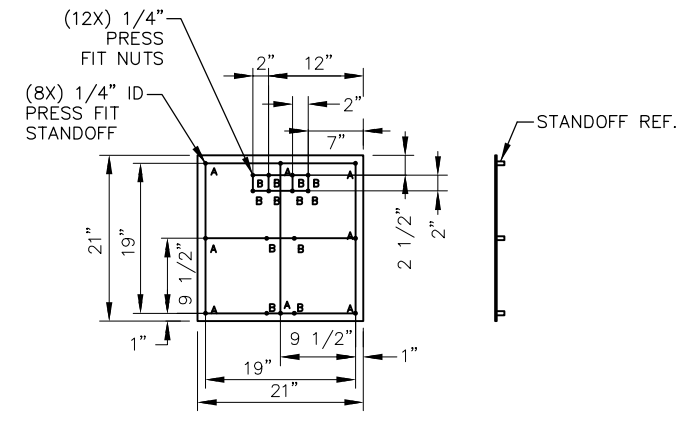
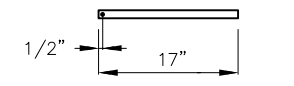


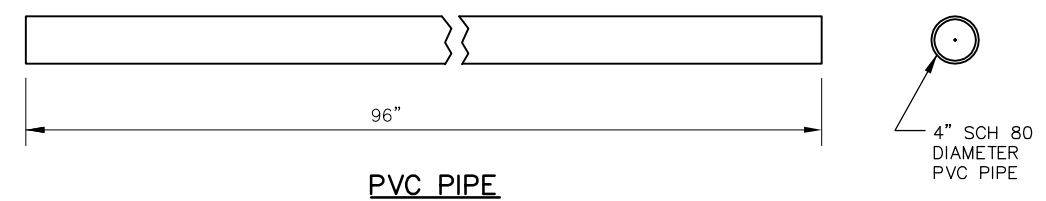
24" X 24" X 9" ELECTRICAL ENCLOSURE NEMA #12 HINGED COVER



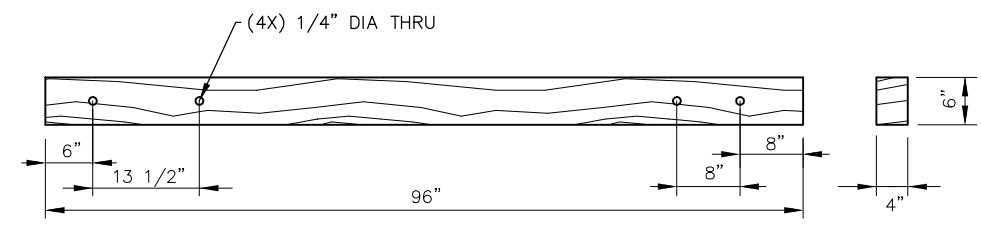
21" X 21" INSERT PLATE FOR NEMA 12 ELEC ENCL



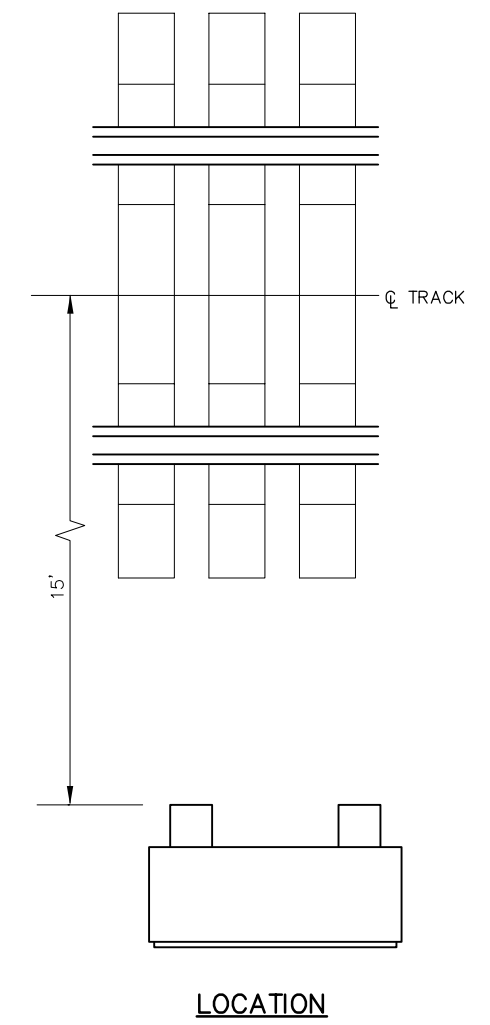
MOUNTING STRAP OR CABLE TIES



PVC PIPE



(2X) 4" X 6" X 8' PRESSURE TREATED POST



NOTES:

1. MATERIAL: POST - 4" X 4" X 8' PRESSURE TREATED WOOD
RIB BARS STEEL - 1/2" DIA X 12" LONG
CONDUIT - 4" DIA PVC SCHEDULE 80
ELECTRICAL BOX - NEMA JIC-12 ENCLOSURE, 24" X 24" X 9", GRAINGER #6C724
INTERIOR PANEL - 21" X 21", GRAINGER #2W829
STANDOFF - (8PCS)
2. THE LOCATION OF THE SHUNT BOX WITH RESPECT TO THE CENTER LINE OF THE TRACK SHALL BE AT LEAST 12', 15' DESIRED
3. THE POST SHALL BE BURIED 24" BELOW THE GROUND IF FOUNDATION IS CONCRETE. THE POST SHALL BE BURIED 36" BELOW THE GROUND IF THE FOUNDATION IS COMPACTED SOIL
4. THE POST SHALL HAVE TWO RIB BARS INSERTED THROUGH PER DIMENSION SPECIFIED FOR RIGID SUPPORT, DRILL HOLES AT THE POST FOR THE BOX AND RIB BARS
5. A PVC SCH 80 4" DIA CONDUIT SHALL BE SUPPLIED TO SUPPORT THE CABLE FROM THE ELECTRICAL BOX TO THE GROUND WITH AN ELBOW. CABLE MUST BE BURIED A MINIMUM OF 36" BELOW THE GROUND.
6. THE ELECTRICAL BOX SHALL BE MODIFIED BY DRILLING MOUNTING HOLES AT THE BACK OF THE PANEL.
7. THE INSERT PANEL SHALL BE MODIFIED BY DRILLING HOLES AND ADDING PRESS FIT NUTS.
8. MOUNT THE INSERT PANEL INTO THE BOX BY ADDING EIGHT STANDOFFS AND FASTEN WITH NUTS AND BOLTS
9. MOUNT THE BOX AGAINST THE POST WITH NUTS, BOLTS, FLAT AND LOCK WASHERS
10. ATTACH THE MOUNTING STRAP OF CABLE TIES TO HOLD THE SHUNT UNIT
11. WIDE BAND SHUNTS SHALL BE DIRECT BURIED A MINIMUM 2' FROM BOTTOM OF TIE WITH TRACK LEADS FACING DOWN - TRACK LEADS SHALL RUN IN BOOTLEG AS SHOWN IN SD-5110

REV	DATE	BY	CHK	APP	DESCRIPTION

PENINSULA CORRIDOR JOINT POWERS BOARD

APPROVED BY:




ENGINEERING MANAGER DEPUTY DIRECTOR OF ENGINEERING



1250 San Carlos Avenue
San Carlos, CA 94070

STANDARD DRAWINGS

SIGNAL AND COMMUNICATION
HIGHWAY GRADE CROSSING APPARATUS
TRACKSIDE TERMINATION
SHUNT ENCLOSURE

CADD FILE NO.:	SD-5427
REV	DATE
0	093011
SIGNAL	
STANDARD NO.:	SD-5427