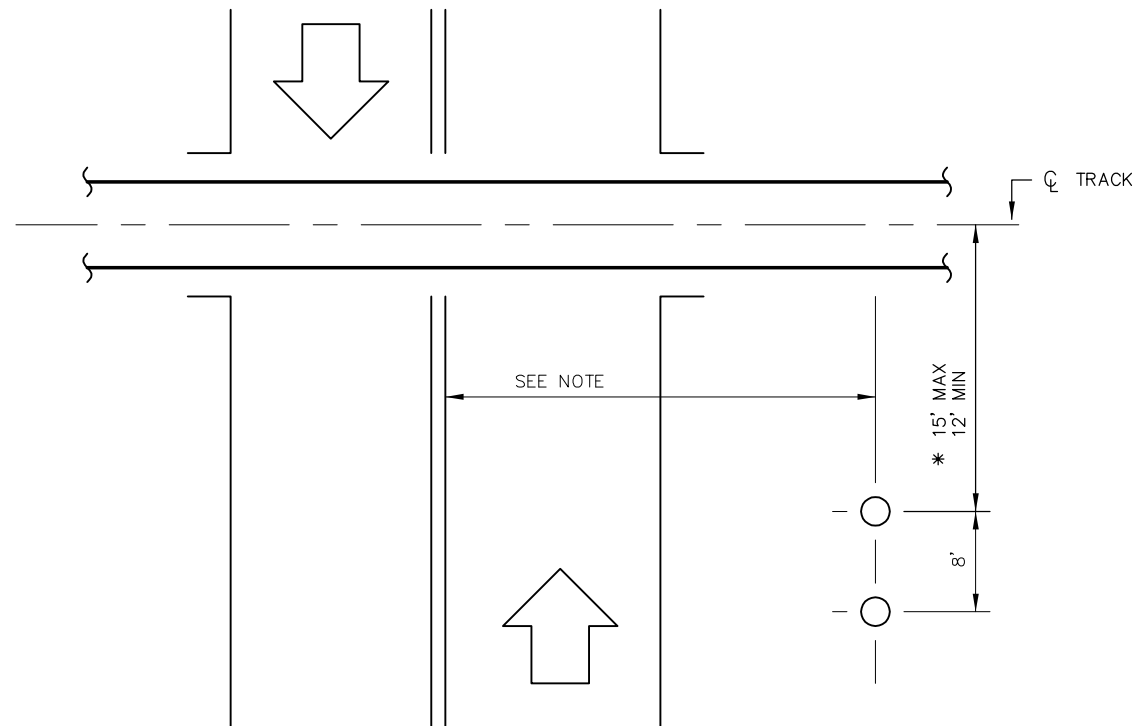
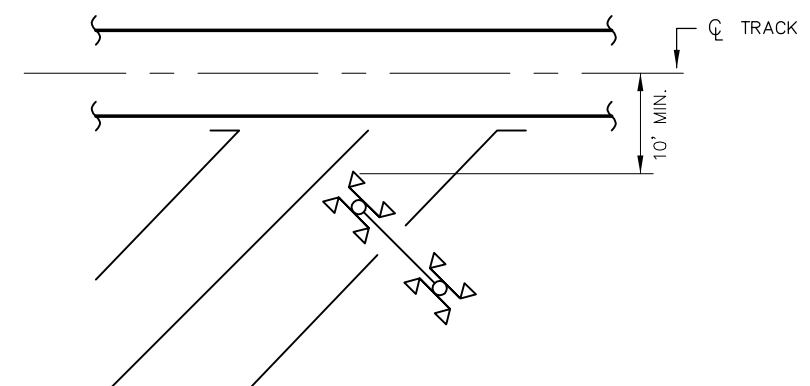
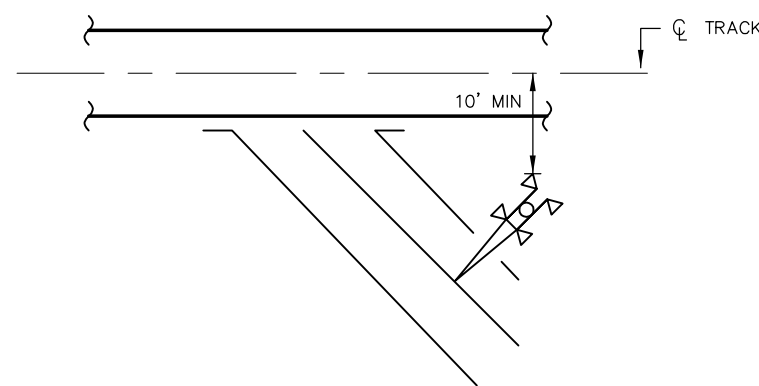
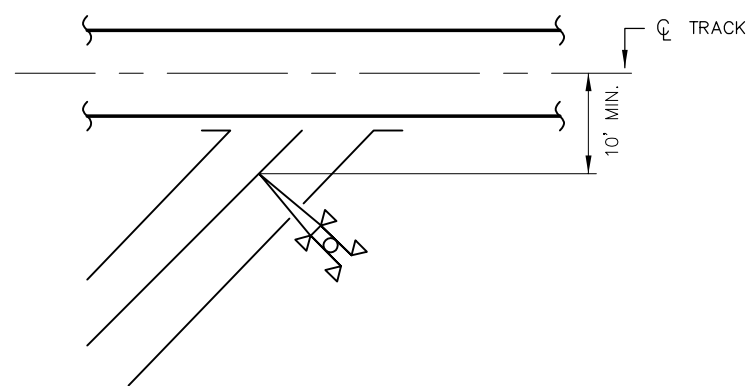
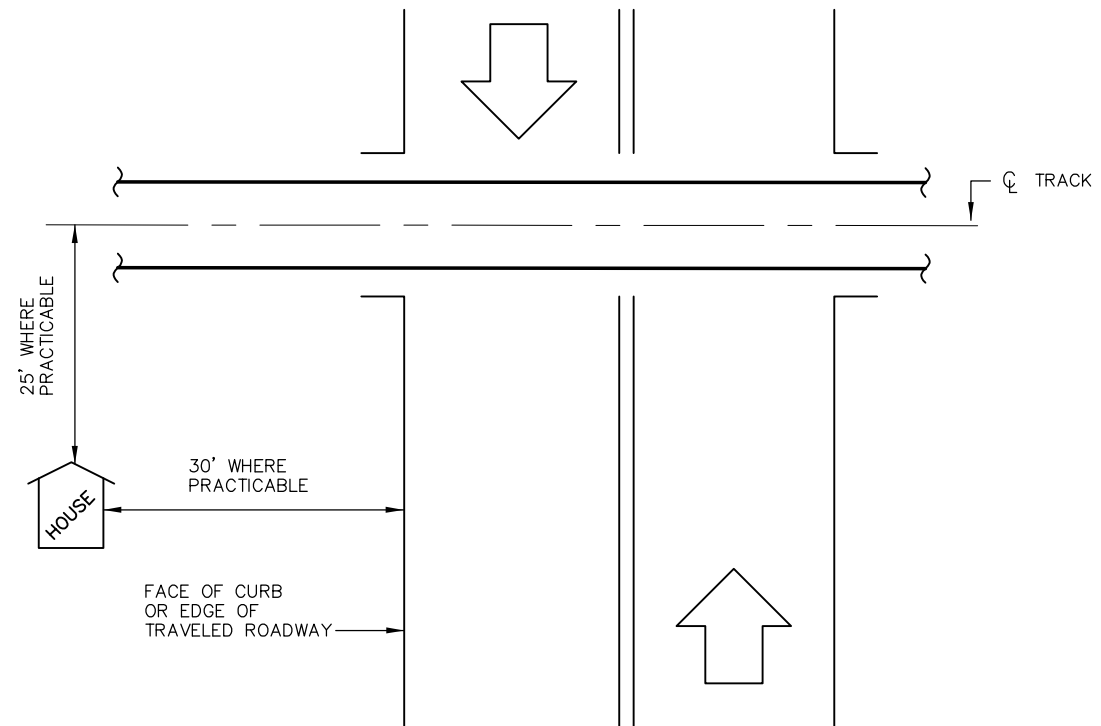


LOCATION OF AUTOMATIC WARNING DEVICE WHERE CANTILEVERS AND GATES ARE REQUIRED



LOCATION OF HOUSE FROM STREET AND TRACK



MINIMUM CLEARANCE OF AUTOMATIC WARNING DEVICES ANGLED CROSSINGS

NOTE:

EITHER CANTILEVER OR GATE MAY BE CLOSEST TO TRACK AS LOCAL CONDITIONS REQUIRE AND IF AUTHORIZED BY CALTRAIN.


REV	DATE	BY	CHK	APP	DESCRIPTION

**PENINSULA CORRIDOR JOINT POWERS BOARD**

APPROVED BY:

*Bernard Anagnostis*      *Steph Chen*

ENGINEERING MANAGER      DEPUTY DIRECTOR OF ENGINEERING



1250 San Carlos Avenue  
San Carlos, CA 94070

**STANDARD DRAWINGS**

SIGNAL AND COMMUNICATION  
HIGHWAY GRADE CROSSING APPARATUS  
LOCATION OF AUTOMATIC  
WARNING DEVICES

CADD FILE NO.: SD-5420	
REV 0	DATE 093011
SIGNAL	
STANDARD NO.: SD-5420	