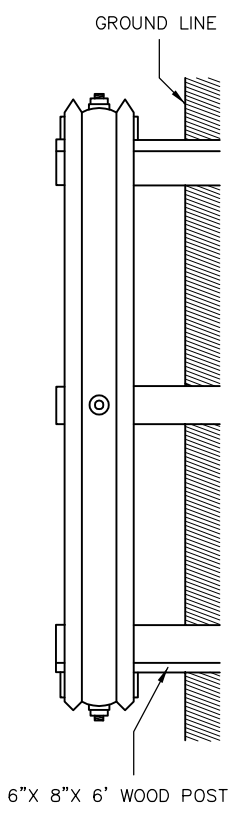
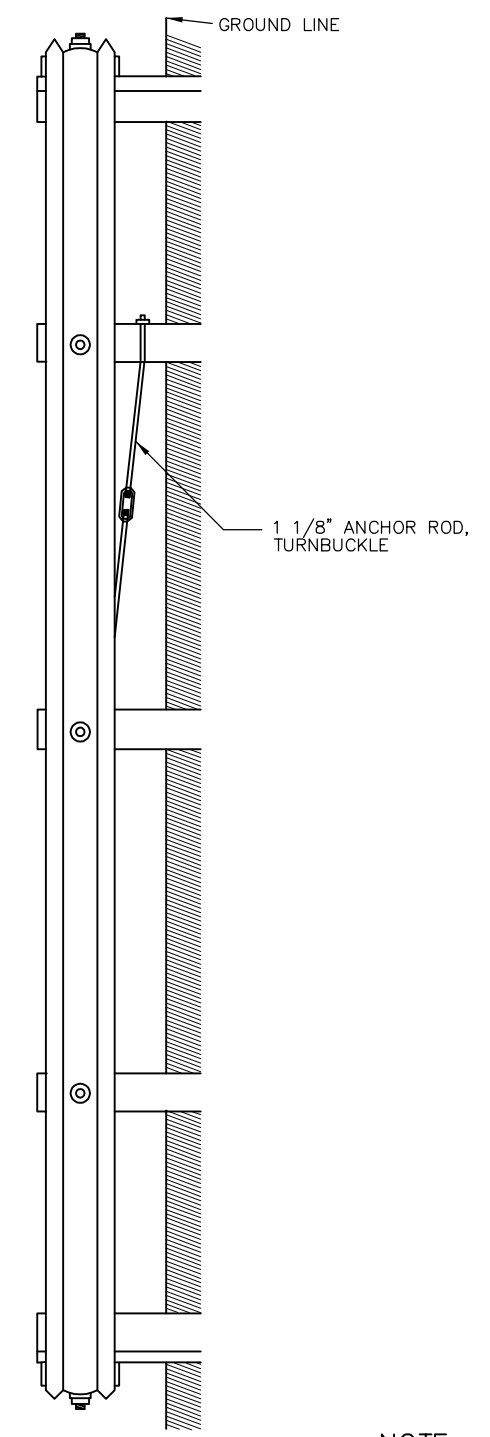
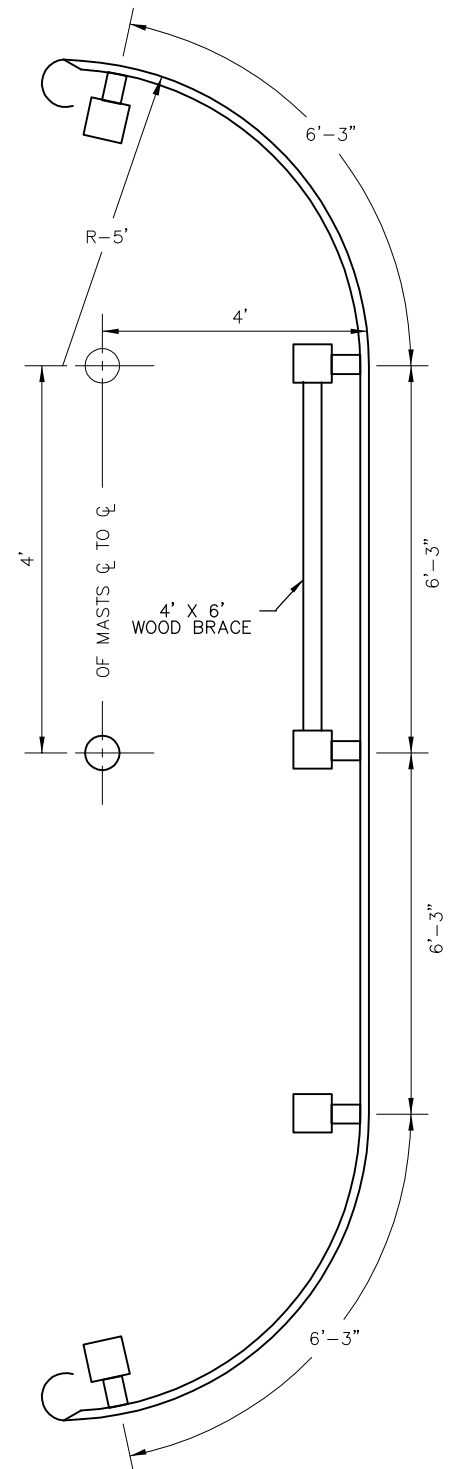


DETAIL OF TERMINAL SECTION



← GUARD FENCE PROTECTION OF SINGLE RAILROAD SIGNAL BASE →

← GUARD FENCE PROTECTION OF DUAL RAILROAD SIGNAL BASE →



NOTE:
GUARD RAILS SHALL NOT BE INSTALLED WITHOUT APPROVAL OF CALTRAIN

FOR REFERENCE ONLY

REV	DATE	BY	CHK	APP	DESCRIPTION

PENINSULA CORRIDOR JOINT POWERS BOARD

APPROVED BY:




ENGINEERING MANAGER DEPUTY DIRECTOR OF ENGINEERING



STANDARD DRAWINGS

SIGNAL AND COMMUNICATION
HIGHWAY GRADE CROSSING APPARATUS
TYPICAL GUARD RAILS
FOR HIGHWAY CROSSING

CADD FILE NO.: SD-5417	
REV 0	DATE 093011
SIGNAL	
STANDARD NO.: SD-5417	