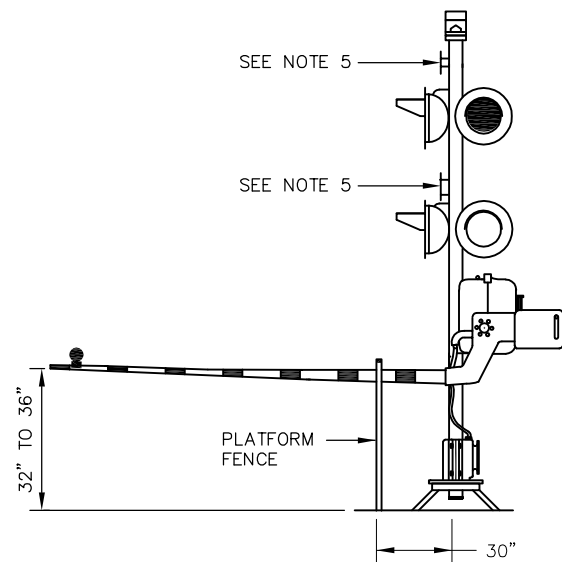
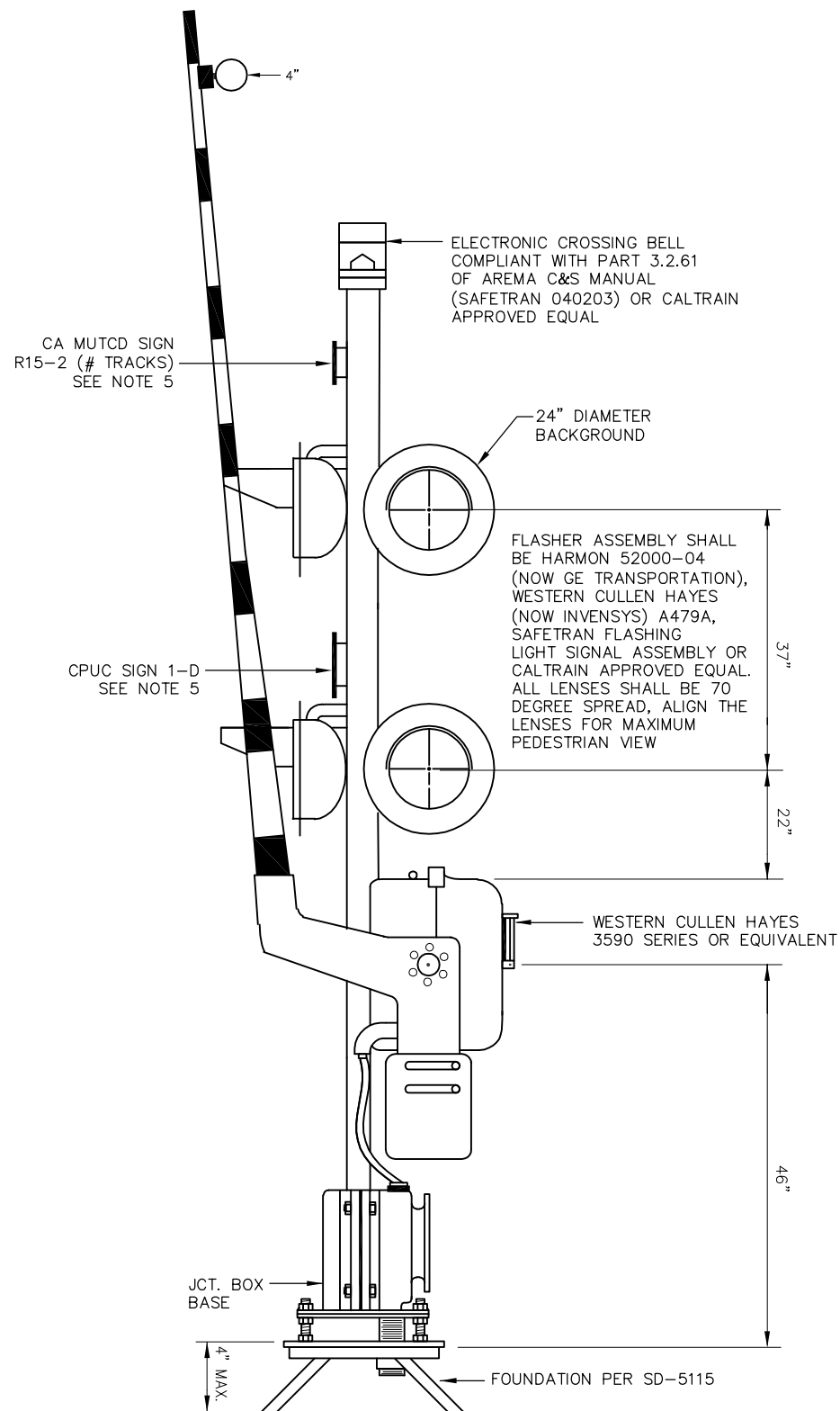


PLAN VIEW



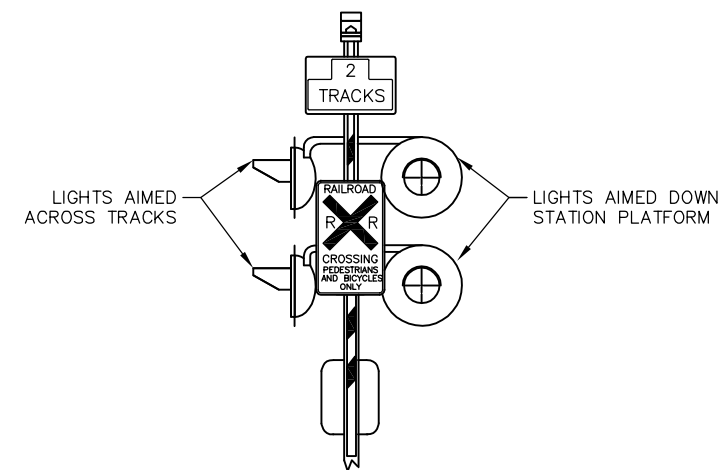
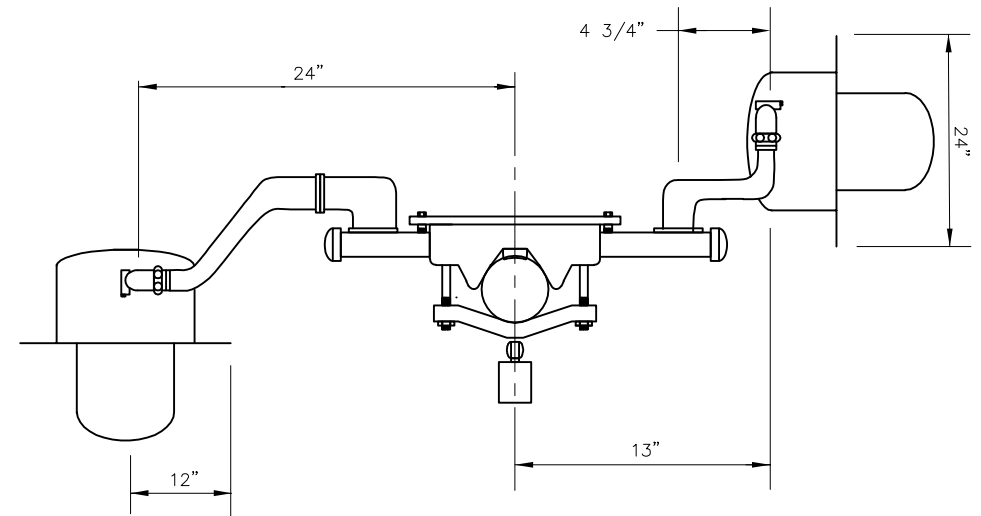
SIDE VIEW

TYPICAL LOCATION



SIDE VIEW

GATE ASSEMBLY PER SD-5409 WITH ADDITION OF PEDESTRIAN APPURTENANCES



NOTES:

1. PER CPUC GENERAL ORDER #75D, SIGNAL AT ALL NEW LOCATIONS SHALL HAVE LED FLASHER ASSEMBLIES
2. LIGHT ASSEMBLIES SHALL BE PLACED SO AS NOT TO INTERFERE WITH GATE ARM MOVEMENT
3. INSTALL BACKLIGHTS WHERE NECESSARY
4. LOCATE TIP LIGHT 12" FROM TIP OF GATE
5. SEE SD-7000 SERIES DRAWINGS FOR SIGNAGE AND MOUNTING DETAILS
6. SMOOTHEN GATE TIP FROM BURNS AND SHARP EDGES

REV	DATE	BY	CHK	APP	DESCRIPTION	REV	DATE	BY	CHK	APP	DESCRIPTION

**PENINSULA CORRIDOR JOINT POWERS BOARD**

APPROVED BY:

ENGINEERING MANAGER

DEPUTY DIRECTOR OF ENGINEERING

1250 San Carlos Avenue  
San Carlos, CA 94070

**STANDARD DRAWINGS**

SIGNAL AND COMMUNICATION  
HIGHWAY GRADE CROSSING APPARATUS  
PEDESTRIAN WARNING DEVICE  
STATION PED CROSSING GATE

CADD FILE NO.: SD-5410	
REV 0	DATE 093011
SIGNAL	
STANDARD NO.: SD-5410	