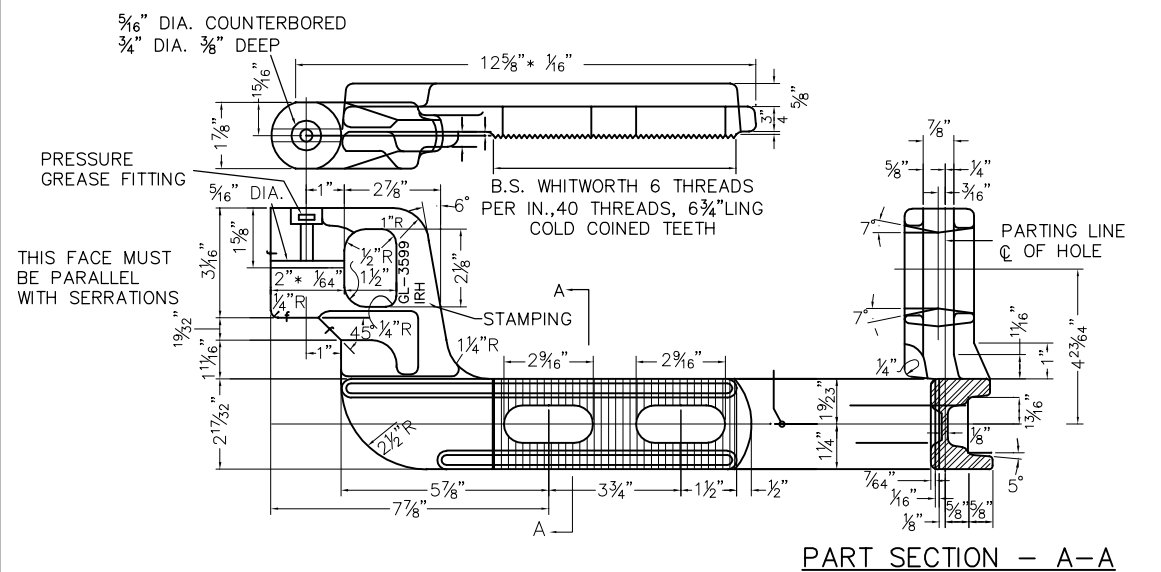
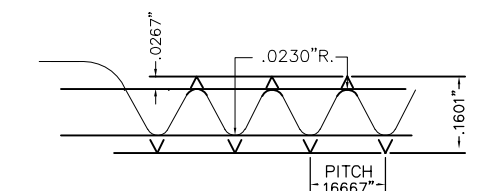


**NO.1 SWITCH ROD ASSEMBLY**  
(SHOW ON MACHINE ON RIGHT)  
SEE NOTE-2

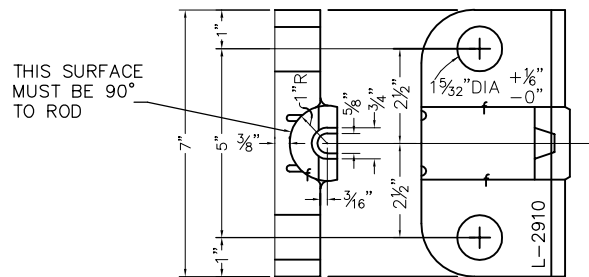
WEIGHT OF RAIL & LENGTH OF SWITCH	BILL OF MATERIAL FOR 1 TYPE "MJ" SWITCH ROD ASSEMBLY					4603-1
	# REQ'D.	PART #	MATERIAL SPECIF.	DESCRIPTION	DETAIL REMARKS	
ALL	1	M-J-I-L	S.A.E.1020-FOR.STL.	L.H. BEARING CLIP	GL-3598, LH, MACHINED PER DETAIL	
ALL	1	M-J-I-R	S.A.E.1020-FOR.STL.	R.H. BEARING CLIP	GL-3599, RH, MACHINED PER DETAIL	
ALL	4		H.T.C.S.	WEB BOLT	SEE NOTE	
115 TO 136 11' TO 30'	2	DD-2	MALLEABLE IRON	BEARING	PATT. NO. L-2910, MACHINED PER DETAIL	
11' TO 30'	2	DD-10	MALLEABLE IRON	BEARING	PATT. NO. L-2910, MACHINED PER DETAIL	
132 & 136 39'	2	HE-1	MALLEABLE IRON	BEARING	PATT. NO. L-2915, MACHINED PER DETAIL	
115 TO 136 11' TO 30'	2	B-1	S.A.E.1045-FOR.STL.	OFFSET BEARING CAP	HEAT TREATED-BRINDELL-.225 TO .250	
132 & 136 39'	2	B-6	S.A.E.1045-FOR.STL.	OFFSET BEARING CAP	HEAT TREATED-BRINDELL-.225 TO .250	
11' TO 30'	2	B-6	S.A.E.1045-FOR.STL.	OFFSET BEARING CAP	HEAT TREATED-BRINDELL-.225 TO .250	
ALL	4	T-9	S.A.E.1020	SHIM RETAINER	1/8" X 2 3/4" X 2 1/4"	
ALL	12	T-6	STAINLESS STEEL	ADJUSTMENT SHIM	1/16" X 2" X 1 3/4"	
ALL	4	BP-10003-BM	WROT IRON	WROT WASHER	1 1/16" I.D. X 2" O.D. X 1/8" THICK	
ALL	4		H.T.C.S.	ROD BOLT	1" X 3 3/4" DR. 3 3/8" REG. SQ. HD. SLOTTED HEX NUT	
ALL	4		STEEL	SPG. LOX WASHER	FOR 1" ROD BOLTS	
ALL	4		STEEL	COTTER	1/4" X 1 3/4" FOR ROD BOLTS	
ALL	2		STEEL	GREASE FITTING	PRESSURE - FOR BEARING CLIP	
ALL	2	ST-705	S.A.E.1020	STEEL WASHER	1/4" X 1 3/8" X 6 1/4" - FOR ROD BOLTS	
115 TO 136 11' TO 30'	2		WOOD	FILLER STRIP	2" X 7" X 1 1/2" THICK - FOR SHIPPING	
132 & 136 39'	2		WOOD	FILLER STRIP	2" X 7" X 2 1/2" THICK - FOR SHIPPING	
MATERIAL FOR VERTICAL ROD						
112 TO 136 11' TO 30'	1			VERTICAL ROD	USE ONE-ST-708-1 USE ONE-ST-708-1 TWIST MACHINE AND DRILL END HOLE.	
132 & 136 39'	1			VERTICAL ROD	USE ONE-ST-708-2 USE ONE-ST-708-2 TWIST MACHINE AND DRILL END HOLE.	
ALL	4		MED.CARBON STEEL	CONN.& INSUL. BOLT	3/4" X 4"-TURNED, A.S.A. REG. HEX. NUT	
ALL	4		STEEL	SPRING WASHER	1/4" THICK	
ALL	4		STEEL	COTTER	3/16" X 1 1/2"	
ALL	1	ST-684	H.R. MILD STEEL	SPLICE PLATE	1/2" X 2 1/2" X 9 1/2" FOR INSULATION	
ALL	2	AP-34	AAR-SIG.SEC.13-52	ANGLE	1/8" X 2 1/2" X 4 13/16" HARD FIBRE-PARAFIN COATED	
ALL	4	B-11	AAR-SIG.SEC.13-52	BUSHING	1" O.D. HARD FIBRE-PARAFIN COATED	
ALL	1	C-1	AAR-SIG.SEC.13-52	CHANNEL	1/8" X 1" X 10" HARD FIBRE-PARAFIN COATED	
ALL	1		MALLEABLE IRON	ADJUSTMENT BRACKET		
ALL	2		MALLEABLE IRON	CONE ADJ. NUT	FOR 1 1/4" THROW ROD	



**ADJUSTABLE BEARING CLIP-M-J-I-R**  
CLIP M-J-I-L OPPOSITE HAND



**ENLARGED PROFILE OF SERRATIONS**



**BEARING - DD-2**

**NOTES:**

- PARTS MAY BE PROCURED SEPARATELY. WHEN A BEARING CLIP ASSEMBLY ONLY IS REQUIRED, SPECIFY WHETHER IT IS FOR CLIP MJ-I-R OR MJ-I-L INCLUDING RAIL SECTION AND LENGTH OF SWITCH. ALL PARTS SHOWN IN BILL OF MATERIAL SHALL BE FURNISHED WITH CLIP ASSEMBLIES
- WHEN AN INDIVIDUAL PART IS REQUIRED, ORDER BY PART NUMBER. CLIP ASSEMBLIES TO BE USED ON 112-LB. SWITCHES SHALL HAVE BEARING CAP B-6 APPLIED WITH THE BOTTOM SIDE UP AS SHOWN IN ELEVATION ON SHEET-2 OF THIS DRAWING IN ORDER TO SEAT CLIP ON BEARING AT PROPER HEIGHT
- WHEN COMPLETE RODS ARE ORDERED THEY SHALL BE ASSEMBLED AND INCLUDE ALL PARTS SHOWN IN BILL OF MATERIAL. ORDERS SHALL SPECIFY RAIL SECTION AND LENGTH OF SWITCH. ON INTERLOCKED SWITCHES WITH AUXILIARY THROW ROD, MACHINE SIDE (RIGHT OR LEFT) SHALL ALSO BE SPECIFIED. HOWEVER, THE TWISTED END OF ROD MAY BE POSITIONED FOR OPPOSITE SIDE OF SWITCH BY REMOVING THE ROD BOLTS AND TURNING ROD PORTION OF ASSEMBLY END FOR END 180°

(NOTES CONTINUED ON SHEET 2 OF 2)

FOR REFERENCE ONLY  
FOR 112, 115, 119, 131, 132, AND 136 LB RAIL

REV					DATE					BY					CHK					APP					DESCRIPTION				
<b>PENINSULA CORRIDOR JOINT POWERS BOARD</b> APPROVED BY: <i>Bernard Anzures</i> <i>Stephen Chen</i> ENGINEERING MANAGER      DEPUTY DIRECTOR OF ENGINEERING															<b>STANDARD DRAWINGS</b> SIGNAL AND COMMUNICATION SWITCH APPARATUS RACOR TYPE "MJ" NO. 1 INSULATED SWITCH ROD, SHEET 1 OF 2					CADD FILE NO.: SD-5320 REV 0 DATE 093011 SIGNAL STANDARD NO.: SD-5320									



1250 San Carlos Avenue  
San Carlos, CA 94070