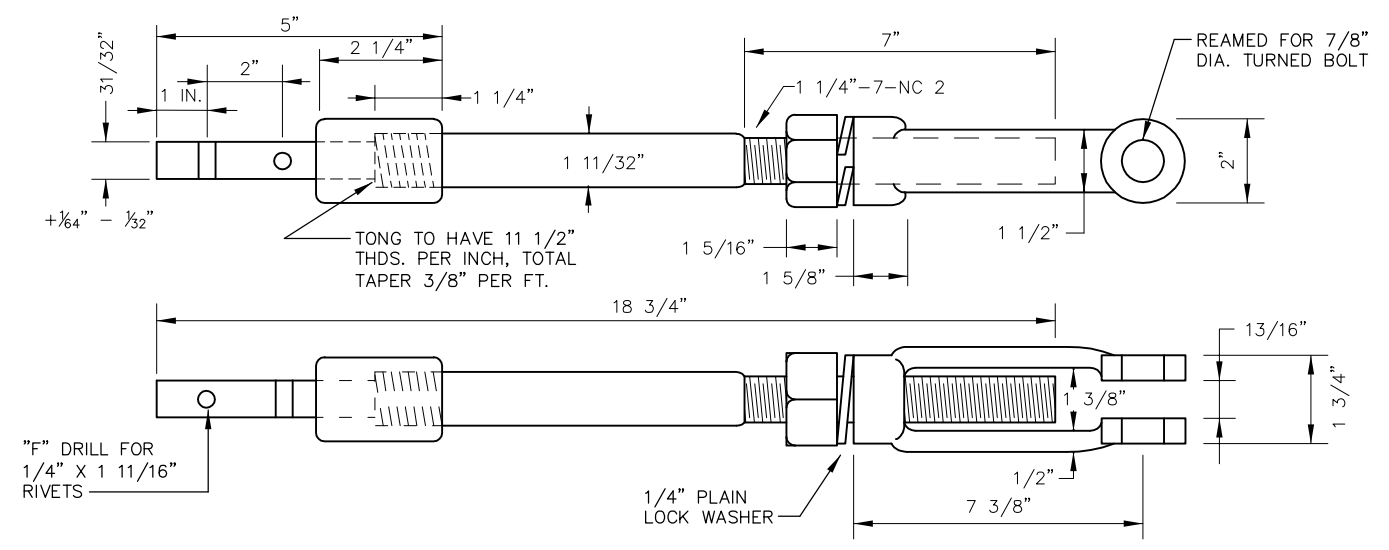
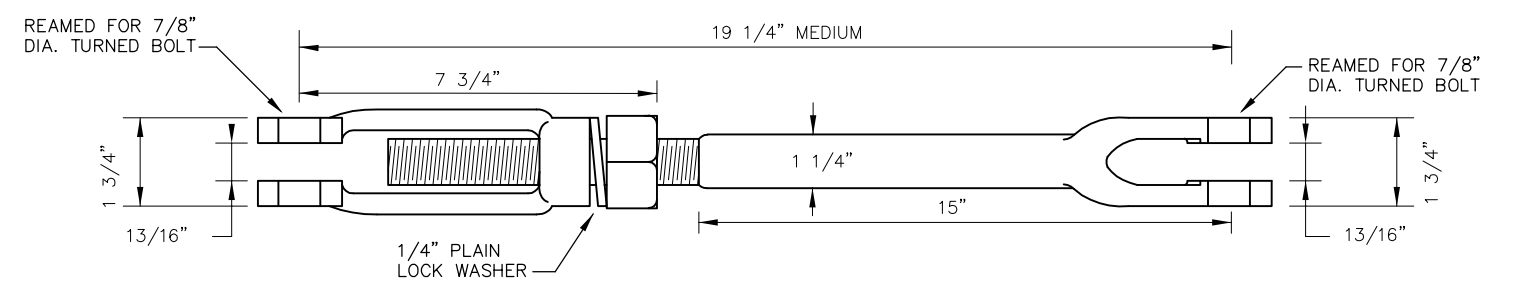


**NOTE:**

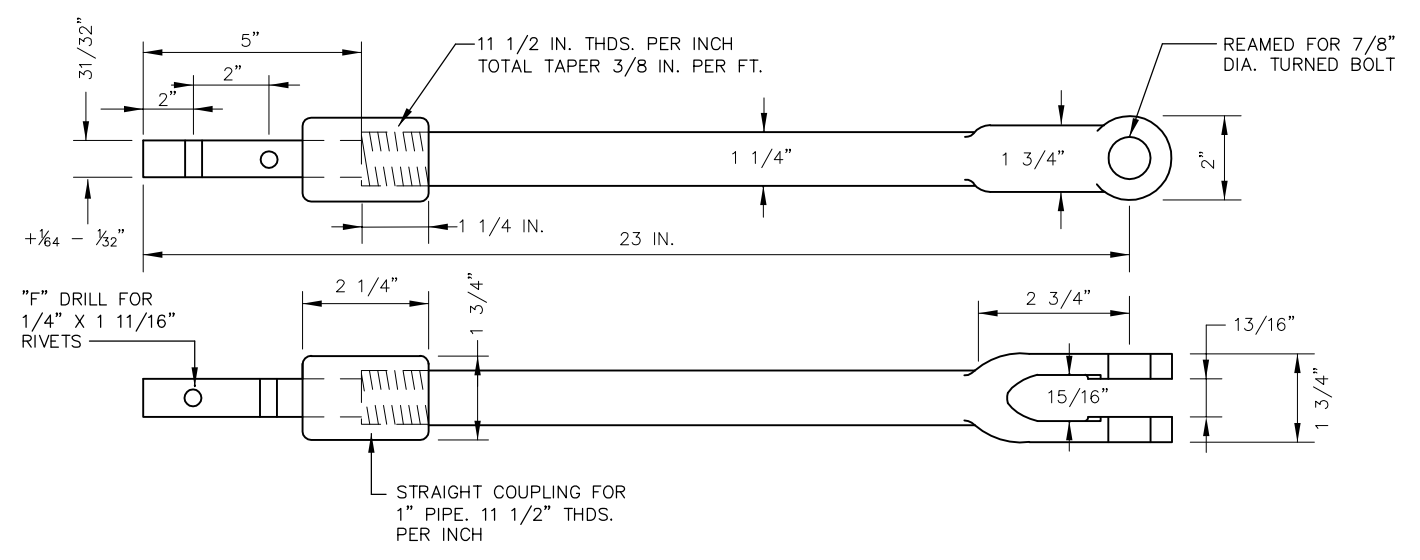
GALVANIZED 1" PIPE SHALL BE SECURED TO SCREW JAW AND SOLID JAW WITH A MINIMUM OF TWO RIVETS.



**SCREW JAW**



**ADJUSTABLE LINK**

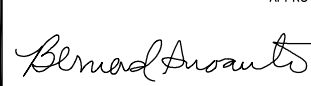




**SOLID JAW**

REV	DATE	BY	CHK	APP	DESCRIPTION

**PENINSULA CORRIDOR JOINT POWERS BOARD**

APPROVED BY:



1250 San Carlos Avenue  
San Carlos, CA 94070

STANDARD DRAWINGS		CADD FILE NO.:
SIGNAL AND COMMUNICATION SWITCH APPARATUS		SD-5318
REV	DATE	
0	093011	
SIGNAL		
STANDARD NO.:		SD-5318