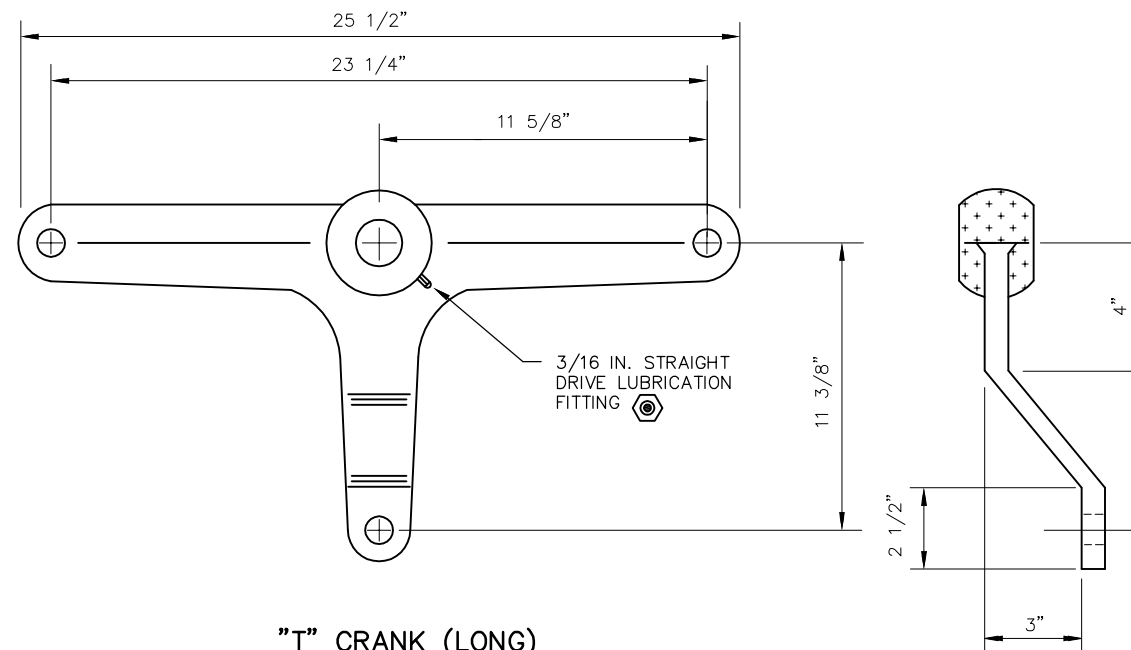
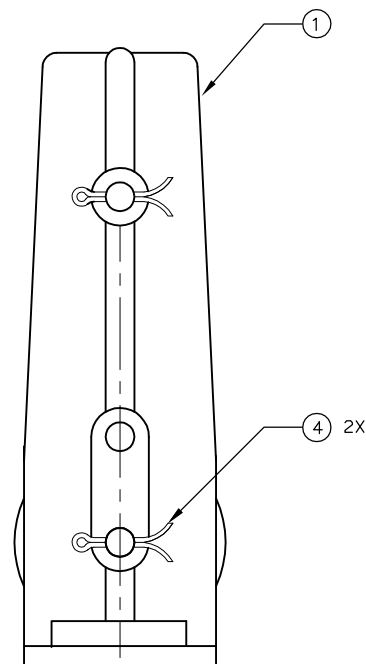


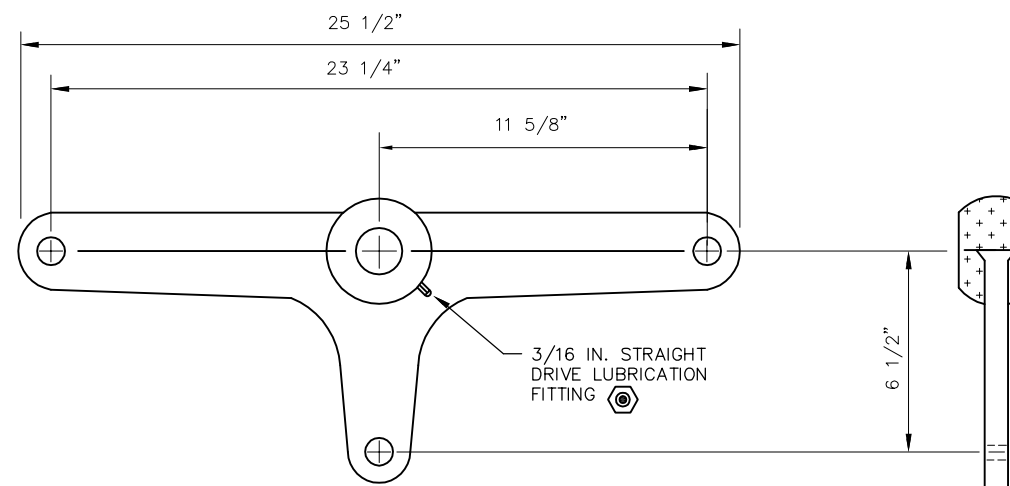
**PIPE GUIDE**

1. PIPE CARRIER STAND
2. PIPE CARRIER ROLLER (LOWER)
3. PIPE CARRIER ROLLER (UPPER)
4. COTTER PIN FOR ROLLERS



**"T" CRANK (LONG)**

DRILL & REAM FOR 7/8" PIN  
MANUFACTURER OF HELPER ROD  
ASSEMBLY TO DETERMINE FINAL  
DIMENSIONS



**"T" CRANK (SHORT)**

DRILL & REAM FOR 7/8" PIN  
MANUFACTURER OF HELPER ROD  
ASSEMBLY TO DETERMINE FINAL  
DIMENSIONS

REV	DATE	BY	CHK	APP	DESCRIPTION	REV	DATE	BY	CHK	APP	DESCRIPTION

**PENINSULA CORRIDOR JOINT POWERS BOARD**

APPROVED BY:

ENGINEERING MANAGER

DEPUTY DIRECTOR OF ENGINEERING

1250 San Carlos Avenue  
San Carlos, CA 94070

**STANDARD DRAWINGS**

SIGNAL AND COMMUNICATION  
SWITCH APPARATUS  
TYPICAL "T" CRANK & PIPE GUIDE  
AUXILIARY CONNECTION

CADD FILE NO.: SD-5316	
REV 0	DATE 093011
SIGNAL	
STANDARD NO.: SD-5316	