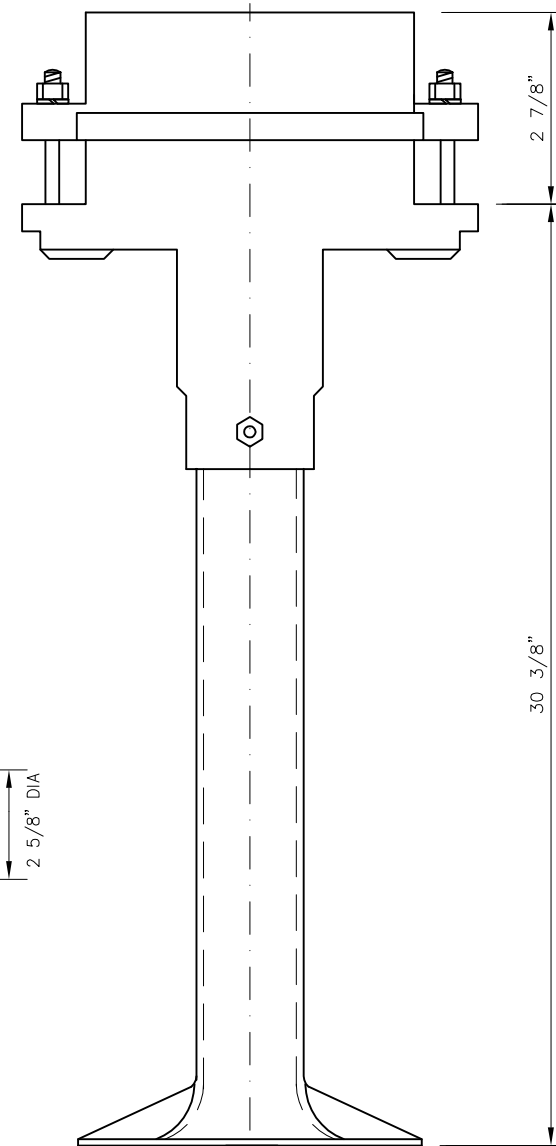
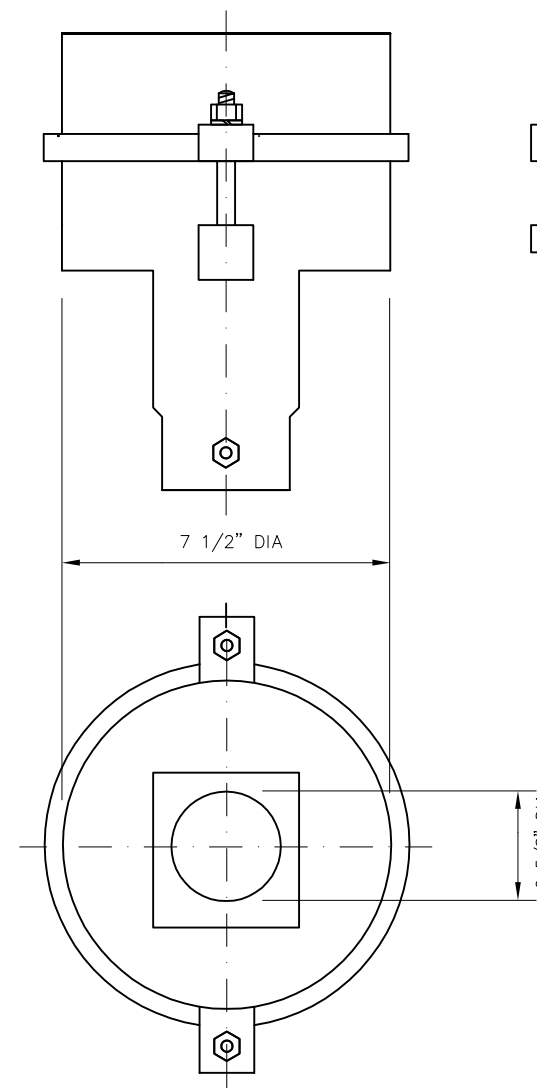


STANDARD TYPE



ALTERNATE TYPE

NOTES:

1. STANDARD JUNCTION BOX SHALL CONTAIN A MINIMUM OF 36 AAR TERMINALS
2. ALTERNATE JUNCTION BOX SHALL CONTAIN A MINIMUM OF 12 AREMA C&S MANUAL PART 14.1.5 TERMINAL - TO BE USED ON NEW INSTALLATIONS ONLY WITH APPROVAL OF THE ENGINEER
3. ONLY ONE SOLID WIRE PER TERMINAL INCLUDING SPARES
4. HMAc INSTALLATION - PEDESTAL MODIFICATION. TOP OF BOX LID LEVEL WITH TOP OF TIE
5. GALVANIZED RIGID STEEL (GRS) MAY BE USED IN LIEU OF PEDESTAL AS PART OF A CONDUIT AND PULL BOX INSTALLATION

REV	DATE	BY	CHK	APP	DESCRIPTION

PENINSULA CORRIDOR JOINT POWERS BOARD

APPROVED BY:

ENGINEERING MANAGER

DEPUTY DIRECTOR OF ENGINEERING

1250 San Carlos Avenue
San Carlos, CA 94070

STANDARD DRAWINGS		CADD FILE NO.:
SIGNAL AND COMMUNICATION SWITCH APPARATUS TYPICAL PEDESTAL JUNCTION BOX		SD-5301
REV	DATE	
0	093011	
SIGNAL		
STANDARD NO.:		SD-5301