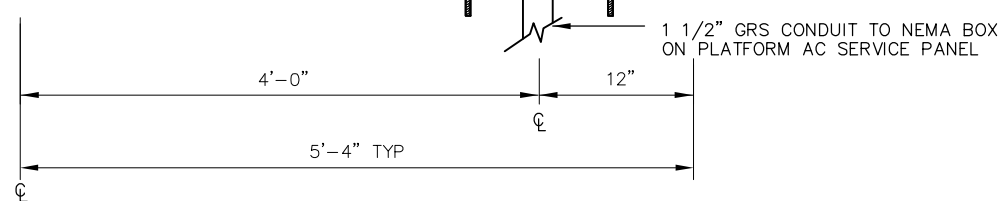
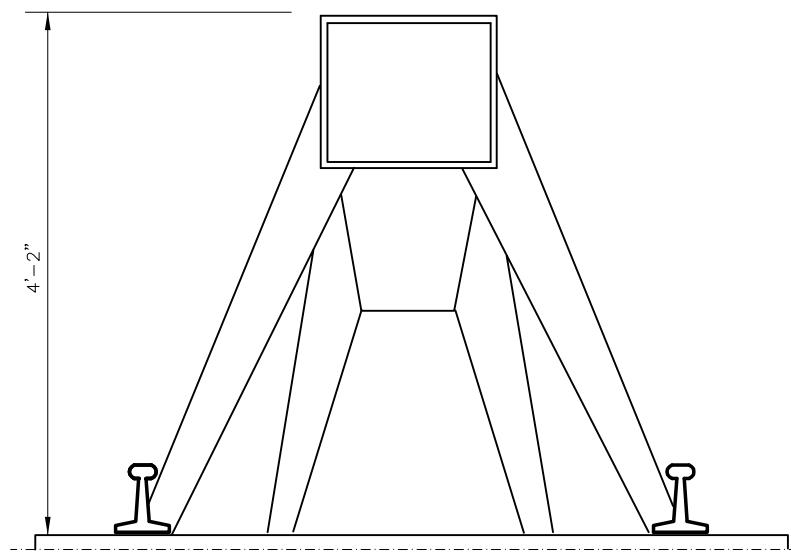
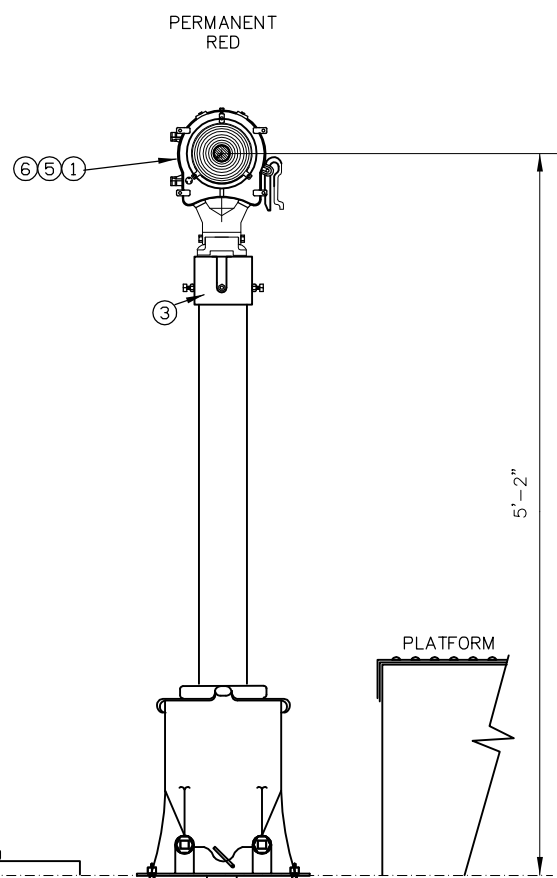
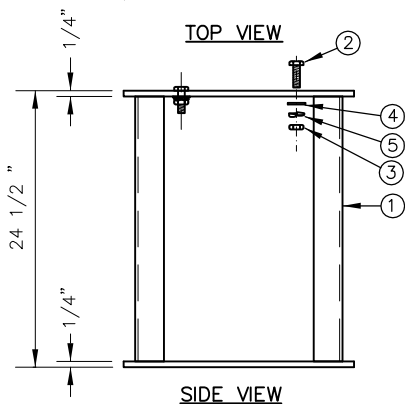
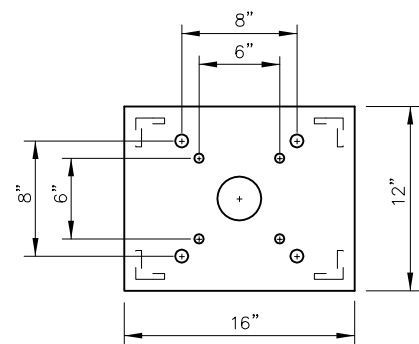


L&W INDUSTRIES DWARF SIGNAL OR EQUIVALENT

FOUNDATION #8A20133-X

| ITEM | PART # | QTY | DESCRIPTION |
|------|---------|-----|----------------------------------|
| 1 | 8B20133 | 1 | DWARF FOUNDATION WELDMENT |
| 2 | KA95491 | 4 | 3/4-10 X 2 1/2 HEX HEAD BOLT Z/Y |
| 3 | KD96182 | 4 | 3/4-10 HEX NUT Z/Y |
| 4 | KE97431 | 4 | 3/4" SPLIT LOCK WASHER Z/Y |
| 5 | KF97146 | 4 | 3/4" FLAT WASHER Z/Y |

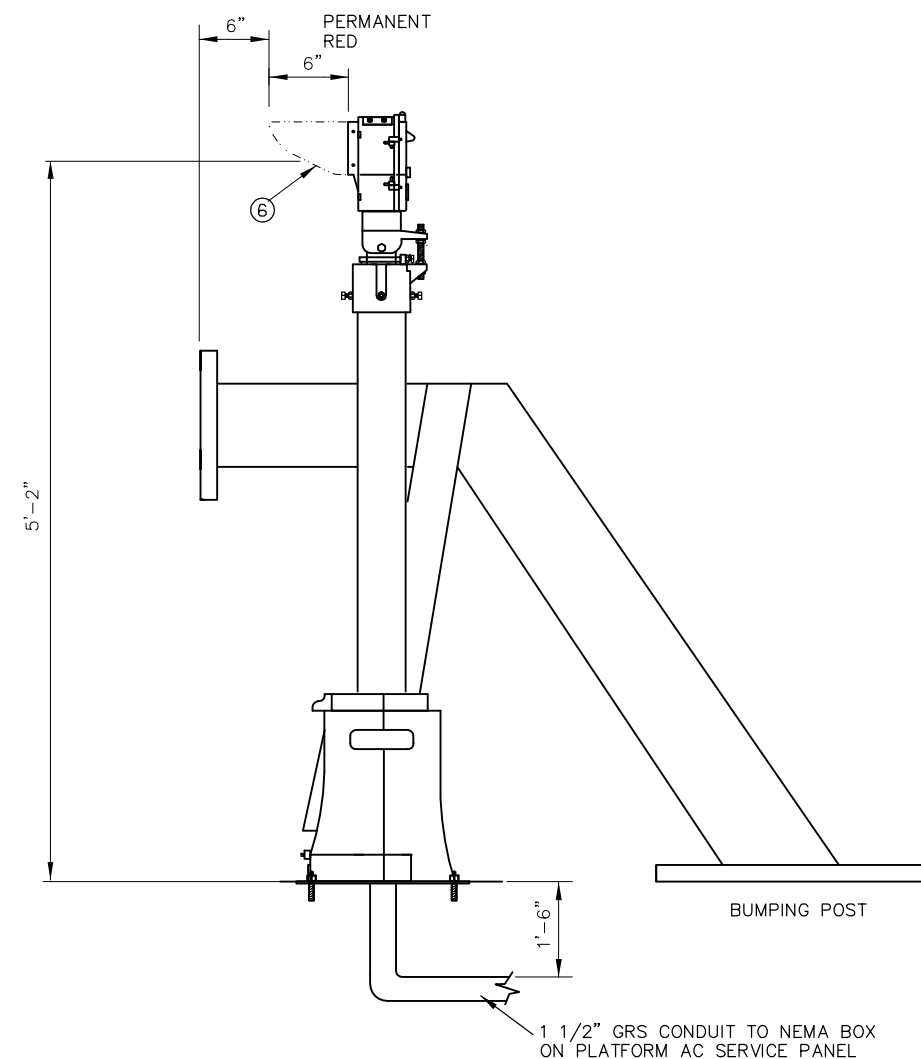


BUMPING POST

**INVENSYS CLS20R SIGNAL OR EQUIVALENT
ONE ASPECT (RED) WITH TOP OF MAST MOUNTING BRACKET**

**INVENSYS CLS20R COLOR
LIGHT OR EQUIVALENT SIGNAL HEAD**

| ITEM | QTY. | U.O.M | PART # | DESCRIPTION | * NOT SHOWN |
|------|------|-------|-------------|------------------------------------|-------------|
| 1 | 1 | EA. | EM-3411-CR | COLOR LIGHT SINGLE HEAD RED | |
| 2 | 1 | EA. | EM-3411-CL | COLOR LIGHT SINGLE HEAD LUNAR | * |
| 3 | 1 | EA. | 044011-4X | TOP OF 5" MAST MOUNTING BRACKET | |
| 4 | 1 | EA. | 044027-2X | DWARF BASE 8"x8" BOLT SPACING | * |
| 5 | 1 | EA. | 042365-3 | LAMP 10 VOLT 25 WATT | |
| 6 | 1 | EA. | 042005-X1 | VISOR STEEL WITH MOUNTING HARDWARE | |
| 7 | 1 | EA. | 035800-900X | SIGNAL FOUNDATION STEEL | * |

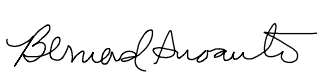




NOTE: INVENSYS, FORMERLY SAFETRAN

| REV | DATE | BY | CHK | APP | DESCRIPTION |
|-----|------|----|-----|-----|-------------|
| | | | | | |
| | | | | | |
| | | | | | |

PENINSULA CORRIDOR JOINT POWERS BOARD

APPROVED BY:



1250 San Carlos Avenue
San Carlos, CA 94070

STANDARD DRAWINGS

SIGNAL AND COMMUNICATION
SIGNAL APPARATUS
TYPICAL SIGNAL LAYOUT, PERMANENT
RED END OF PLATFORM LIGHTS

CADD FILE NO.: SD-5216

REV 0 DATE 093011

SIGNAL

STANDARD NO.: SD-5216