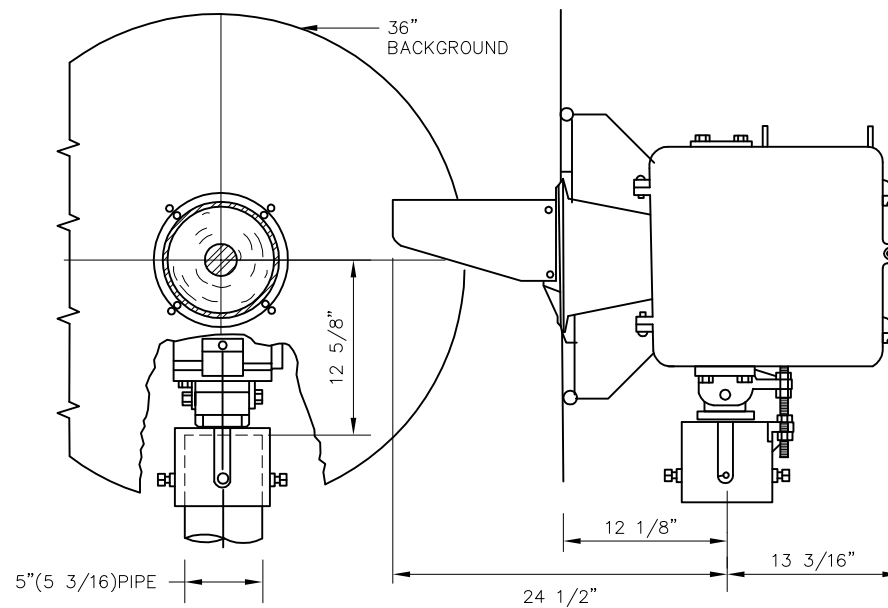
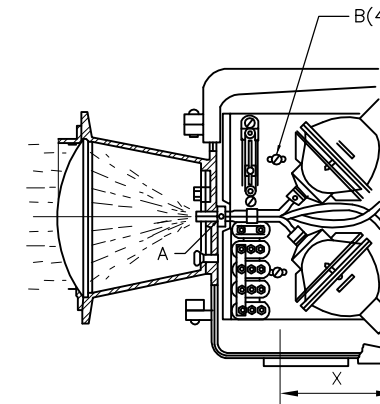


**SIGNAL FOCUS**

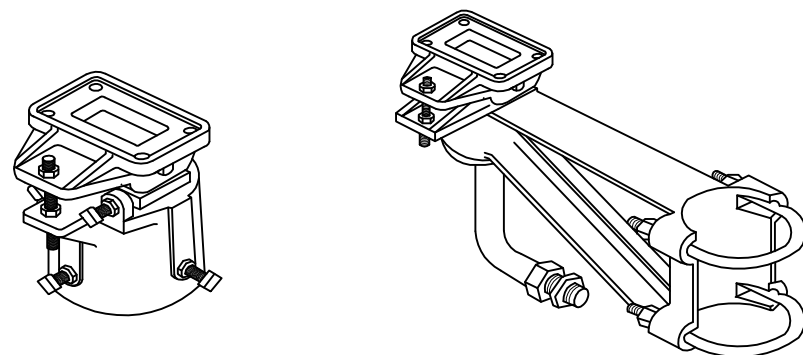


**TOP OF MAST MOUNTED**



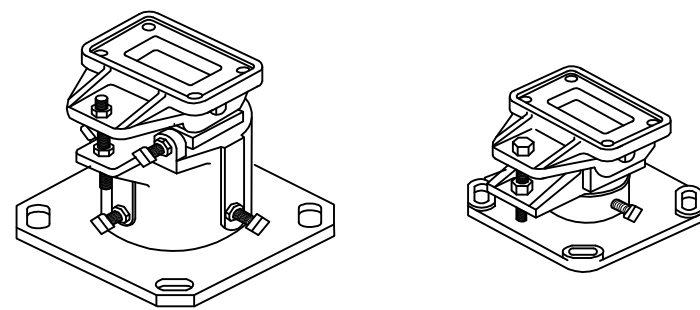
**LENSES**

DIAMETER	FOCAL LENGTH	DEFLECTION	MATERIAL
8-3/8"	6"	NONE	CLEAR PLASTIC
8-3/8"	6"	40° CENTERSPOT	CLEAR PLASTIC
8-3/8"	NONE	15° DEFLECTING ROUND*	CLEAR PLASTIC
6-3/8"	3-3/4"	UNIVERSAL **	CLEAR PLASTIC



TOP OF MAST MOUNTING

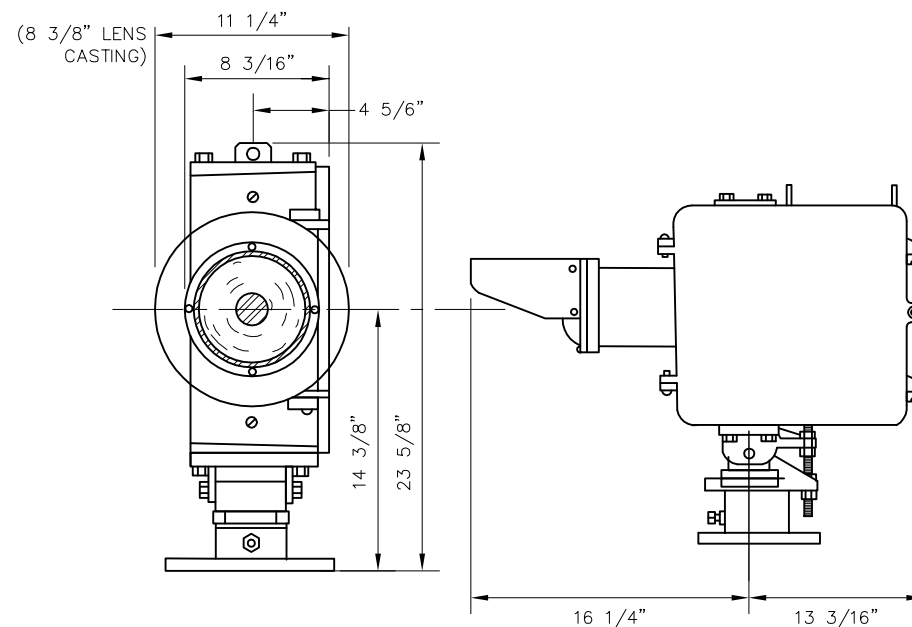
SIDE OR FRONT OF MAST MOUNTING



MOUNTING BASE  
8" X 8" BOLT SPACING

MOUNTING BASE  
6-3/4" X 6-3/4"  
BOLT SPACING

**MOUNTING BRACKETS**



**DWARF BASE MOUNTED**  
OUTER DIMENSIONS

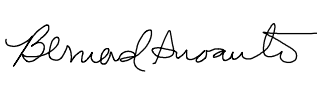

**NOTES:**

1. LOOSEN LIGHT GUIDE HOLDING SCREW A AND THE FOUR PANEL SCREWS B
2. SET DISTANCE "X" FROM THE END OF THE LIGHT GUIDE TO FACE OF LENS CASTING PER TABLE, BY SLIDING THE PANEL FORWARD OR BACK AS REQUIRED
3. CHECK LIGHT INDICATION AND ADJUST FOCAL LENGTH SETTING FOR OPTIMUM COLLIMATED BEAM INDICATION
4. TIGHTEN SCREWS A AND B
5. UNI-LENS SHOWN, HOWEVER LED LENSES SHALL BE INSTALLED IF THEY FIT INTO THE SIGNALS


REV	DATE	BY	CHK	APP	DESCRIPTION	REV	DATE	BY	CHK	APP	DESCRIPTION

**PENINSULA CORRIDOR JOINT POWERS BOARD**

APPROVED BY:

ENGINEERING MANAGER      DEPUTY DIRECTOR OF ENGINEERING



1250 San Carlos Avenue  
 San Carlos, CA 94070

STANDARD DRAWINGS		CADD FILE NO.:
SIGNAL AND COMMUNICATION SIGNAL APPARATUS		SD-5215
TYPICAL DWARF SIGNAL LENSES		REV 0 DATE 093011
		SIGNAL
		STANDARD NO.:
		SD-5215