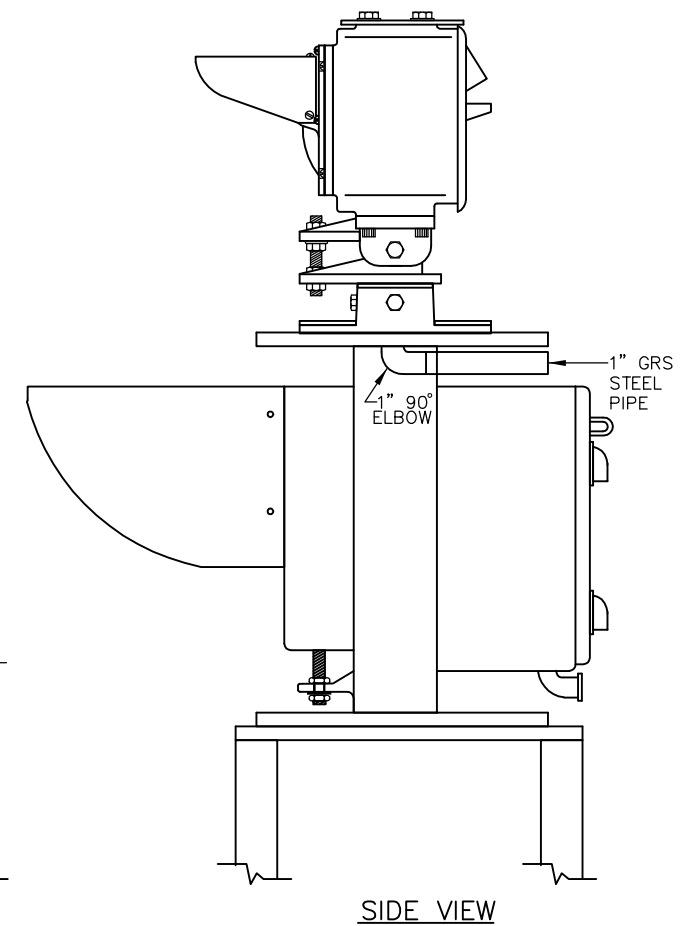
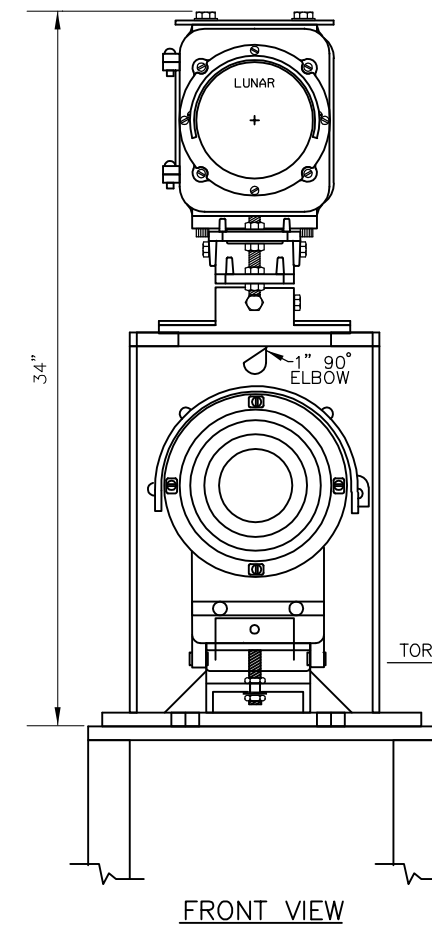
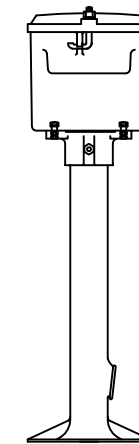
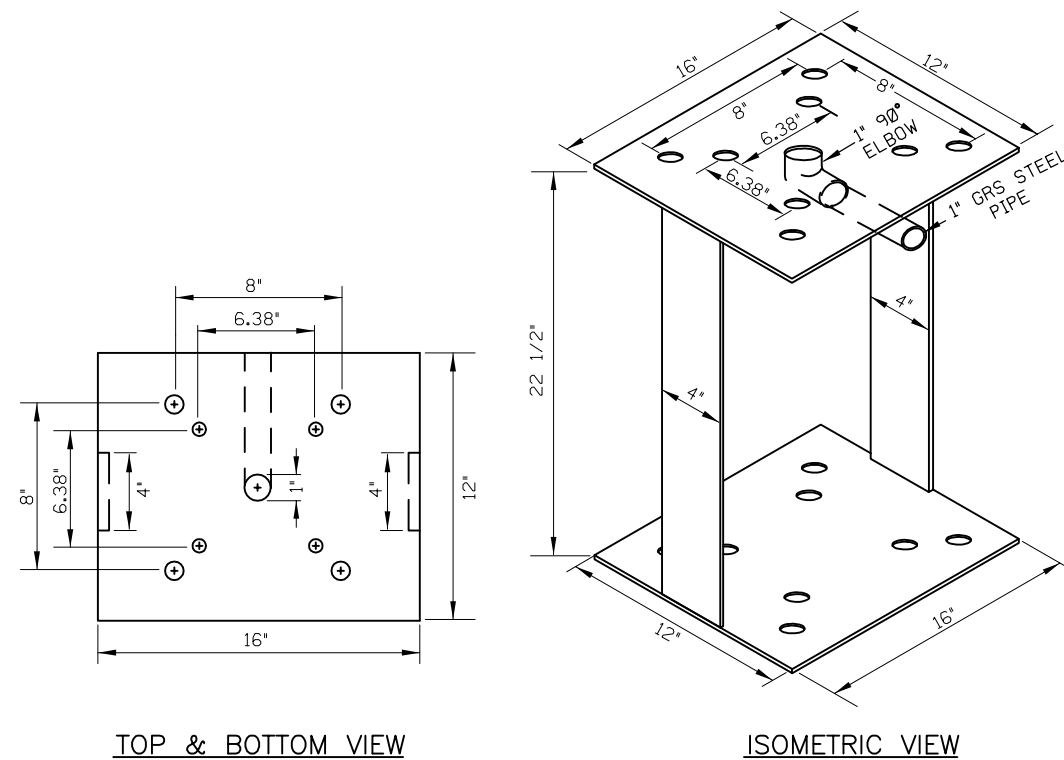
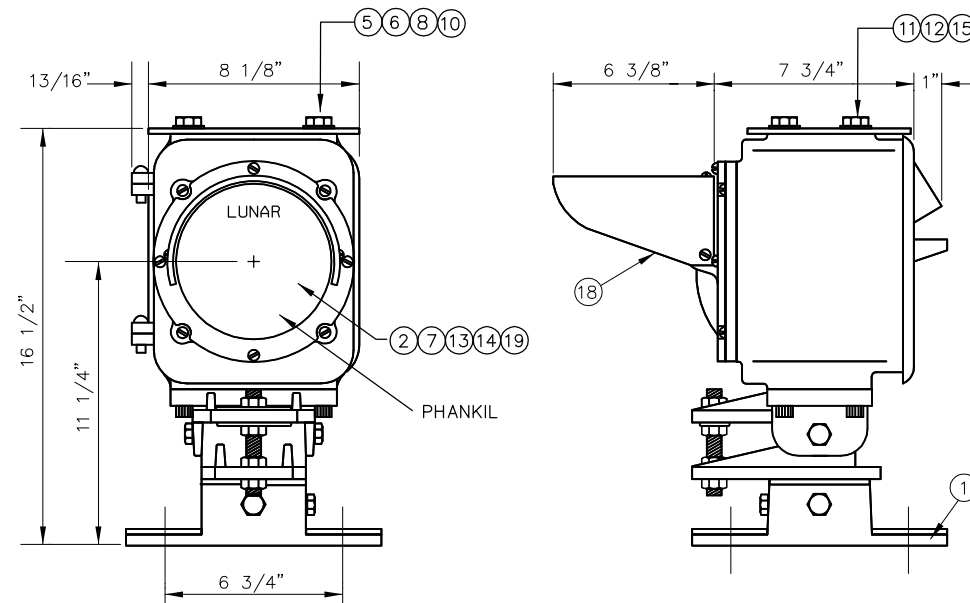


ITEM	PART #	QTY	DESCRIPTION
1	8B20133	1	DWARF FOUNDATION WELDMENT
2	KA95491	4	3/4-10 x 2 1/2 HEX HEAD BOLT Z/Y
3	KD96182	4	3/4-10 HEX NUT Z/Y
4	KE97431	4	3/4" FLAT WASHER Z/Y
5	KF97146	4	3/4" SPLIT LOCK WASHER Z/Y



ITEM NO:	COMPONENT	DESCRIPTION	USAGE
1	042275-1X	BASE ASSY, DWARF	1
2	042609-X	HEAD CLS-10D 12VDC	1
5	042255-2	CAP, HOUSING	1
6	042268-3	GASKET	2
7	042365-3	BULB, 10V-25W	1
8	042268-2	WASHER 1/2-13	4
10	2108-SC	N HX 1/2-13	4
11	1812-MS	W LKS M 1/2	8
12	1730-SC	W FA 1/2 X 1-1/16	4
13	044075-	LENS 6-3/8 CLEAR	1
14	042257-4L	LENS 6-3/8 LUNAR	1
15	4169-SSC	CS SH 1/2-13 X 1.75	4
18	042005-X1	VISOR, STEEL 6-3/8	1
19		PHANKIL	

NOTES:

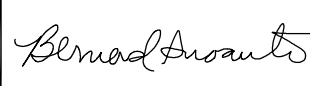

1. THE VERTICAL HEIGHT OF SIGNAL MARKER LIGHT SHALL NOT BE GREATER THAN 34 INCHES ABOVE TOP OF RAIL
2. THE VERTICAL HEIGHT OF A DWARF SIGNAL SHALL NOT BE GREATER THAN 34" ABOVE TOP OF ANY ADJACENT RAIL
3. INVENSYS, FORMERLY SAFETRAN

INVENSYS CLS-10D DWARF SIGNAL


REV	DATE	BY	CHK	APP	DESCRIPTION

PENINSULA CORRIDOR JOINT POWERS BOARD

APPROVED BY:

ENGINEERING MANAGER DEPUTY DIRECTOR OF ENGINEERING



1250 San Carlos Avenue
 San Carlos, CA 94070

STANDARD DRAWINGS

SIGNAL AND COMMUNICATION
 SIGNAL APPARATUS
 TYPICAL DWARF SIGNAL
 SIGNAL MARKER LIGHT

CADD FILE NO.: SD-5214
 REV 0 DATE 093011
 SIGNAL
 STANDARD NO.: SD-5214