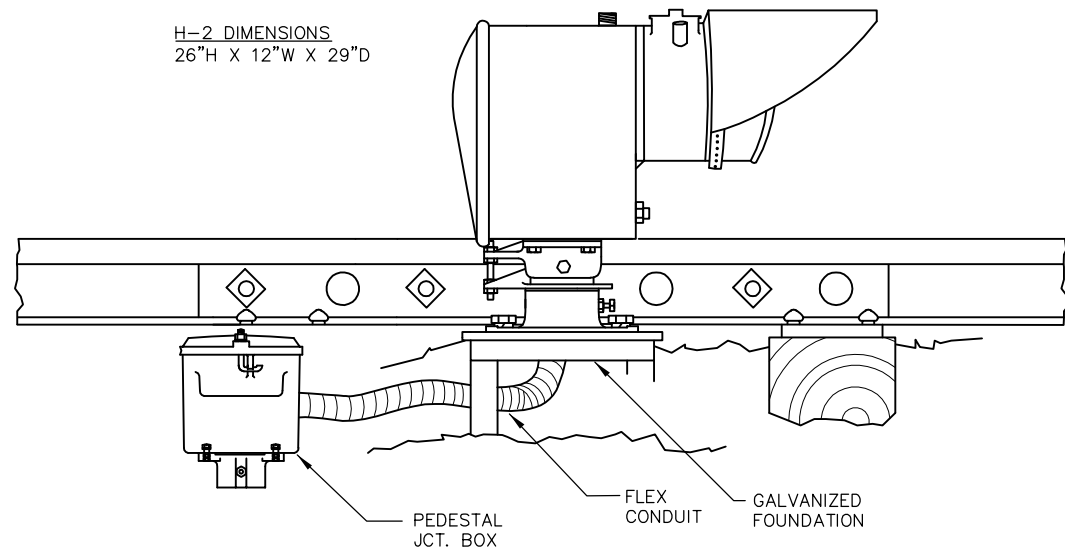


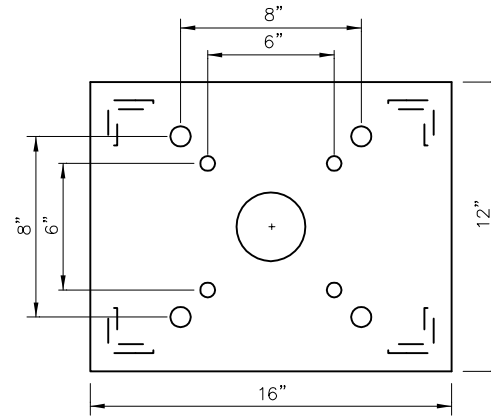
TYPICAL DOUBLE UNIT DWARF SIGNAL

H-2 DIMENSIONS
26"H X 12"W X 29"D

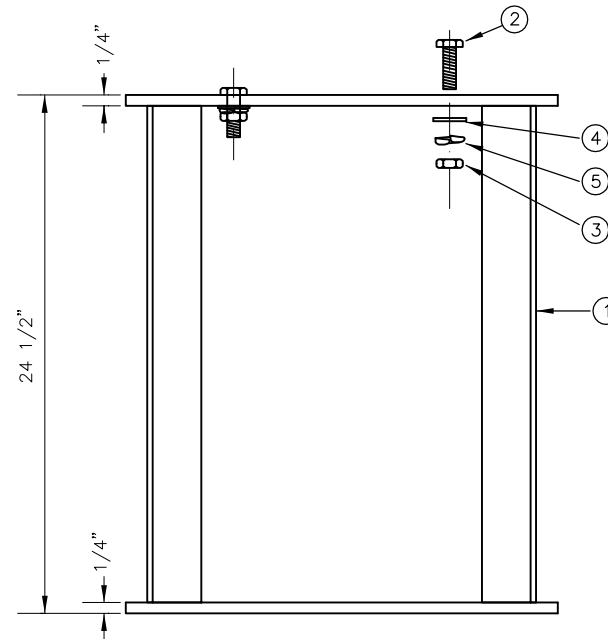


TYPICAL SINGLE UNIT DWARF SIGNAL

ITEM	PART #	QTY	DESCRIPTION
1	8B20133	1	DWARF FOUNDATION WELDMENT
2	KA95491	4	3/4-10 x 2 1/2 HEX HEAD BOLT Z/Y
3	KD96182	4	3/4-10 HEX NUT Z/Y
4	KE97431	4	3/4" FLAT WASHER Z/Y
5	KF97146	4	3/4" SPLIT LOCK WASHER Z/Y

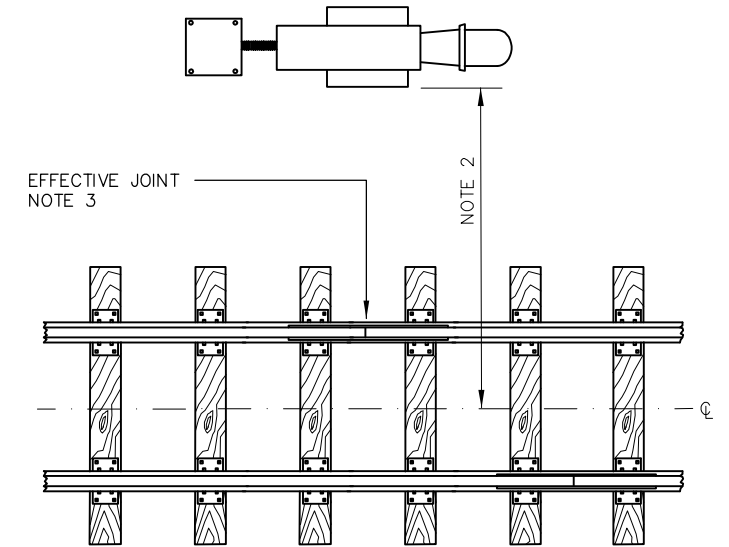


TOP VIEW

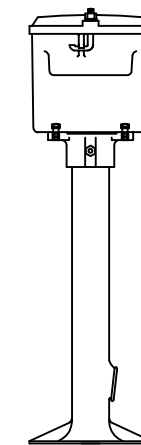


FRONT VIEW

SIGNAL FOUNDATION



TYPICAL DWARF SIGNAL PLACEMENT



JUNCTION BOX PEDESTAL



NOTES:

1. THE VERTICAL HEIGHT OF A DWARF SIGNAL SHALL NOT BE GREATER THAN 34" ABOVE TOP OF ANY ADJACENT RAIL
2. NO PORTION OF THE DWARF SIGNAL SHALL BE WITHIN 6' OF THE CENTERLINE OF ANY TRACK
3. SIGNAL FOUNDATION SHALL BE CENTERED ON END POST OF EFFECTIVE INSULATED JOINT
4. TOP OF JUNCTION BOX LID/COVER SHALL BE LEVEL WITH TOP OF TIE

REV	DATE	BY	CHK	APP	DESCRIPTION

PENINSULA CORRIDOR JOINT POWERS BOARD

APPROVED BY:

ENGINEERING MANAGER DEPUTY DIRECTOR OF ENGINEERING

STANDARD DRAWINGS

SIGNAL AND COMMUNICATION
 SIGNAL APPARATUS
 H-2 DWARF SIGNAL
 PLACEMENT & FOUNDATION

CADD FILE NO.:		SD-5213
REV	DATE	093011
0		
SIGNAL		
STANDARD NO.:		SD-5213

