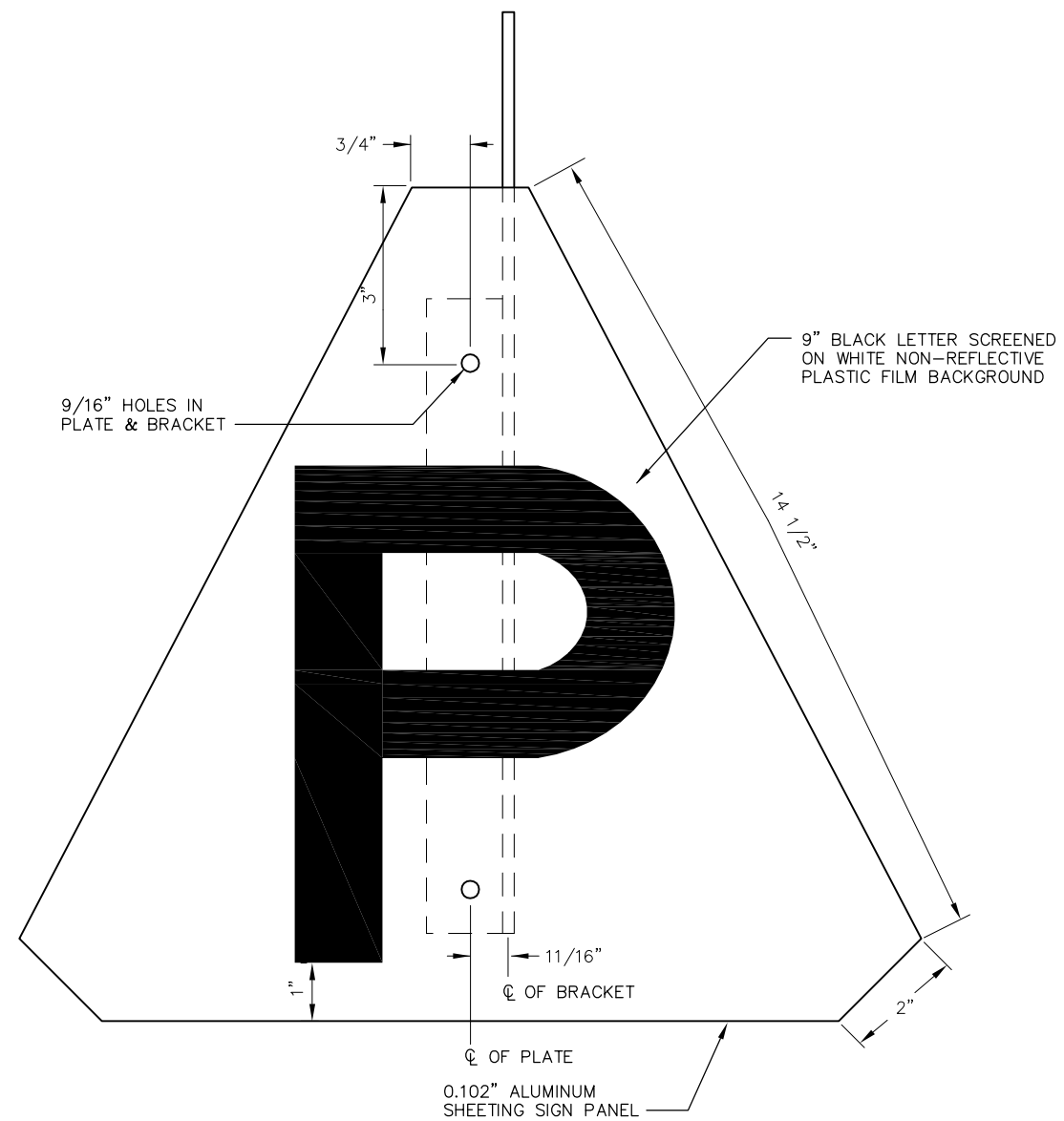
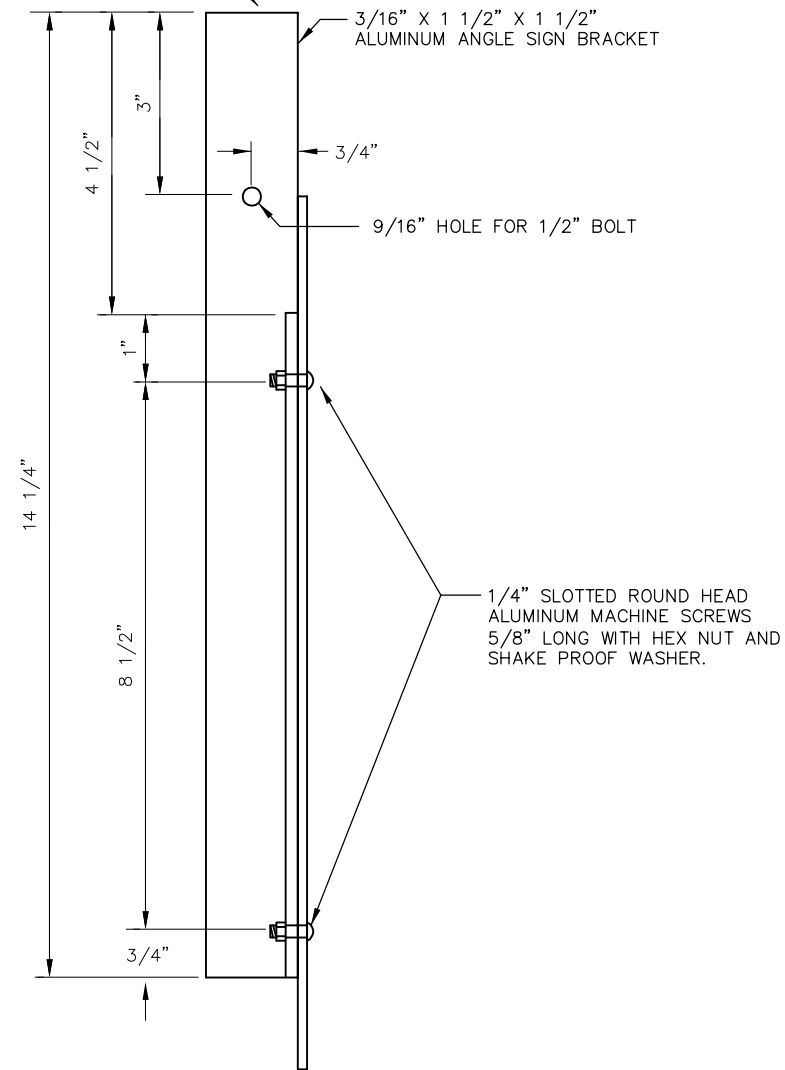


WHEN INSTALLING ON SIGNAL, APPLY PLASTIC TAPE TO ALUMINUM SURFACES IN CONTACT WITH STEEL SURFACES.



FOR REFERENCE ONLY


REV	DATE	BY	CHK	APP	DESCRIPTION	REV	DATE	BY	CHK	APP	DESCRIPTION

PENINSULA CORRIDOR JOINT POWERS BOARD

APPROVED BY:

Bernard Anzures *Steph Chen*

ENGINEERING MANAGER DEPUTY DIRECTOR OF ENGINEERING



1250 San Carlos Avenue
San Carlos, CA 94070

STANDARD DRAWINGS

SIGNAL AND COMMUNICATION
SIGNAL APPARATUS

P-SIGN

CADD FILE NO.:		SD-5208
REV	DATE	
0	093011	
SIGNAL		
STANDARD NO.:		SD-5208