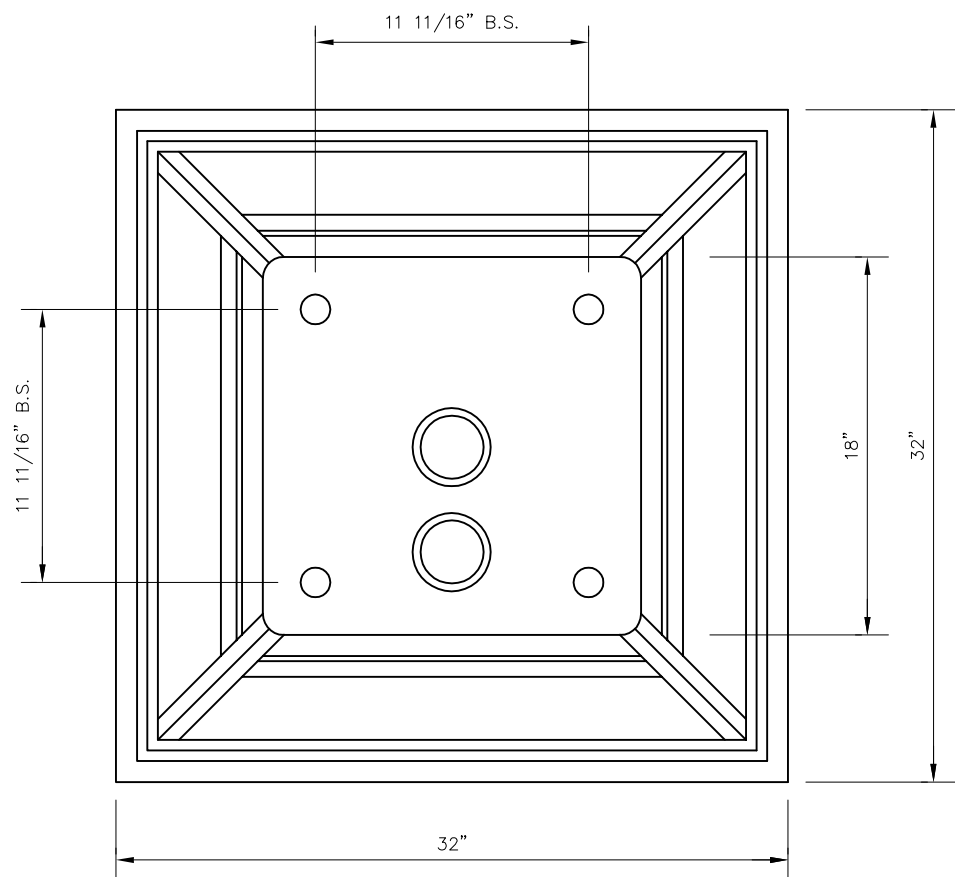
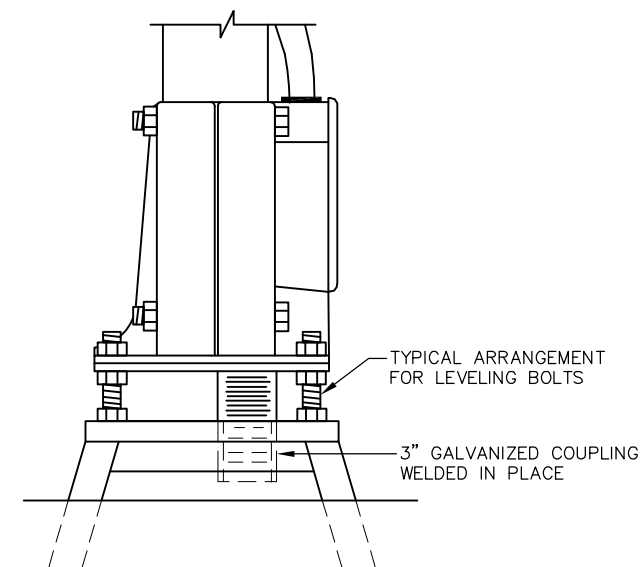


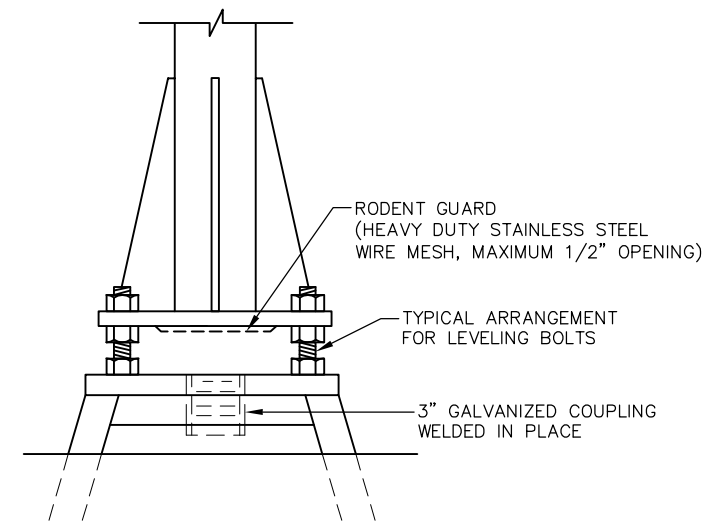
GROUND SIGNAL FOUNDATION



TOP VIEW



GATE FOUNDATION



FLASHER MAST FOUNDATION

NOTES:

1. FOUNDATIONS SHALL BE HOT DIPPED GALVANIZED
2. FURNISHED WITH 4 EA 1" X 8" BOLTS WITH HEX HEADS, 12 NUTS AND 16 FLAT WASHERS
3. BOLTS SHALL BE THREADED TO ALLOW FOR LEVELING
4. BOLTS, WASHERS AND NUTS SHALL BE CADMIUM STEEL AND SHALL BE PACKAGED SEPARATELY IN A WATER TIGHT CONTAINER SECURELY ATTACHED TO THE FOUNDATION

REV	DATE	BY	CHK	APP	DESCRIPTION	REV	DATE	BY	CHK	APP	DESCRIPTION

PENINSULA CORRIDOR JOINT POWERS BOARD

APPROVED BY:

ENGINEERING MANAGER

DEPUTY DIRECTOR OF ENGINEERING

1250 San Carlos Avenue
San Carlos, CA 94070

STANDARD DRAWINGS		CADD FILE NO.:
SIGNAL AND COMMUNICATION GENERAL SIGNAL FOUNDATION FOR GROUND SIGNAL GATE AND FLASHER MAST		SD-5114
REV	DATE	
0	093011	
SIGNAL		
STANDARD NO.:		SD-5114