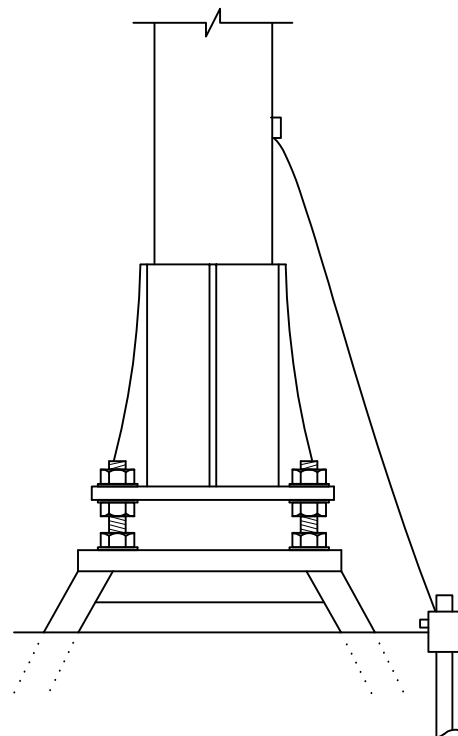
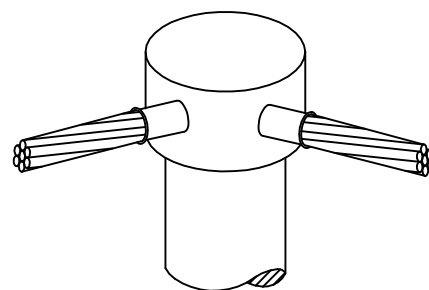


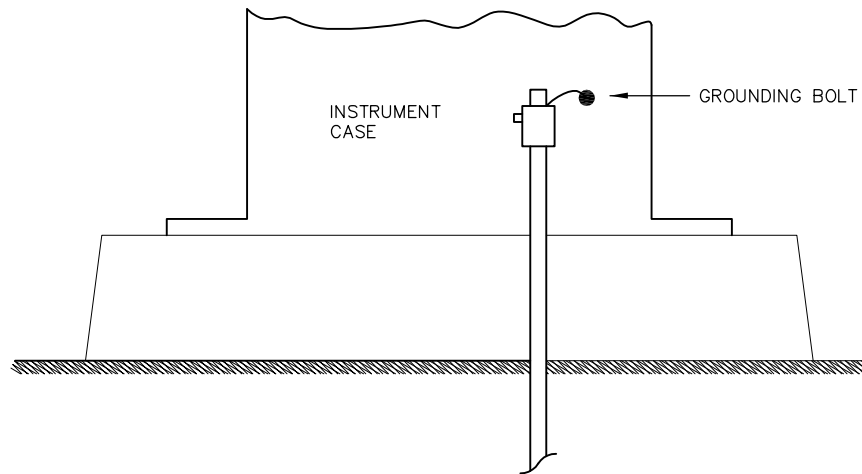
GROUND CONNECTION ON ALL NEW SHELTERS AND SIGNAL MASTS



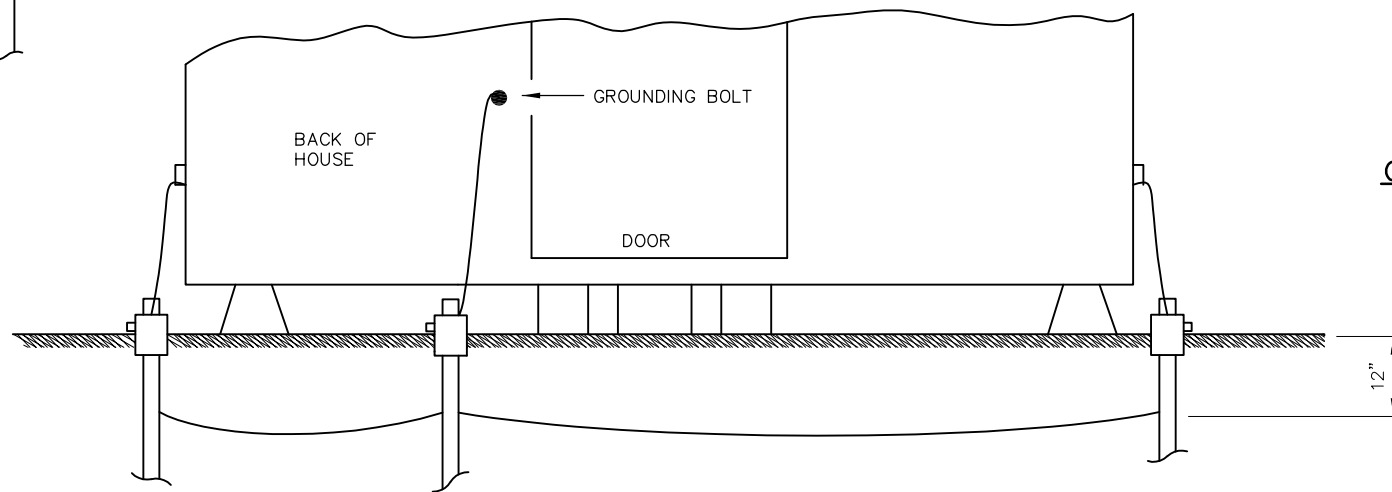
SIDE VIEW



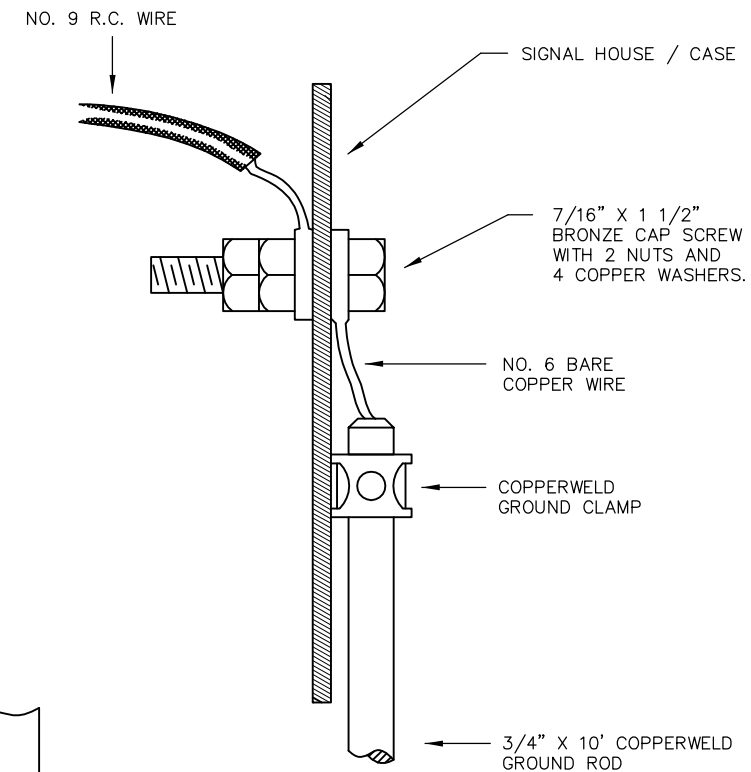
GROUND ROD CONNECTION



SIDE VIEW



FRONT VIEW



GROUNDING DETAILS

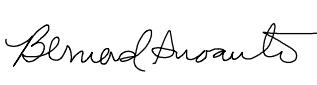

NOTES:

1. AT SIGNAL HOUSES, FOUR GROUND RODS SHALL BE DRIVEN INTO THE GROUND, ONE NEAR EACH CORNER OF THE STRUCTURE. AT SIGNAL CASES, TWO GROUND RODS SHALL BE DRIVEN INTO THE GROUND AT OPPOSITE CORNERS OF THE STRUCTURE. THE GROUND RODS SHALL BE A MINIMUM OF 6' APART AND SHALL BE DRIVEN BELOW THE GROUND LEVEL. A TRENCH, MINIMUM 12" DEEP, SHALL BE DUG BETWEEN THE GROUND RODS. EACH OF THE GROUND RODS SHALL BE ELECTRICALLY CONNECTED TO THE OTHERS USING A #2 AWG BARE STRANDED COPPER CABLE WELDED USING A THERMAL PROCESS AND COATED WITH EPOXY RESIN. THE GROUND WIRES SHALL BE PLACED IN THE BOTTOM OF THE TRENCH. THE TRENCH SHALL BE BACKFILLED, RETURNING THE SOILS REMOVED DURING CONSTRUCTION OF THE TRENCH
2. DO NOT CONNECT COMMERCIAL "AC" POWER GROUNDWIRE AND SIGNAL GROUND TO THE SAME GROUND GRID
3. GROUND WIRES SHALL HAVE MINIMUM BEND RADIUS. NO SHARP BENDS PERMITTED
4. GROUND ROD SHALL BE INSTALLED BETWEEN MAST AND LADDER AT SIGNAL ASSEMBLIES

REV	DATE	BY	CHK	APP	DESCRIPTION	REV	DATE	BY	CHK	APP	DESCRIPTION

PENINSULA CORRIDOR JOINT POWERS BOARD

APPROVED BY:

ENGINEERING MANAGER DEPUTY DIRECTOR OF ENGINEERING

STANDARD DRAWINGS

SIGNAL AND COMMUNICATION
GENERAL SIGNAL
TYPICAL GROUNDING
FOR SIGNAL LOCATIONS

CADD FILE NO.: SD-5111	
REV	DATE
0	093011
SIGNAL	
STANDARD NO.: SD-5111	

