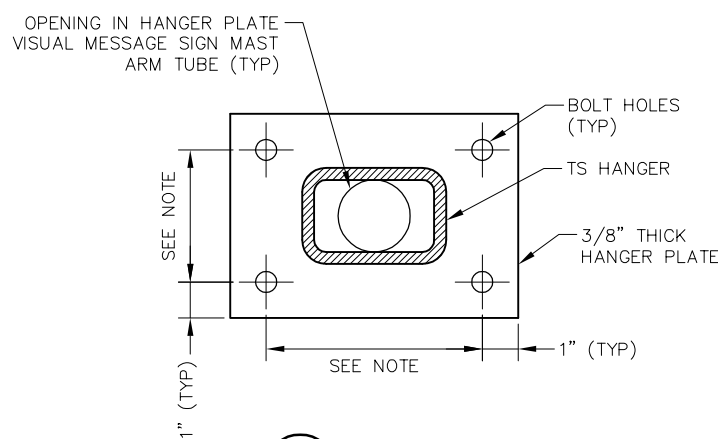
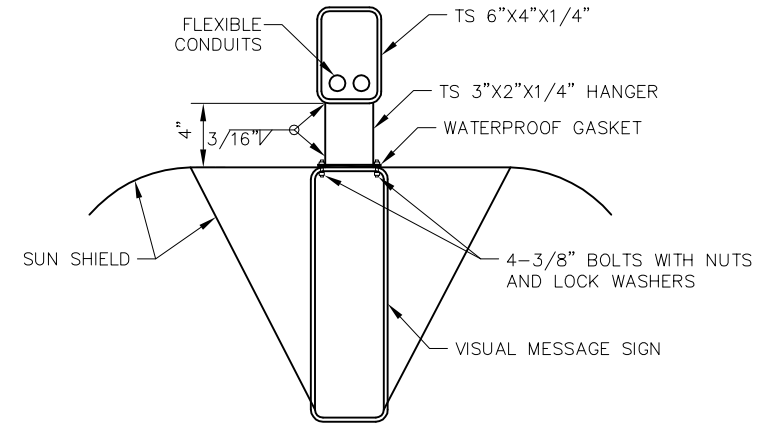


1 VMS BOARD MOUNTING DETAIL
SD-4903 NTS

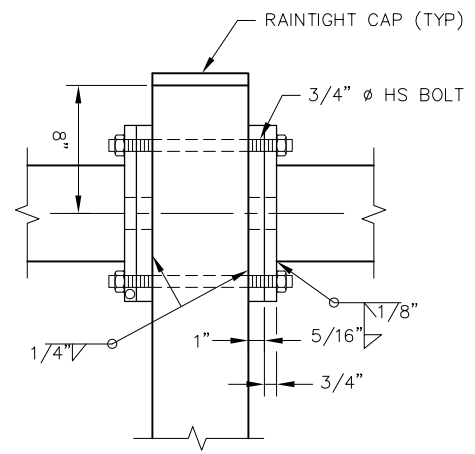


A SECTION
NTS

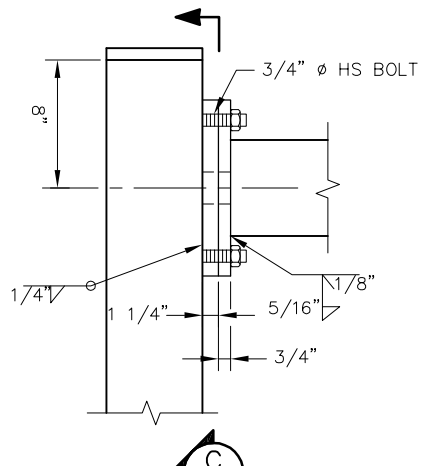


B SECTION
NTS

NOTE: VERIFY WITH THE VMS MANUFACTURER THE BOLT CENTERS, BOLT DIAMETERS AND HANGERS

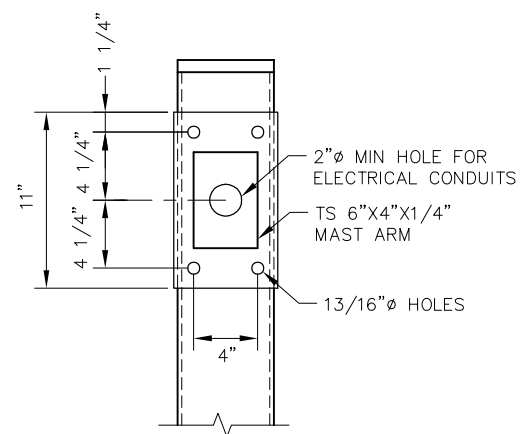


TWO SIDES



ONE SIDE

2 ARM CONNECTION DETAILS
SD-3403 NTS



C SECTION
NTS

REV	DATE	BY	CHK	APP	DESCRIPTION	REV	DATE	BY	CHK	APP	DESCRIPTION

PENINSULA CORRIDOR JOINT POWERS BOARD

APPROVED BY:




ENGINEERING MANAGER DEPUTY DIRECTOR OF ENGINEERING



1250 San Carlos Avenue
 San Carlos, CA 94070

STANDARD DRAWINGS

**STATION COMMUNICATIONS
 COMMUNICATION EQUIPMENT
 VMS BOARD POLE MOUNTING DETAILS
 SHEET 1 OF 2**

CADD FILE NO.:	SD-4904
REV	DATE
0	093011
STATION COMMS	
STANDARD NO.:	SD-4904