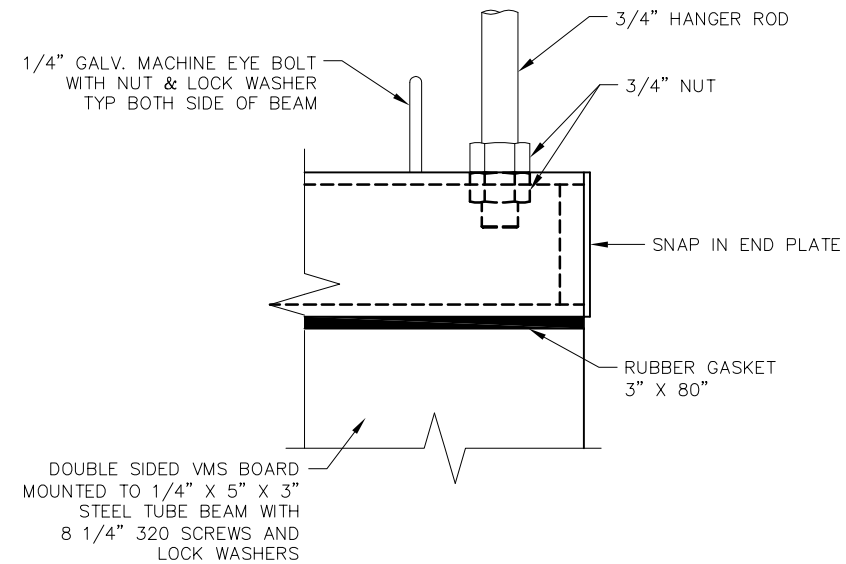
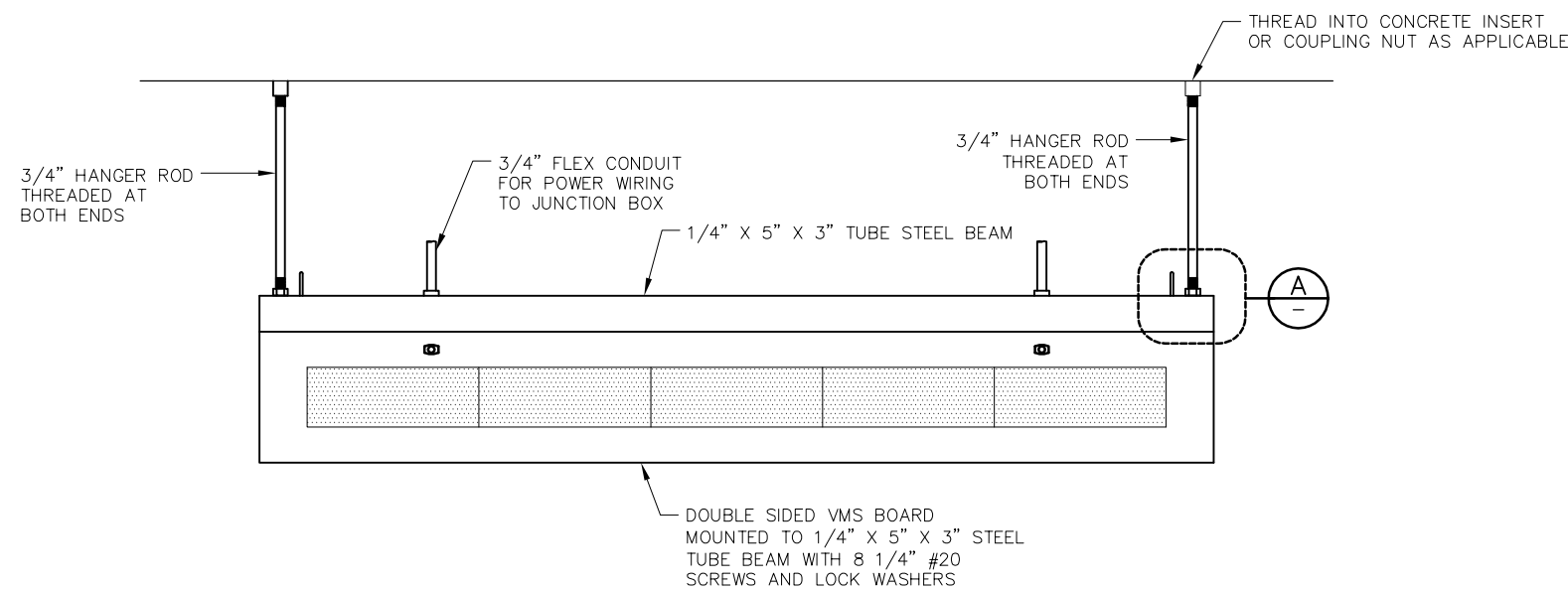


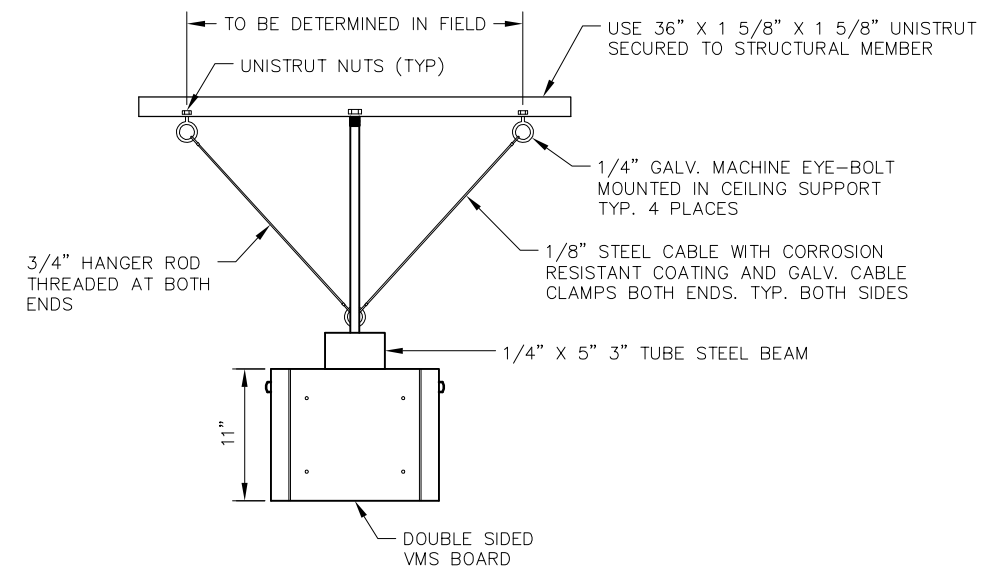
TOP VIEW



A
DETAIL
NTS



FRONT VIEW



SIDE VIEW

PENINSULA CORRIDOR JOINT POWERS BOARD

STANDARD DRAWINGS

CADD FILE NO.: SD-4901

REV	DATE	BY	CHK	APP	DESCRIPTION	REV	DATE	BY	CHK	APP	DESCRIPTION

APPROVED BY:

Bernard Anzures *Stefan Ch...*

ENGINEERING MANAGER DEPUTY DIRECTOR OF ENGINEERING



STATION COMMUNICATIONS
COMMUNICATION EQUIPMENT
VISUAL MESSAGE SIGN BOARD
CEILING MOUNT

REV 0 DATE 093011

STATION COMMS

STANDARD NO.: SD-4901