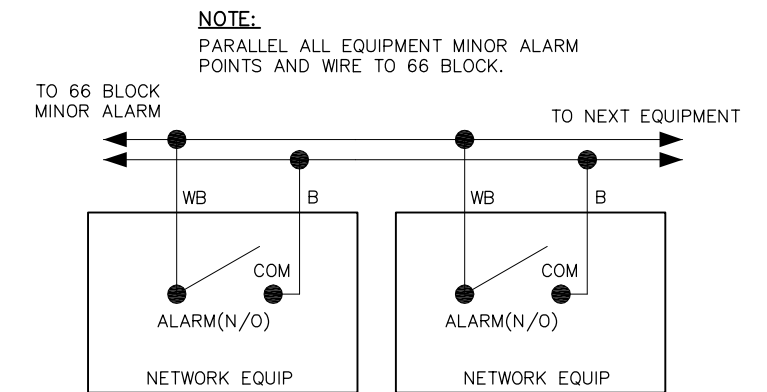
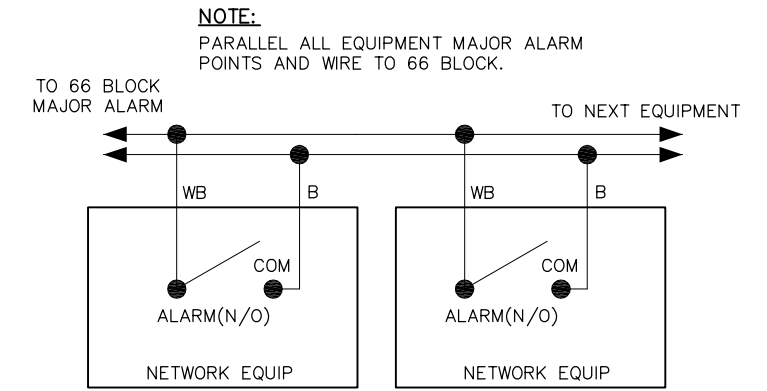
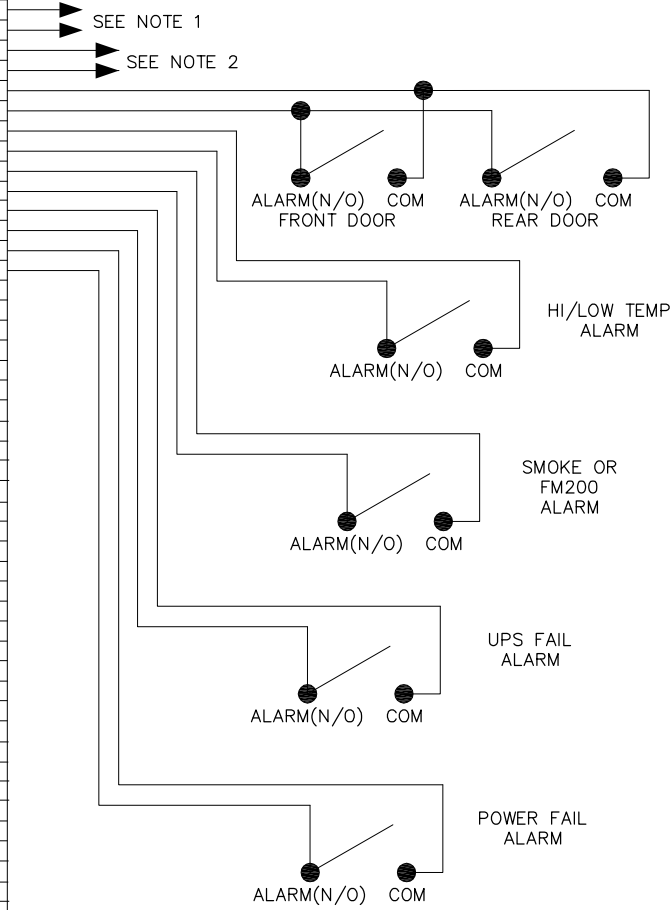


- NOTES:**
1. PROVIDE SOLID STATE SURGE PROTECTOR AT 66-BLOCK WHEN CROSS-CONNECTING ALARMS TO ANOTHER EQUIPMENT OR SIGNAL HOUSE. PROVIDE GROUNDING PER DIVISION 17 SPECIFICATIONS.
 2. ADDITIONAL ALARM POINTS CAN BE ADDED AS REQUIRED.
 3. ALARM WIRING SHALL BE 1-PAIR, #22 AWG SOLID CONNECTOR.

25PR-ORANGE BINDER			EQUIPMENT SIDE TERMINATION								
WIRE COLOR	PR	PIN #	66 BLOCK	PIN #	WIRE COLOR	TYPE CIRCUIT	RACK	SHELF	CARD/PANEL	PIN#/JACK	REFER TO SHEET#
W B	1	1	---	1	W B	FOTMA ALARM	101				
B	1	2	---	2	B	FOTMA ALARM	101				
W O	2	3	---	3	W O	FOTMI ALARM	101				
O	2	4	---	4	O	FOTMI ALARM	101				
W G	3	5	---	5	W B	FOTINT ALARM	DOOR				
G	3	6	---	6	B	FOTINT ALRRM	DOOR				
W Br	4	7	---	7	W B	FOTHTMP ALARM	THERM				
Br	4	8	---	8	B	FOTHTMP ALARM	THERM				
W S	5	9	---	9	W B	FOTSD ALARM	SMOKE				
S	5	10	---	10	B	FOTSD ALARM	SMOKE				
R B	6	11	---	11	W B	FOTUPSF ALARM	DET				
B	6	12	---	12	B	FOTUPSF ALARM	DET				
R Or	7	13	---	13	W B	FOTPO ALARM	DET				
Or	7	14	---	14	B	FOTPO ALARM	DET				
R Gr	8	15	---	15	W B	FOTPT	FUTURE				
Gr	8	16	---	16	B	FOTPT	FUTURE				
R Br	9	17	---	17	W B						
Br	9	18	---	18	B						
R S	10	19	---	19							
S	10	20	---	20							
Bl B	11	21	---	21							
B	11	22	---	22							
Bl O	12	23	---	23							
O	12	24	---	24							
Bl G	13	25	---	25							
G	13	26	---	26							
Bl Br	14	27	---	27							
Br	14	28	---	28							
Bl S	15	29	---	29							
S	15	30	---	30							
Y Bl	16	31	---	31							
Bl	16	32	---	32							
Y O	17	33	---	33							
O	17	34	---	34							
Y G	18	35	---	35							
G	18	36	---	36							
Y Br	19	37	---	37							
Br	19	38	---	38							
Y S	20	39	---	39							
S	20	40	---	40							
V Bl	21	41	---	41							
Bl	21	42	---	42							
V O	22	43	---	43							
O	22	44	---	44							
V Gr	23	45	---	45							
Gr	23	46	---	46							
V Br	24	47	---	47							
Br	24	48	---	48							
V S	25	48	---	48							
S	25	50	---	50							



CROSS-CONNECT TO ALARM NETWORK SYSTEM AS REQUIRED

**WALL MOUNTED 66-TYPE
BLOCK AT MAIN
DISTRIBUTION FRAME
(MDF)**

REV	DATE	BY	CHK	APP	DESCRIPTION

PENINSULA CORRIDOR JOINT POWERS BOARD		STANDARD DRAWINGS		CADD FILE NO.: SD-4850
APPROVED BY:				REV 0
 ENGINEERING MANAGER DEPUTY DIRECTOR OF ENGINEERING				DATE 093011
1250 San Carlos Avenue San Carlos, CA 94070		STATION COMMUNICATIONS SUPPORTING SYSTEM AND OTHERS EQUIPMENT AND SECURITY ALARMS DEMARICATION		STANDARD NO.: SD-4850