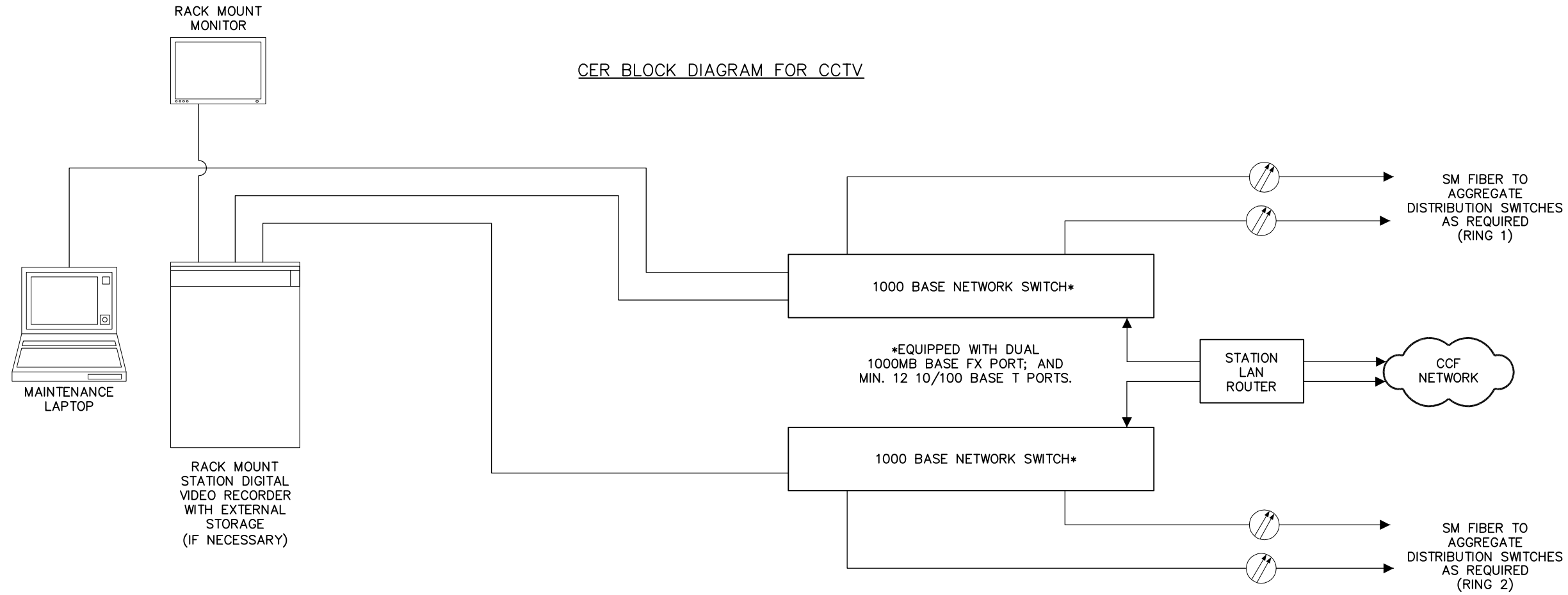


CER BLOCK DIAGRAM FOR CCTV



CLOSED CIRCUIT TELEVISION (CCTV) DESCRIPTION:

1. TCP/IP LOCAL NETWORK BASED SUBSYSTEM USING DIRECT ATTACHED STORAGE. LATER EXPANDING TO DETACHED STORAGE CAPABILITY AS OCC CARRIER CAPACITY EXPANDS
2. LOCAL VIDEO RECORDING, UTILIZING MINIMUM DUAL HARD DRIVES USING RAID-1 ARRANGING STANDARDS/ SIZED FOR 14 DAYS OF STORAGE
3. CAMERA SUBSYSTEM TOPOLOGY IS REDUNDANT RING USING SM FIBER BETWEEN THE AGGREGATE DISTRIBUTION SWITCHES AND THE STATION CER

<b>PENINSULA CORRIDOR JOINT POWERS BOARD</b>										<b>STANDARD DRAWINGS</b>				CADD FILE NO.: SD-4802			
APPROVED BY:										 1250 San Carlos Avenue San Carlos, CA 94070				REV	DATE	STATION COMMS	
 ENGINEERING MANAGER														0	093011		
 DEPUTY DIRECTOR OF ENGINEERING										STATION COMMUNICATIONS SUPPORTING SYSTEM AND OTHERS COMMUNICATIONS EQUIPMENT ROOM (CER) SUBSYSTEM DETAIL				STANDARD NO.: SD-4802			
REV	DATE	BY	CHK	APP	DESCRIPTION	REV	DATE	BY	CHK	APP							