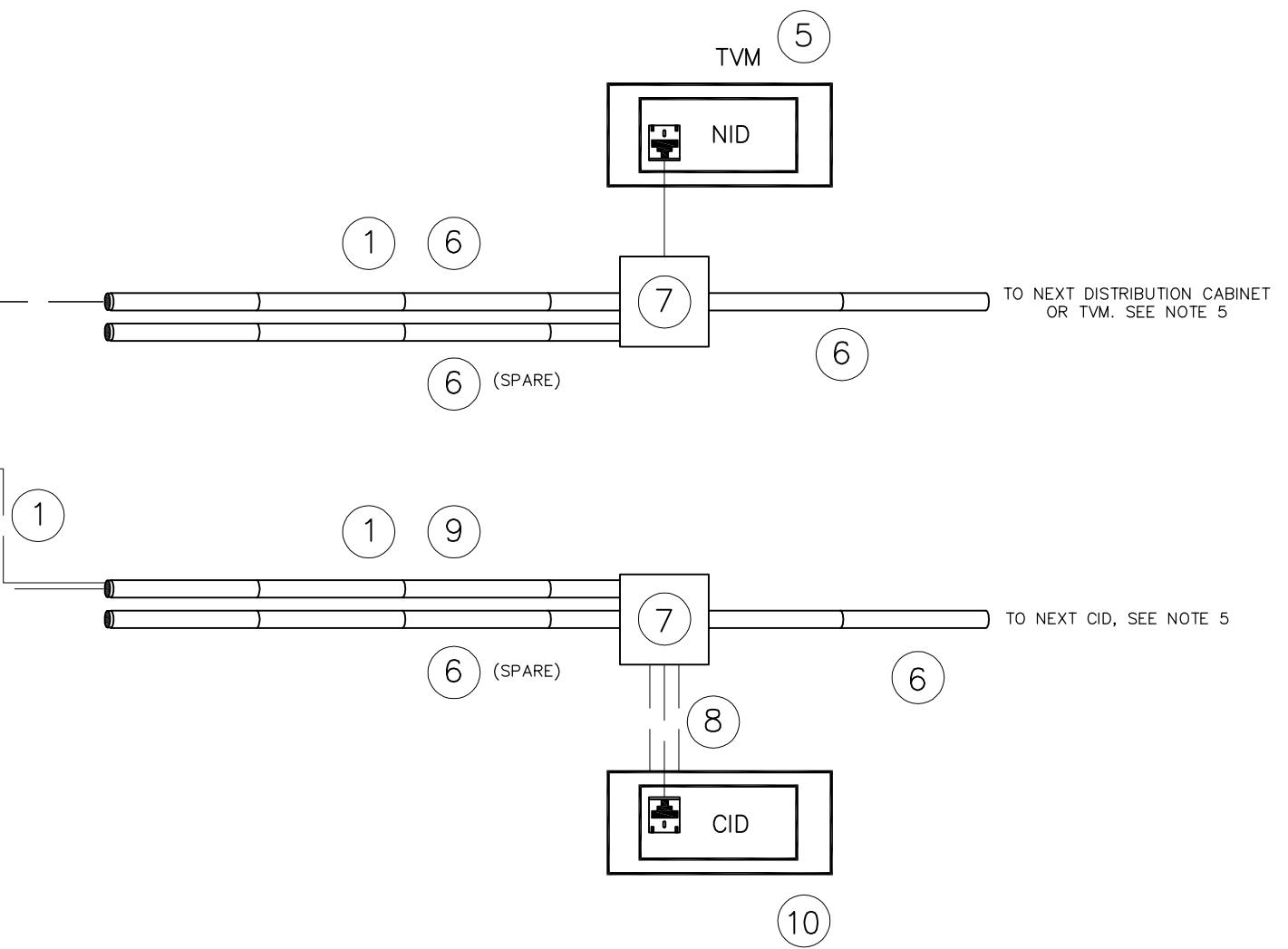


PARTS LIST		
ITEM	DESCRIPTION	PART NO.
①	CAT. 6, 4PR, 24 AWG	
②	SIMPLEX SC-SC SINGLE MODE PATH CABLE	
③	CAT. 6, 4PR, 24 AWG, RJ45-RJ45 PATCH CABLE	
④	CAT. 6, 4PR, SOLID STATE SURGE PROTECTOR	
⑤	TVM OR FARE COLLECTION DEVICE (PROVIDED BY CALTRAIN)	
⑥	1" GRS CONDUIT	
⑦	CHRISTY PULL BOX	
⑧	CID POLE (PROVIDED BY CALTRAIN)	
⑨	2 CONDUCTOR POWER WIRING, 16 AWG	
⑩	CID (PROVIDED / INSTALLED BY CLIPPER)	

- NOTES:**
1. INSTALL CONDUIT WITH PULL-BOX LOCATIONS AT INTERVALS PER TIA/EIA 569B STANDARDS
 2. GROUND AND BOND EQUIPMENT AND CABINETS PER TIA/EIA-J-STD-607A
 3. REFER TO DWG SD-4106 FOR NETWORK CABLING LIMITS FOR ETHERNET SERVICE
 4. FOR NON-ETHERNET NETWORK PROTOCOLS, PROVIDE PROTOCOL MEDIA CONVERTER AT TVM NID
 5. FOR FUTURE NETWORK ROUTE DIVERSITY (RING TOPOLOGY), PROVIDE EMPTY 1" CONDUIT TO NEXT DISTRIBUTION CABINET, TVM OR CID
 6. PROVIDE HOME-RUN CONDUIT, POWER AND NETWORK CABLE PER SUBSYSTEM DEVICE



DETAIL A
 COMMUNICATIONS DISTRIBUTION CABINET
 REFER TO DRAWING SD-4804

REV	DATE	BY	CHK	APP	DESCRIPTION

PENINSULA CORRIDOR JOINT POWERS BOARD

APPROVED BY:




ENGINEERING MANAGER DEPUTY DIRECTOR OF ENGINEERING



1250 San Carlos Avenue
 San Carlos, CA 94070

STANDARD DRAWINGS

STATION COMMUNICATIONS
 FARE COLLECTION SYSTEM
 TVM SUBSYSTEM
 AND EQUIPMENT DETAILS

CADD FILE NO.: SD-4401	
REV 0	DATE 093011
STATION COMMS	
STANDARD NO.: SD-4401	