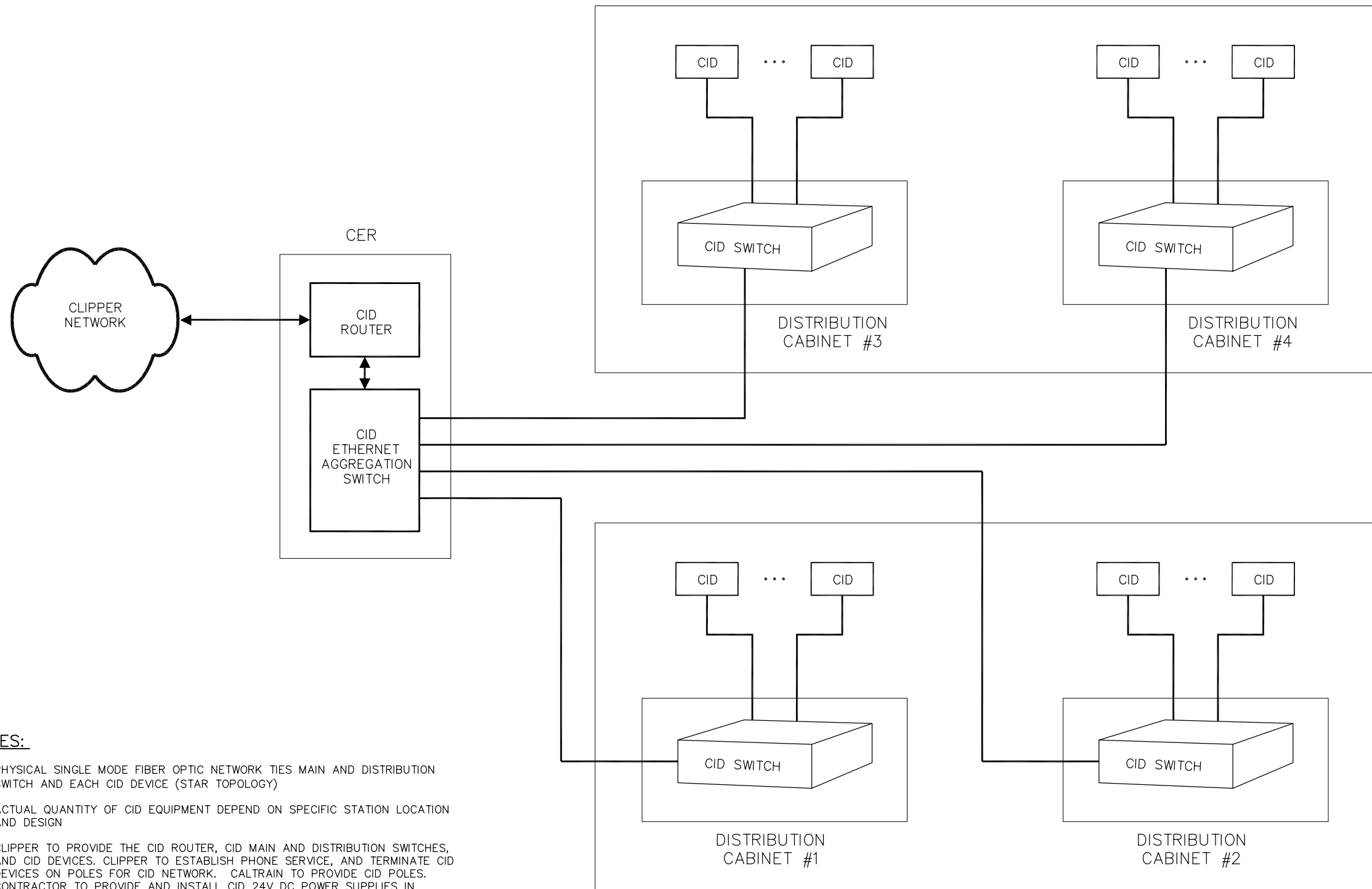


PLATFORM 2 CID LAN SUBSYSTEM



**NOTES:**

1. PHYSICAL SINGLE MODE FIBER OPTIC NETWORK TIES MAIN AND DISTRIBUTION SWITCH AND EACH CID DEVICE (STAR TOPOLOGY)
2. ACTUAL QUANTITY OF CID EQUIPMENT DEPEND ON SPECIFIC STATION LOCATION AND DESIGN
3. CLIPPER TO PROVIDE THE CID ROUTER, CID MAIN AND DISTRIBUTION SWITCHES, AND CID DEVICES. CLIPPER TO ESTABLISH PHONE SERVICE, AND TERMINATE CID DEVICES ON POLES FOR CID NETWORK. CALTRAIN TO PROVIDE CID POLES. CONTRACTOR TO PROVIDE AND INSTALL CID 24V DC POWER SUPPLIES IN DISTRIBUTION CABINETS, CONDUITS AND COMMUNICATION POWER WIRING, AND OTHER REMAINING MISCELLANEOUS EQUIPMENT TO COMPLETE FULLY FUNCTIONAL CID SUBSYSTEM

PLATFORM 1 CID LAN SUBSYSTEM

REV	DATE	BY	CHK	APP	DESCRIPTION

**PENINSULA CORRIDOR JOINT POWERS BOARD**

APPROVED BY:

ENGINEERING MANAGER

DEPUTY DIRECTOR OF ENGINEERING

1250 San Carlos Avenue  
San Carlos, CA 94070

STANDARD DRAWINGS		CADD FILE NO.:
STATION COMMUNICATIONS OVERALL SYSTEM DESCRIPTIONS 2-PLATFORM CID LAN SUBSYSTEM LOGICAL TOPOLOGY		SD-4107
REV	DATE	
0	093011	
STATION COMMS		
STANDARD NO.:		SD-4107