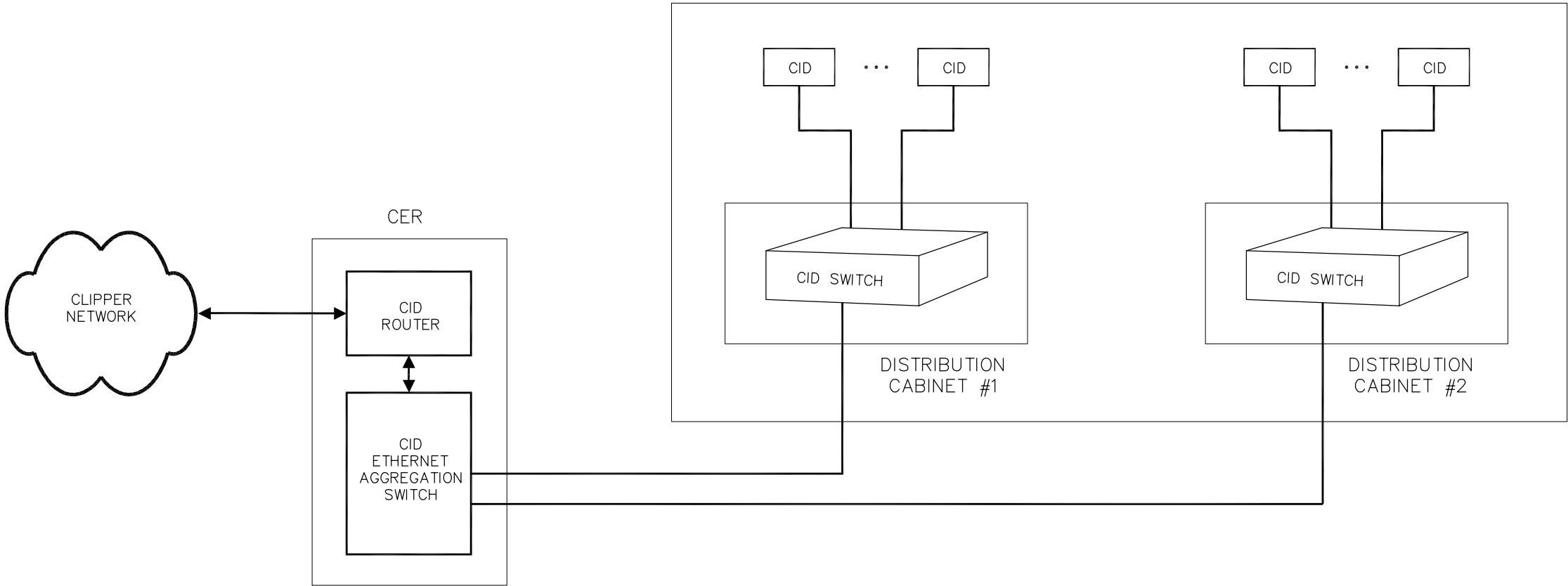


PLATFORM 1 CID LAN SUBSYSTEM



NOTES:

1. PHYSICAL SINGLE MODE FIBER OPTIC NETWORK TIES MAIN AND DISTRIBUTION SWITCH AND EACH CID DEVICE (STAR TOPOLOGY)
2. ACTUAL QUANTITY OF CID EQUIPMENT DEPEND ON SPECIFIC STATION LOCATION AND DESIGN
3. CLIPPER TO PROVIDE THE CID ROUTER, CID MAIN AND DISTRIBUTION SWITCHES, AND CID DEVICES. CLIPPER TO ESTABLISH PHONE SERVICE, AND TERMINATE CID DEVICES ON POLES FOR CID NETWORK. CALTRAIN TO PROVIDE CID POLES. CONTRACTOR TO PROVIDE AND INSTALL CID 24V DC POWER SUPPLIES IN DISTRIBUTION CABINETS, CONDUITS AND COMMUNICATION POWER WIRING, AND OTHER REMAINING MISCELLANEOUS EQUIPMENT TO COMPLETE FULLY FUNCTIONAL CID SUBSYSTEM

REV	DATE	BY	CHK	APP	DESCRIPTION

**PENINSULA CORRIDOR JOINT POWERS BOARD**

APPROVED BY:

  
 ENGINEERING MANAGER

  
 DEPUTY DIRECTOR OF ENGINEERING

  
1250 San Carlos Avenue  
San Carlos, CA 94070

**STANDARD DRAWINGS**

STATION COMMUNICATIONS  
OVERALL SYSTEM DESCRIPTIONS  
1-PLATFORM CID LAN SUBSYSTEM  
LOGICAL TOPOLOGY

CADD FILE NO.: SD-4106	
REV 0	DATE 093011
STATION COMMS	
STANDARD NO.: SD-4106	