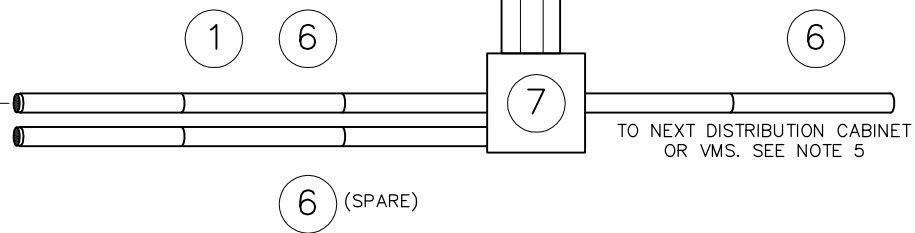


NOTES:

1. INSTALL CONDUIT WITH PULL-BOX LOCATIONS AT INTERVALS PER TIA/EIA 569B STANDARDS
2. GROUND AND BOND EQUIPMENT AND CABINETS PER TIA/EIA-J-STD-607A
3. REFER TO DWG SD-4106 FOR NETWORK CABLING LIMITS FOR ETHERNET SERVICE
4. FOR NON-ETHERNET NETWORK PROTOCOLS, PROVIDE PROTOCOL MEDIA CONVERTER AT VMS NID
5. FOR FUTURE NETWORK ROUTE DIVERSITY (RING TOPOLOGY), PROVIDE EMPTY 1" CONDUIT TO NEXT DISTRIBUTION CABINET OR VMS.
6. PROVIDE HOME-RUN CONDUIT AND NETWORK CABLE PER SUBSYSTEM DEVICE



PARTS LIST		
ITEM	DESCRIPTION	PART NO.
①	CAT. 6, 4PR, 24 AWG	
②	SIMPLEX SC-SC SINGLE MODE PATH CABLE	
③	CAT. 6, 4PR, 24 AWG, RJ45-RJ45 PATCH CABLE	
④	CAT. 6, 4PR, SOLID STATE SURGE PROTECTOR	
⑤	VMS DEVICE WITH ETHERNET NID	
⑥	1" GRS CONDUIT	
⑦	CHRISTY N9 PULL BOX (10.5" X 17.25)	



30A, 120V, UPS
20A, 120VAC

#6 AWG TO GROUND SYSTEM

DETAIL A
COMMUNICATIONS DISTRIBUTION CABINET
REFER TO DRAWING SD-4804

REV	DATE	BY	CHK	APP	DESCRIPTION

PENINSULA CORRIDOR JOINT POWERS BOARD

APPROVED BY:



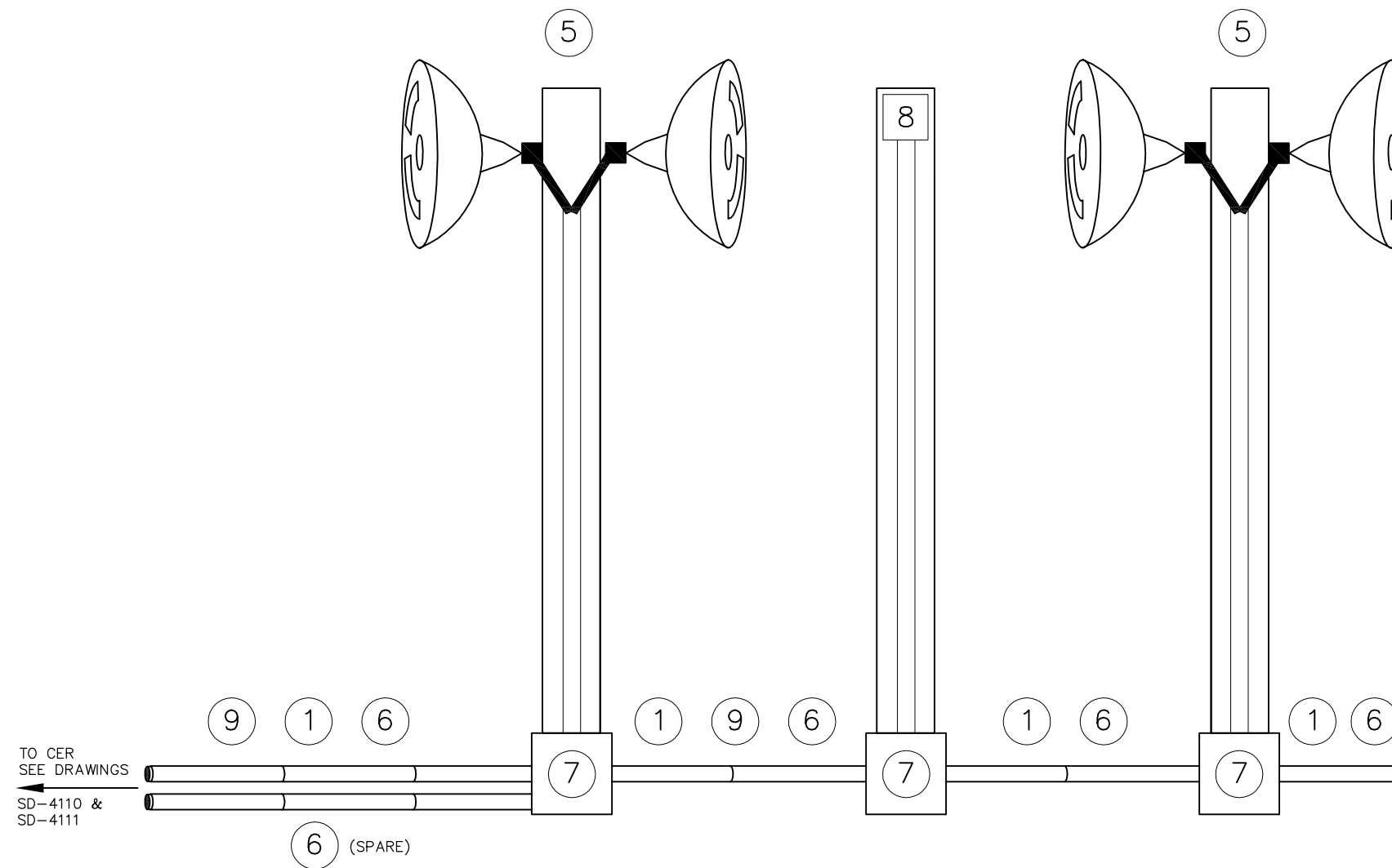

ENGINEERING MANAGER DEPUTY DIRECTOR OF ENGINEERING


 1250 San Carlos Avenue
 San Carlos, CA 94070

STANDARD DRAWINGS

STATION COMMUNICATIONS
PASSENGERS INFO SYSTEM
VMS SUBSYSTEM
AND EQUIPMENT DETAILS

CADD FILE NO.: SD-4201	
REV 0	DATE 093011
STATION COMMS	
STANDARD NO.: SD-4201	



NOTES:

1. INSTALL CONDUIT WITH PULL-BOX LOCATIONS AT INTERVALS PER TIA/EIA 569B STANDARDS
2. GROUND AND BOND EQUIPMENT AND CABINETS PER TIA/EIA-J-STD-607A
3. WIRE ODD NUMBER SPERKERS TO AMPLIFIER CHANNEL "A" AND EVEN NUMBER SPEAKERS TO AMPLIFIER CHANNEL "B"
4. FOR FUTURE ROUTE DIVERSITY, PROVIDE EMPTY 1" CONDUIT TO NEXT SPEAKER
5. PROVIDE HOME-RUN CONDUIT AND CABLE PER AMBIENT NOISE SENSOR AND CHAIN WIRING PER SPEAKERS
6. PLACE AMBIENT NOISE SENSOR TO POINT AWAY FROM SPEAKERS

PARTS LIST	
ITEM	DESCRIPTION
①	2 PAIR PA SPEAKER CABLE 14 -16 AWG (AS REQUIRED), SHIELDED
⑤	TRUMPET SPEAKER DEVICE
⑥	1" GRG CONDUIT
⑦	CHRISTI PULL BOX
⑧	AMBIENT NOISE SENSOR
⑨	1 PAIR, MICROPHONE SHIELDED CABLE, 18 AWG

PENINSULA CORRIDOR JOINT POWERS BOARD

STANDARD DRAWINGS

CADD FILE NO.: SD-4210	
REV 0	DATE 093011
STATION COMMS	
STANDARD NO.: SD-4210	

APPROVED BY:

Bernard Anzures *Steph Chen*
 ENGINEERING MANAGER DEPUTY DIRECTOR OF ENGINEERING



STATION COMMUNICATIONS
 PASSENGERS INFO SYSTEM
 PAS SUBSYSTEM
 AND EQUIPMENT DETAILS

REV	DATE	BY	CHK	APP	DESCRIPTION