

VMS BOARD - COLUMN MOUNT

| REV | DATE | BY | CHK | APP | DESCRIPTION |
|-----|------|----|-----|-----|-------------|
| | | | | | |
| | | | | | |
| | | | | | |
| | | | | | |

PENINSULA CORRIDOR JOINT POWERS BOARD

APPROVED BY:

Bernard Anagnostis *Steph Chen*

ENGINEERING MANAGER DEPUTY DIRECTOR OF ENGINEERING

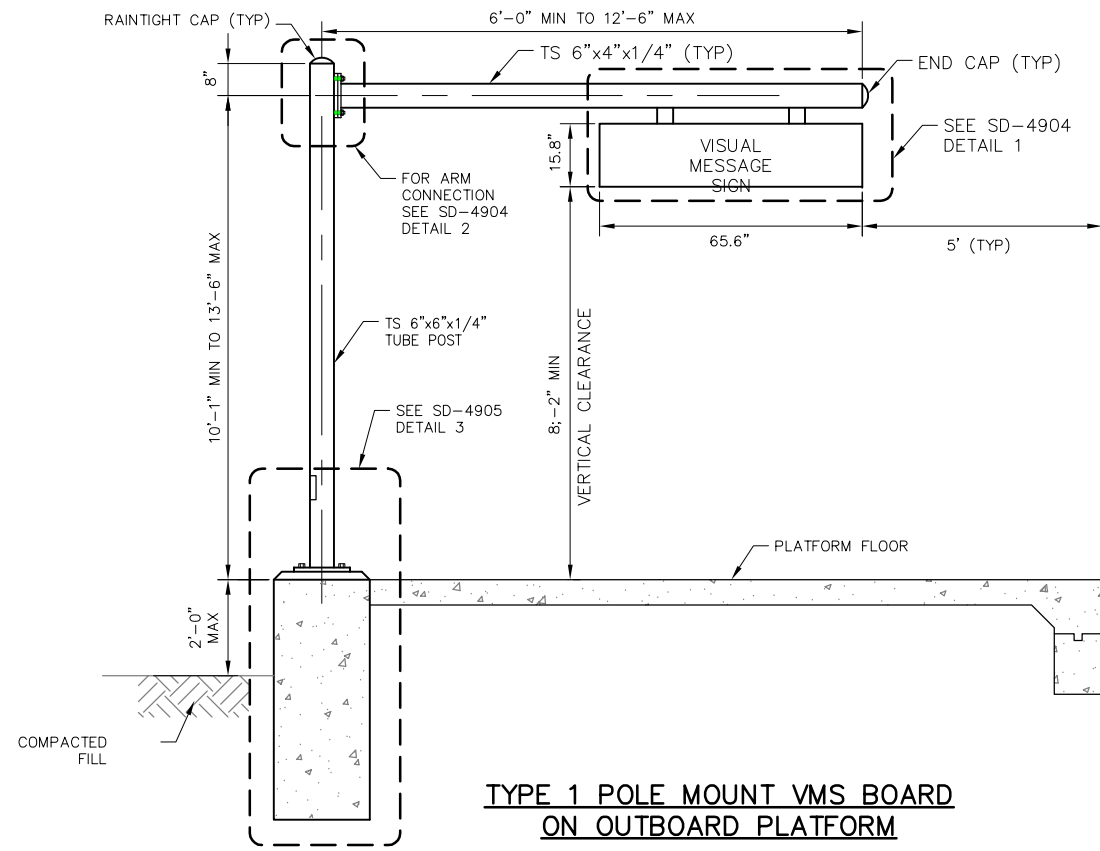


1250 San Carlos Avenue
San Carlos, CA 94070

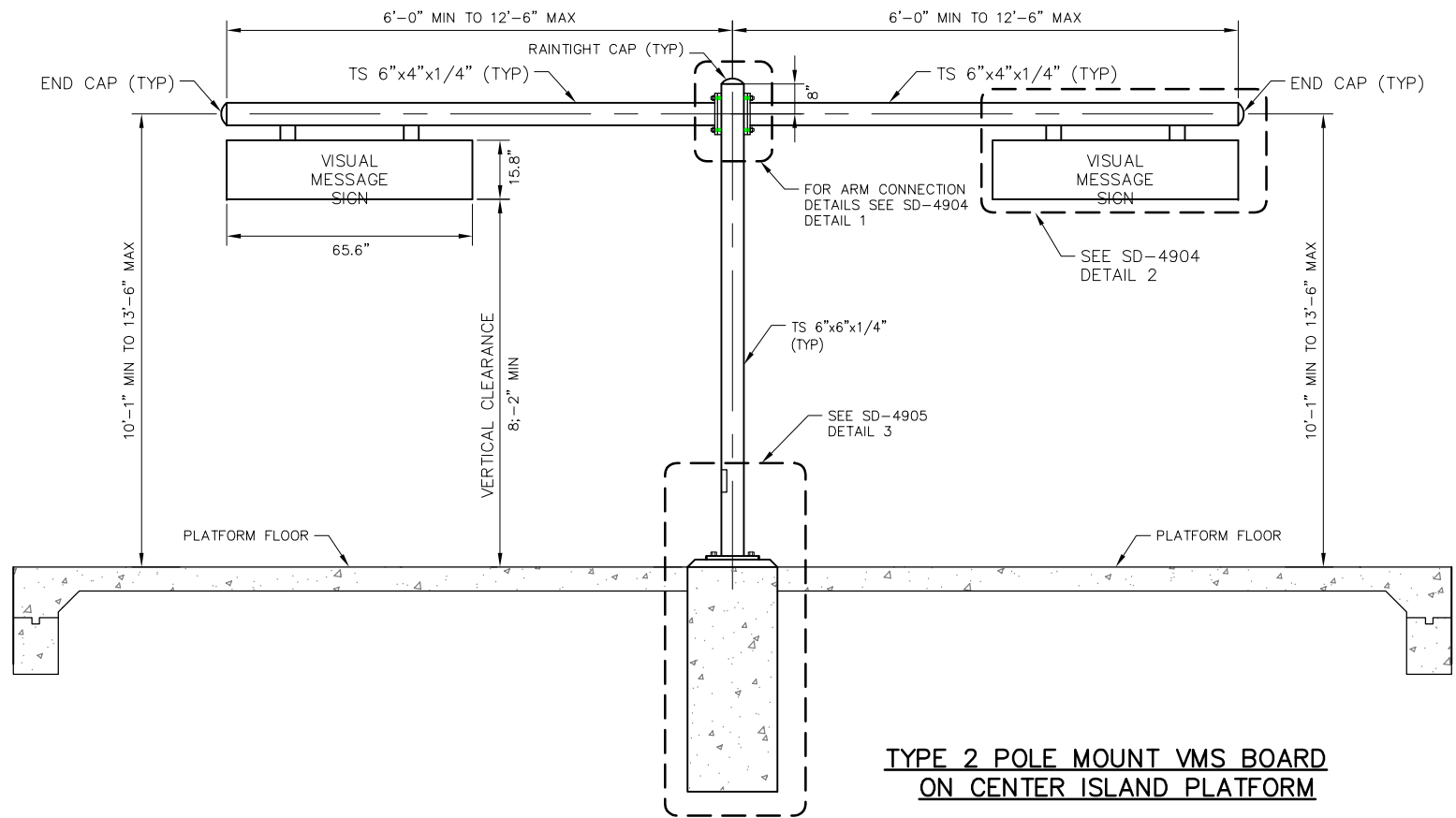
STANDARD DRAWINGS

STATION COMMUNICATIONS
COMMUNICATION EQUIPMENT
VISUAL MESSAGE SIGN BOARD
COLUMN MOUNT

| | |
|---------------------------|----------------|
| CADD FILE NO.: SD-4902 | |
| REV 0 | DATE 093011 |
| STATION COMMS | |
| STANDARD NO.: SD-4902 | |



**TYPE 1 POLE MOUNT VMS BOARD
ON OUTBOARD PLATFORM**



**TYPE 2 POLE MOUNT VMS BOARD
ON CENTER ISLAND PLATFORM**

NOTES:

1. SEE SD-4905 FOR FOUNDATION DETAILS.
2. SEE SD-4904 FOR ARM CONNECTION DETAILS
3. ALL STEEL MEMBERS AND ACCESSORIES SHALL BE HOT DIP GALVANIZED AFTER FABRICATION WITH HEAVY DUTY EXTERIOR PAINT FINISH.

PENINSULA CORRIDOR JOINT POWERS BOARD

STANDARD DRAWINGS

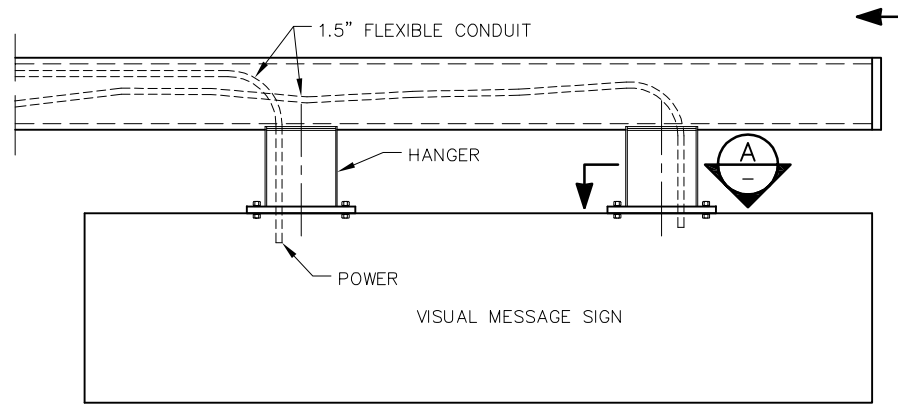
| REV | DATE | BY | CHK | APP | DESCRIPTION |
|-----|------|----|-----|-----|-------------|
| | | | | | |
| | | | | | |
| | | | | | |
| | | | | | |

APPROVED BY:
Bernard Anagnostis *Steph Chen*
 ENGINEERING MANAGER DEPUTY DIRECTOR OF ENGINEERING

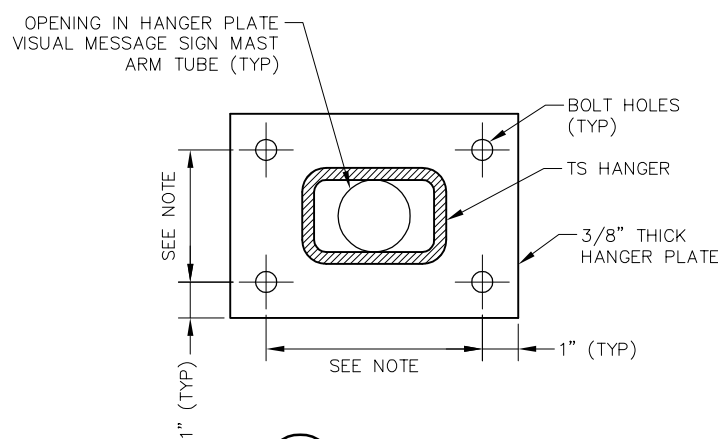


**STATION COMMUNICATIONS
COMMUNICATION EQUIPMENT
VISUAL MESSAGE SIGN BOARD
POLE MOUNT**

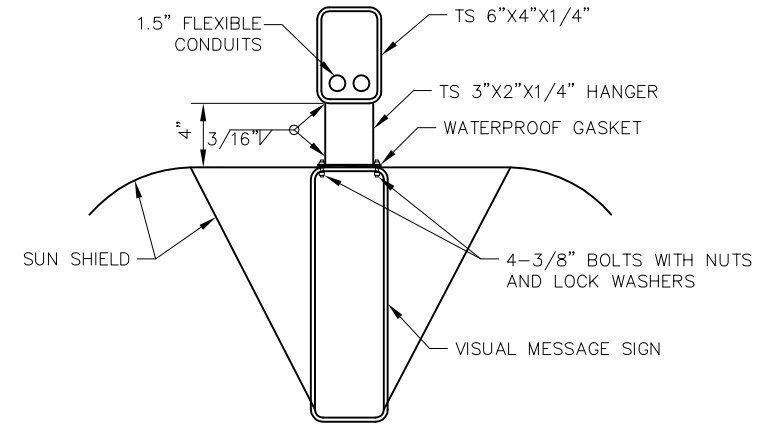
| | |
|---------------------------|----------------|
| CADD FILE NO.: SD-4903 | |
| REV 0 | DATE 093011 |
| STATION COMMS | |
| STANDARD NO.: SD-4903 | |



1 VMS BOARD MOUNTING DETAIL
SD-4903 NTS

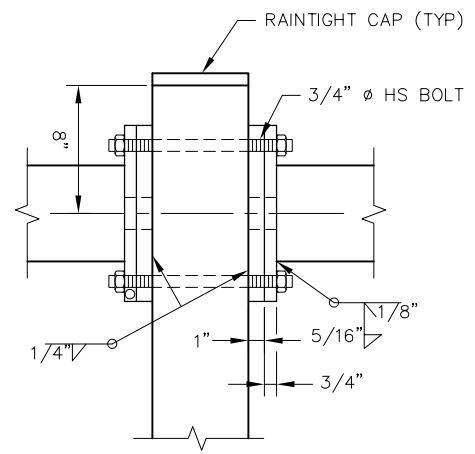


A SECTION
NTS

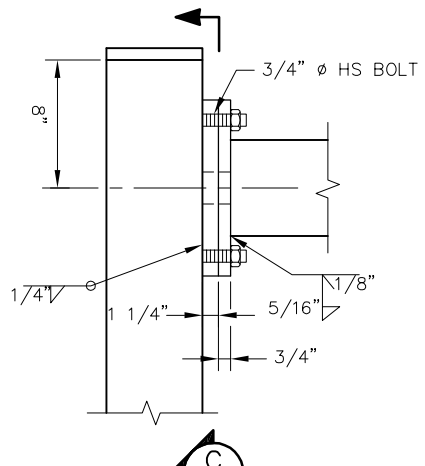


B SECTION
NTS

NOTE: VERIFY WITH THE VMS MANUFACTURER THE BOLT CENTERS, BOLT DIAMETERS AND HANGERS

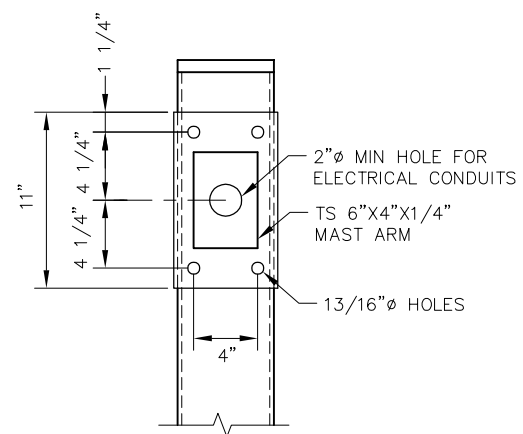


TWO SIDES



ONE SIDE

2 ARM CONNECTION DETAILS
SD-3403 NTS



C SECTION
NTS

| REV | DATE | BY | CHK | APP | DESCRIPTION | REV | DATE | BY | CHK | APP | DESCRIPTION |
|-----|------|----|-----|-----|-------------|-----|------|----|-----|-----|-------------|
| | | | | | | | | | | | |

PENINSULA CORRIDOR JOINT POWERS BOARD

APPROVED BY:




ENGINEERING MANAGER DEPUTY DIRECTOR OF ENGINEERING

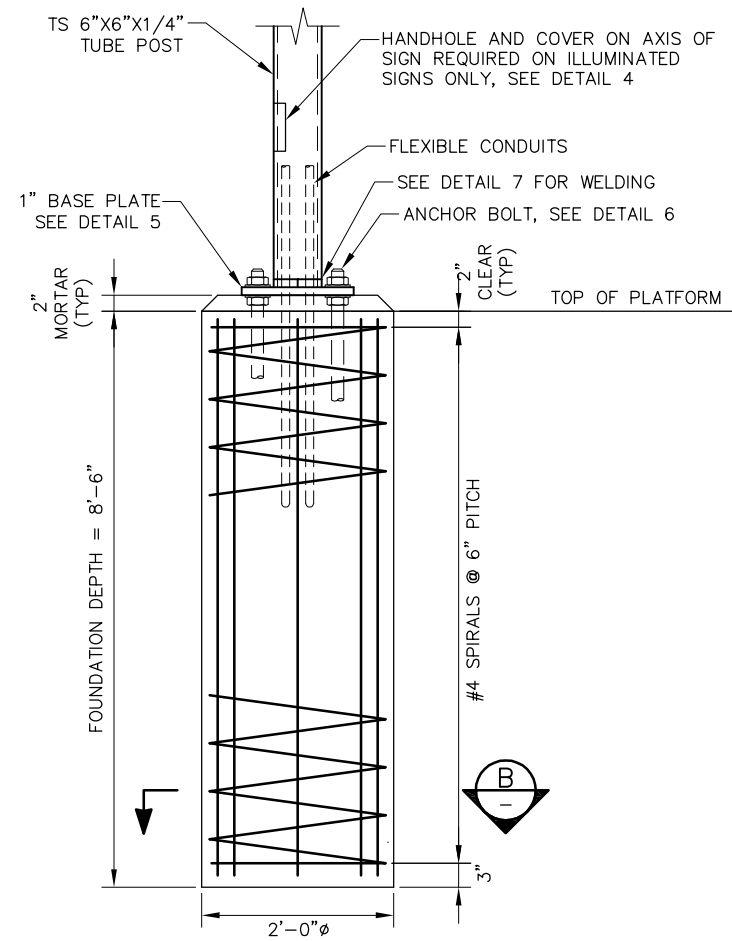


1250 San Carlos Avenue
 San Carlos, CA 94070

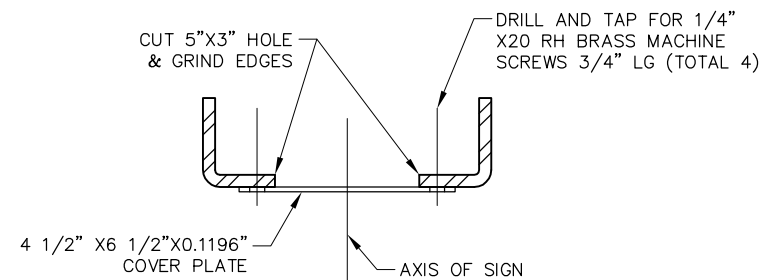
STANDARD DRAWINGS

**STATION COMMUNICATIONS
 COMMUNICATION EQUIPMENT
 VMS BOARD POLE MOUNTING DETAILS
 SHEET 1 OF 2**

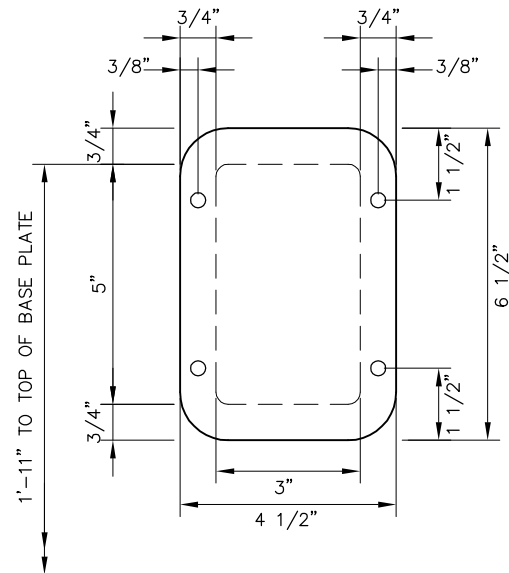
| | |
|---------------------------|----------------|
| CADD FILE NO.: SD-4904 | |
| REV 0 | DATE 093011 |
| STATION COMMS | |
| STANDARD NO.: SD-4904 | |



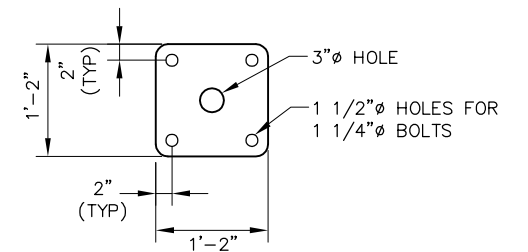
3 VMS BOARD FOUNDATION
SD-4903 NTS



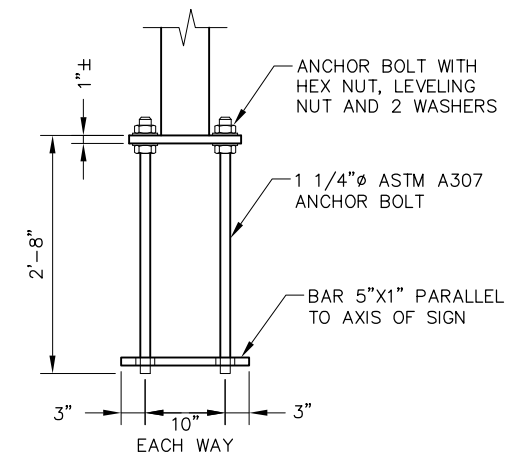
NOTE:
FACE HANDHOLE AWAY FROM TRAVELED WAY.



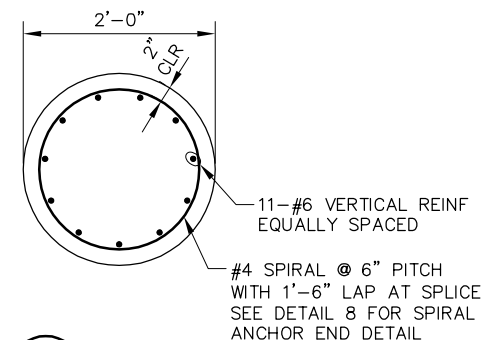
4 HANDHOLE DETAIL
NTS



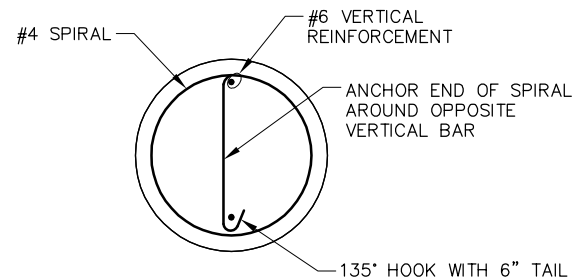
5 BASE PLATE DETAIL
NTS



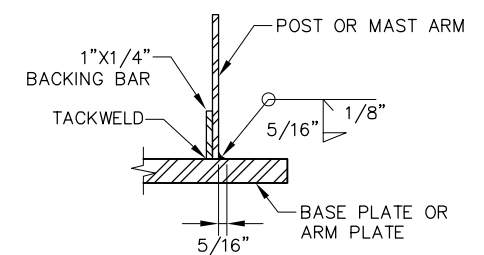
6 ANCHOR BOLT DETAIL
NTS



A SECTION
NTS



8 SPIRAL ANCHOR END DETAIL
NTS



7 WELDING DETAIL
NTS

PENINSULA CORRIDOR JOINT POWERS BOARD

STANDARD DRAWINGS

CADD FILE NO.: SD-4905

APPROVED BY:

Bernard Anzures *Steph Chen*
ENGINEERING MANAGER DEPUTY DIRECTOR OF ENGINEERING



1250 San Carlos Avenue
San Carlos, CA 94070

STATION COMMUNICATIONS
COMMUNICATION EQUIPMENT
VMS BOARD POLE MOUNTING DETAILS
SHEET 2 OF 2

REV 0 DATE 093011

STATION COMMS

STANDARD NO.: SD-4905

| REV | DATE | BY | CHK | APP | DESCRIPTION |
|-----|------|----|-----|-----|-------------|
| | | | | | |
| | | | | | |
| | | | | | |
| | | | | | |

