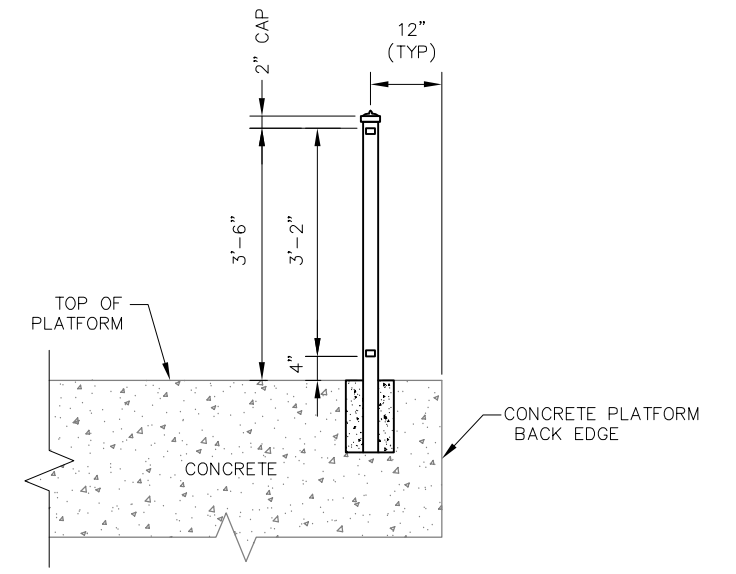
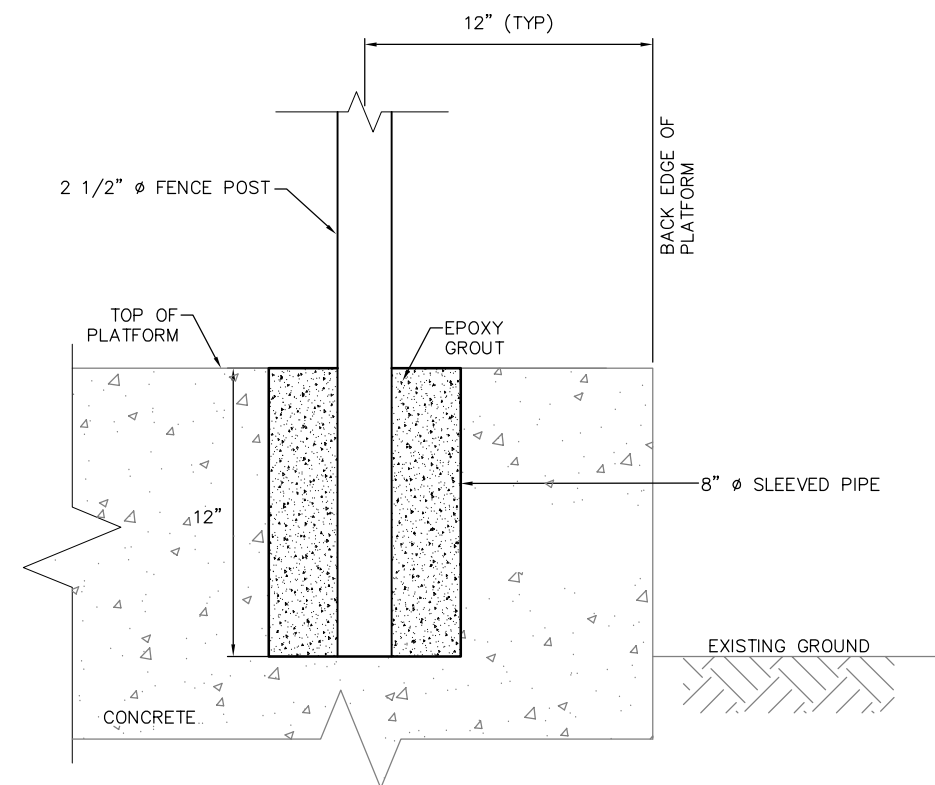


10-FT RAILING PANEL



SECTION A



**DETAIL 1
FENCE POST ANCHORAGE**

NOTES:

1. STEEL SHALL BE MILD STEEL
2. ALL METAL SHALL BE HOT DIP GALVANIZED AND BLACK POWDER COAT FINISH
3. ALL NUTS, AND WASHERS SHALL BE GALVANIZED
4. THIS RAILING IS FOR INSTALLATION AT BACK EDGE OF PLATFORM AND ALONG THE PEDESTRIAN CROSSING WALKWAY PATHS. SEE SD-7004 FOR LAYOUT
5. POST SHALL BE SQUARE TUBE. NO SUBSTITUTE.

REV	DATE	BY	CHK	APP	DESCRIPTION

PENINSULA CORRIDOR JOINT POWERS BOARD

APPROVED BY:

ENGINEERING MANAGER

DEPUTY DIRECTOR OF ENGINEERING

1250 San Carlos Avenue
San Carlos, CA 94070

STANDARD DRAWINGS		CADD FILE NO.:
STATIONS AND FACILITIES FENCING AND RAILING PLATFORM EDGE AND PEDESTRIAN CROSSING WALKWAYS		SD-3602
		REV 0 DATE 093011
STATIONS & FACILITIES		STANDARD NO.:
SD-3602		SD-3602