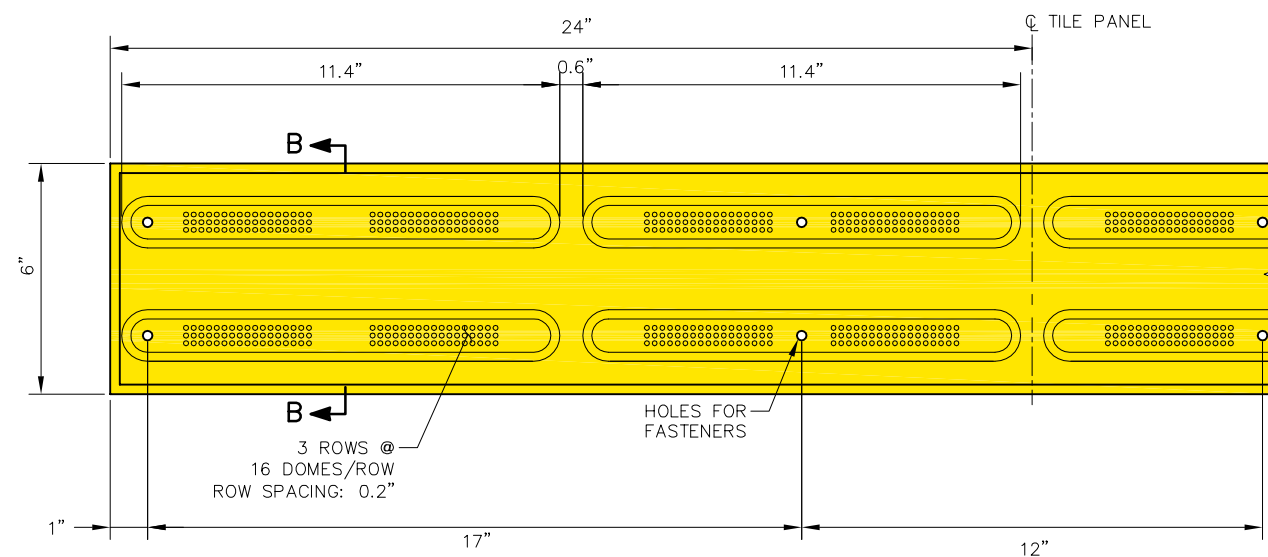
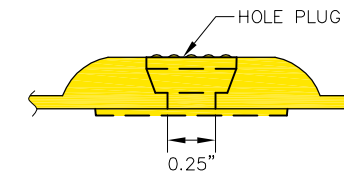
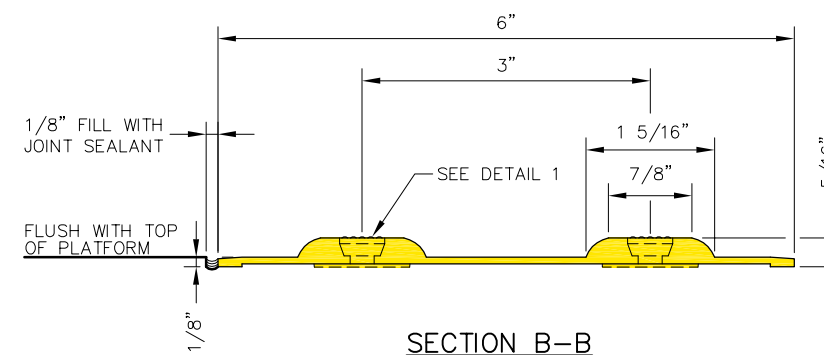


DETECTABLE GUIDE TACTILE ON STATION PLATFORM



DETECTABLE GUIDE TACTILE PANEL



FASTENER DETAIL
1
DETAIL

NOTE:

DIMENSIONS ARE NOMINAL. SUBMIT SAMPLES FOR ENGINEER'S APPROVAL.


REV	DATE	BY	CHK	APP	DESCRIPTION	REV	DATE	BY	CHK	APP	DESCRIPTION

PENINSULA CORRIDOR JOINT POWERS BOARD

APPROVED BY:

Bernard Anagnostis *Steph Chen*

ENGINEERING MANAGER DEPUTY DIRECTOR OF ENGINEERING



1250 San Carlos Avenue
San Carlos, CA 94070

STANDARD DRAWINGS

STATIONS AND FACILITIES
TACTILES, STRIPING AND MARKINGS

DETECTABLE GUIDE TACTILES

CADD FILE NO.: SD-3501	
REV 0	DATE 093011
STATIONS & FACILITIES	
STANDARD NO.: SD-3501	