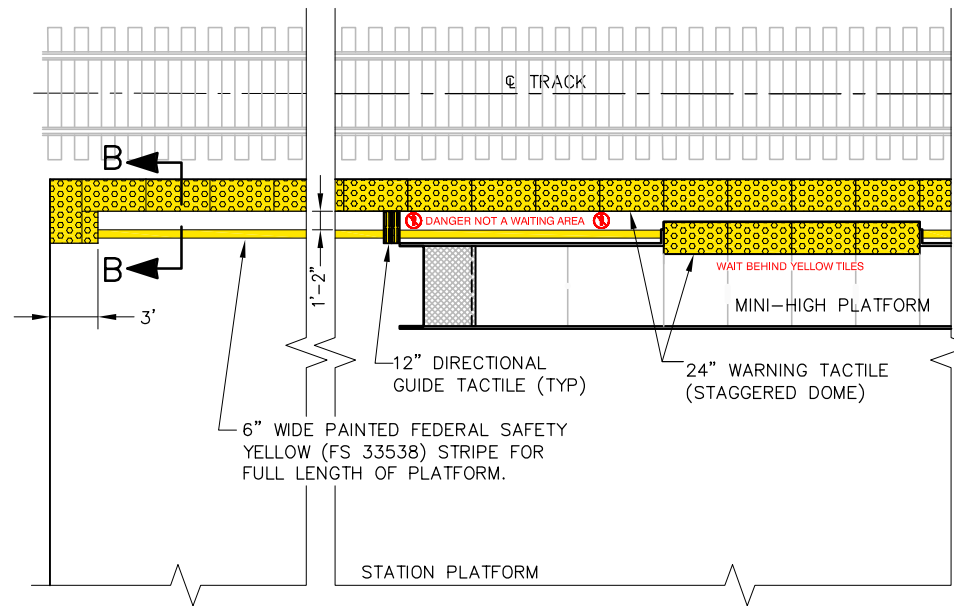
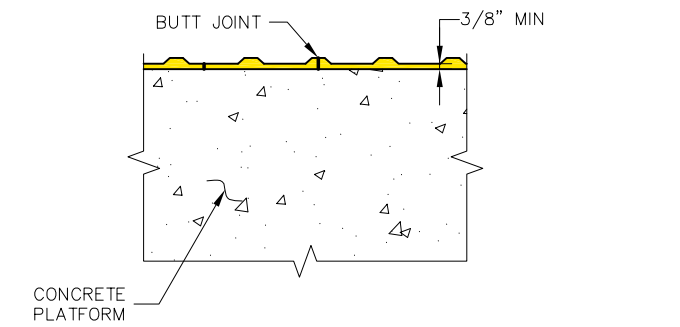


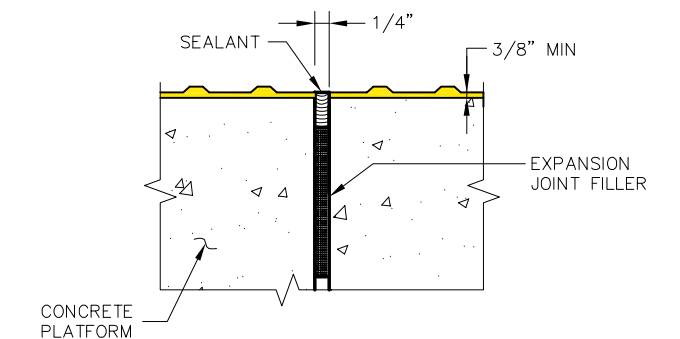
WARNING TACTILE – PEDESTRIAN CROSSING AT VEHICULAR CROSSING AND STATION PEDESTRIAN CROSSING (IN-LINE DOME)



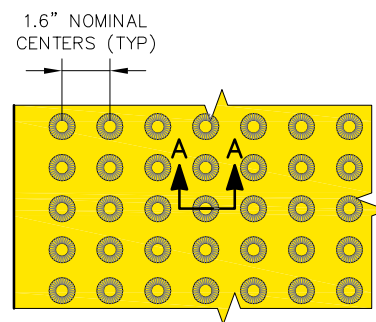
WARNING TACTILE – EDGES OF STATION PLATFORM & MINI-HIGH PLATFORMS (STAGGERED DOME)



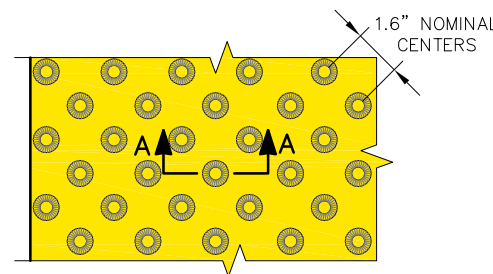
WARNING TACTILE JOINTS



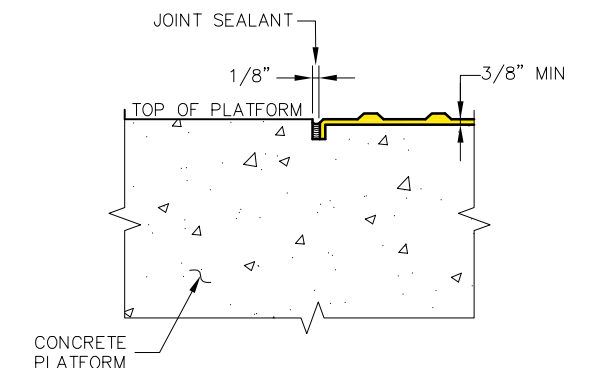
WARNING TACTILE AT EXPANSION JOINTS



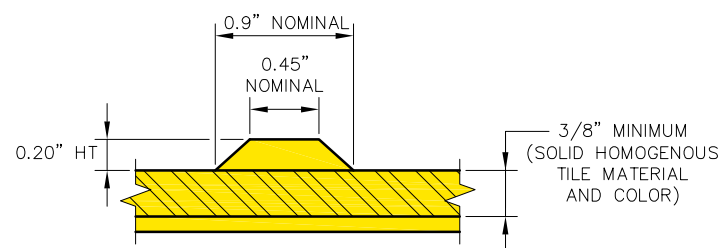
TRUNCATED DOME (IN-LINE)



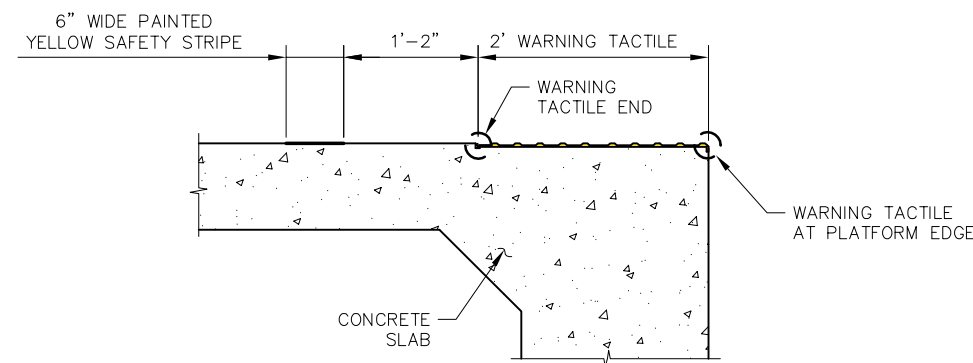
TRUNCATED DOME (STAGGERED)



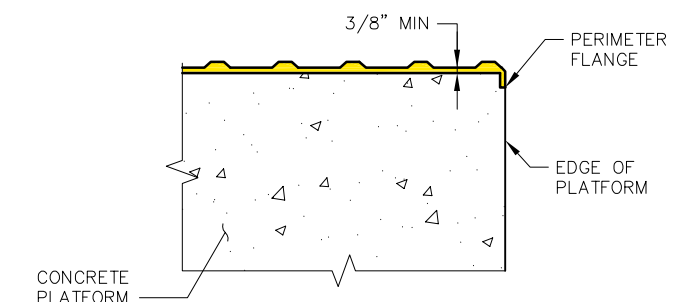
WARNING TACTILE END



SECTION A-A



SECTION B-B





WARNING TACTILE AT PLATFORM EDGE


REV	DATE	BY	CHK	APP	DESCRIPTION	REV	DATE	BY	CHK	APP	DESCRIPTION

PENINSULA CORRIDOR JOINT POWERS BOARD

APPROVED BY:

ENGINEERING MANAGER DEPUTY DIRECTOR OF ENGINEERING



1250 San Carlos Avenue
 San Carlos, CA 94070

STANDARD DRAWINGS		CADD FILE NO.:
STATIONS AND FACILITIES TACTILES, STRIPING AND MARKINGS		SD-3500
REV	DATE	
0	093011	
STATIONS & FACILITIES		
STANDARD NO.:		SD-3500