

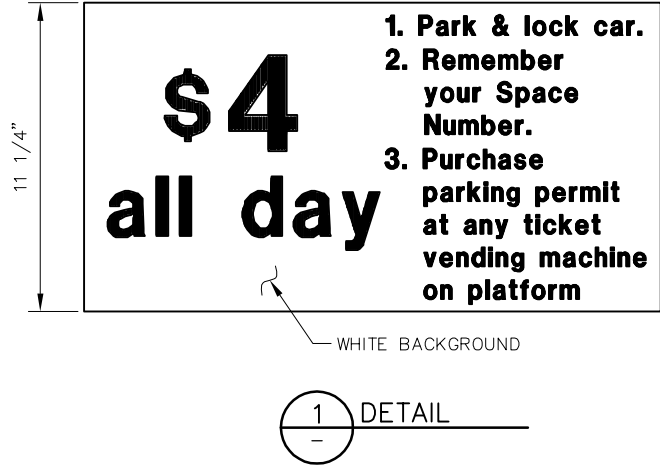
PARKING TICKET INFORMATION
(PK-1)



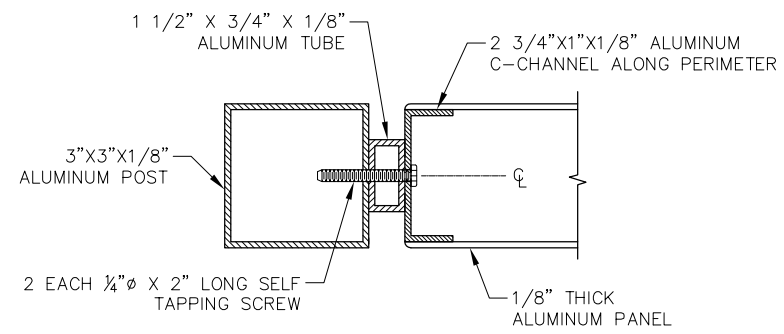
TIGER COAT DRYLAC
POWDER COATING
RAL 3011 (MAROON)

WHITE ALUM

LOT OPERATOR INFORMATION
(PK-2)



1
-
DETAIL






MOUNTING DETAIL
2
-
DETAIL

REV	DATE	BY	CHK	APP	DESCRIPTION	REV	DATE	BY	CHK	APP	DESCRIPTION

PENINSULA CORRIDOR JOINT POWERS BOARD

APPROVED BY:



1250 San Carlos Avenue
San Carlos, CA 94070

STANDARD DRAWINGS

STATIONS AND FACILITIES SIGNAGE
PARKING SIGNS
PUBLIC PARKING

CADD FILE NO.: SD-3380
 REV 0 DATE 093011
 STATIONS & FACILITIES
 STANDARD NO.: SD-3380