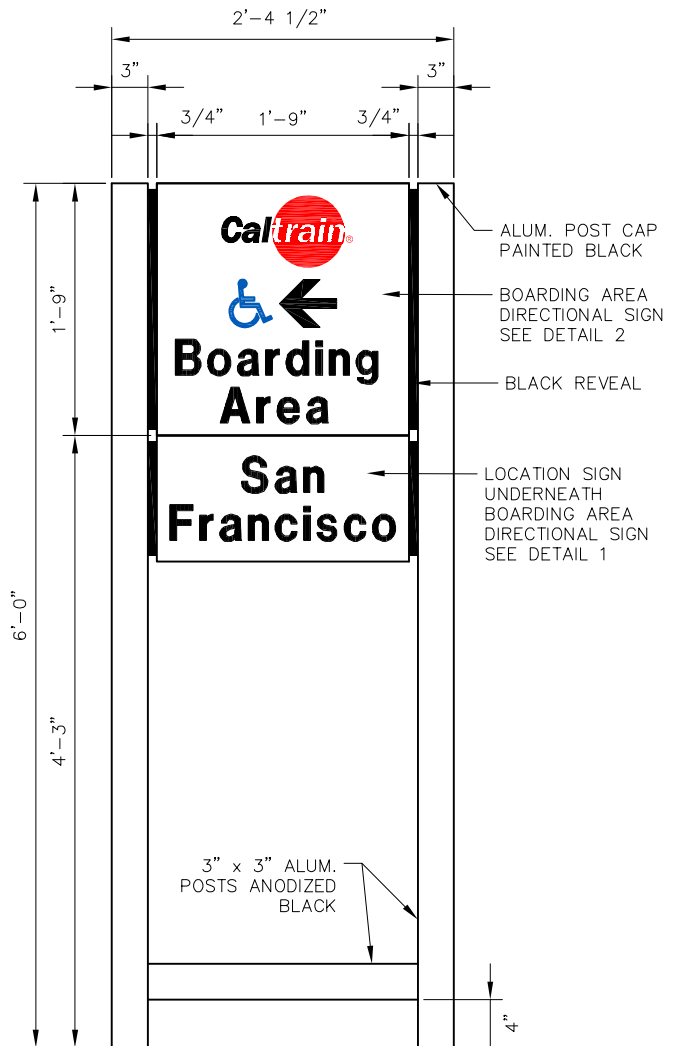
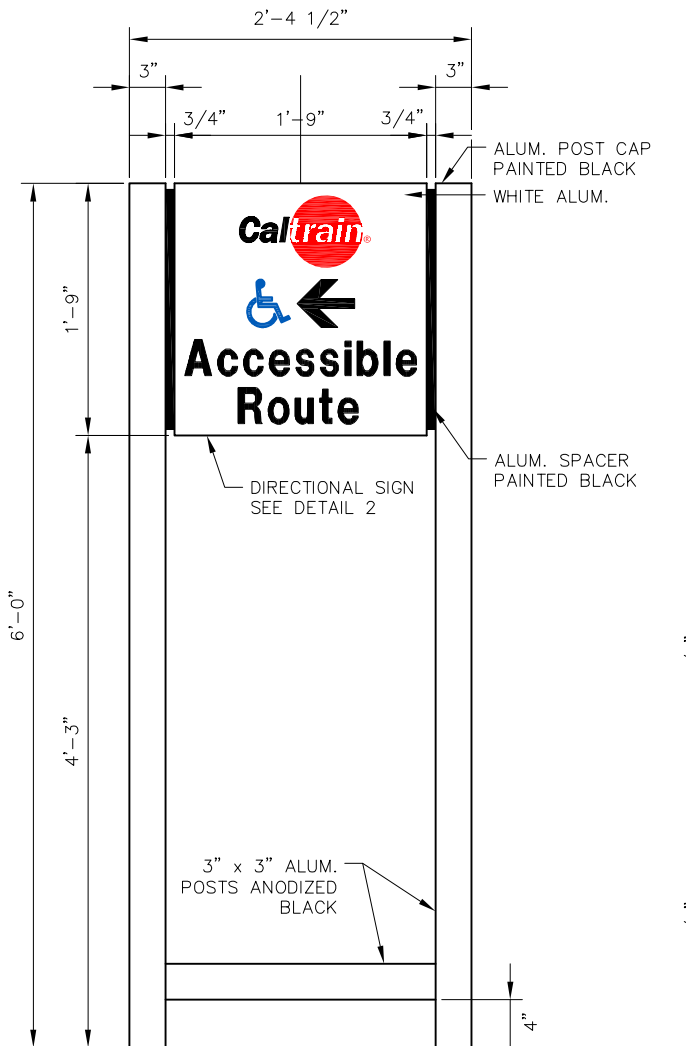


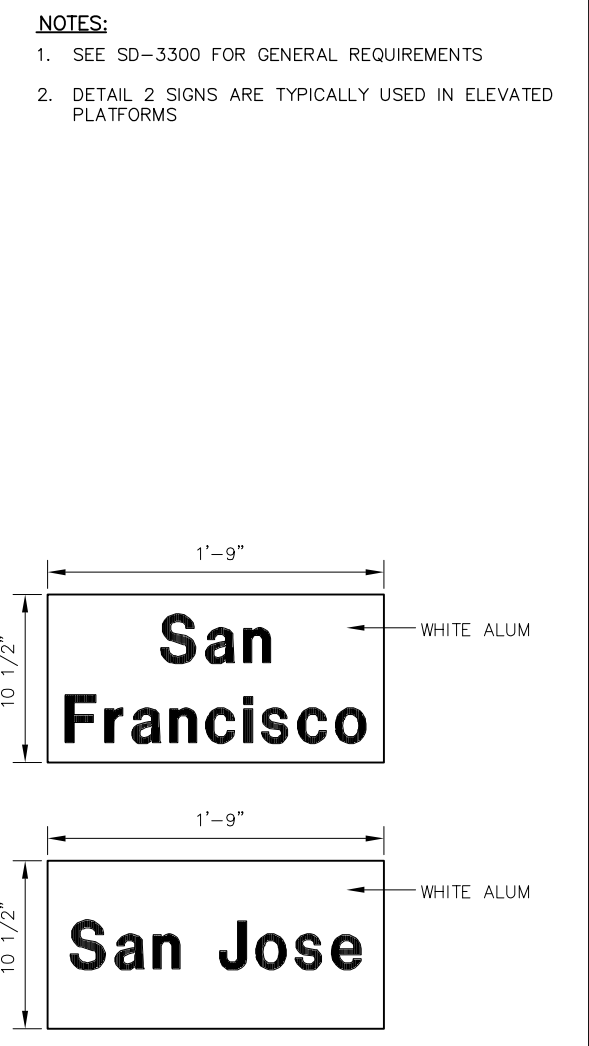
**VEHICULAR DIRECTIONAL (WF-2)**



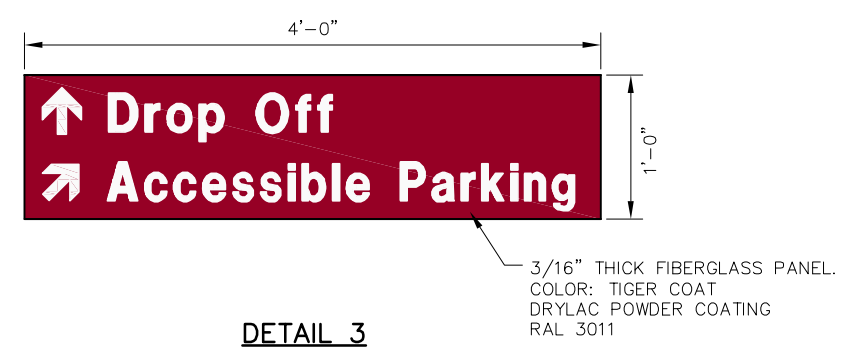
**BOARDING AREA DIRECTIONAL (WF-3A SINGLE MOUNTING)**



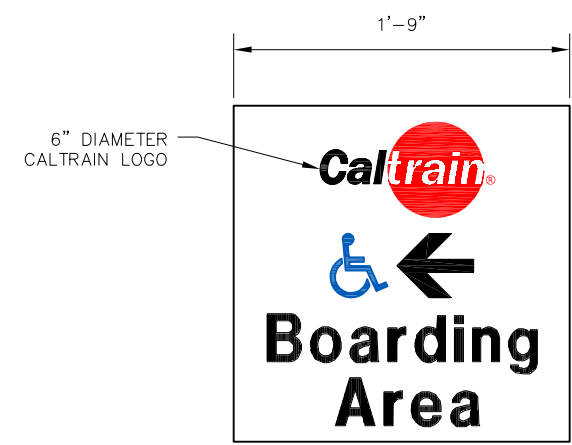
**EXTERIOR PATHWAY DIRECTIONAL (WF-3B)**



**DETAIL 1**



**DETAIL 3**

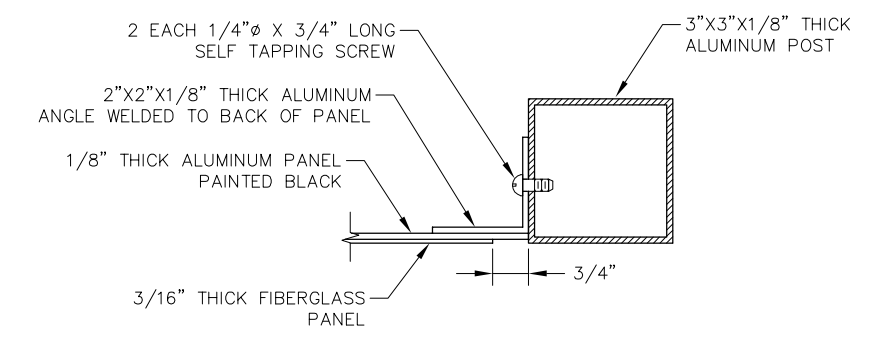


**TYPE 1 ACCESSIBLE ROUTE**



**TYPE 2 BOARDING AREA**

**DETAIL 2 DIRECTIONAL SIGNS**



**MOUNTING DETAIL**



**4 DETAIL**

- NOTES:**
- SEE SD-3300 FOR GENERAL REQUIREMENTS
  - DETAIL 2 SIGNS ARE TYPICALLY USED IN ELEVATED PLATFORMS

REV	DATE	BY	CHK	APP	DESCRIPTION	REV	DATE	BY	CHK	APP	DESCRIPTION

**PENINSULA CORRIDOR JOINT POWERS BOARD**

APPROVED BY:






1250 San Carlos Avenue  
San Carlos, CA 94070

**STANDARD DRAWINGS**

**STATIONS AND FACILITIES SIGNAGE ACCESS AND PARKING DIRECTIONAL SIGNS**

GADD FILE NO.: SD-3361

REV 0 DATE 093011

STATIONS & FACILITIES

STANDARD NO.: SD-3361